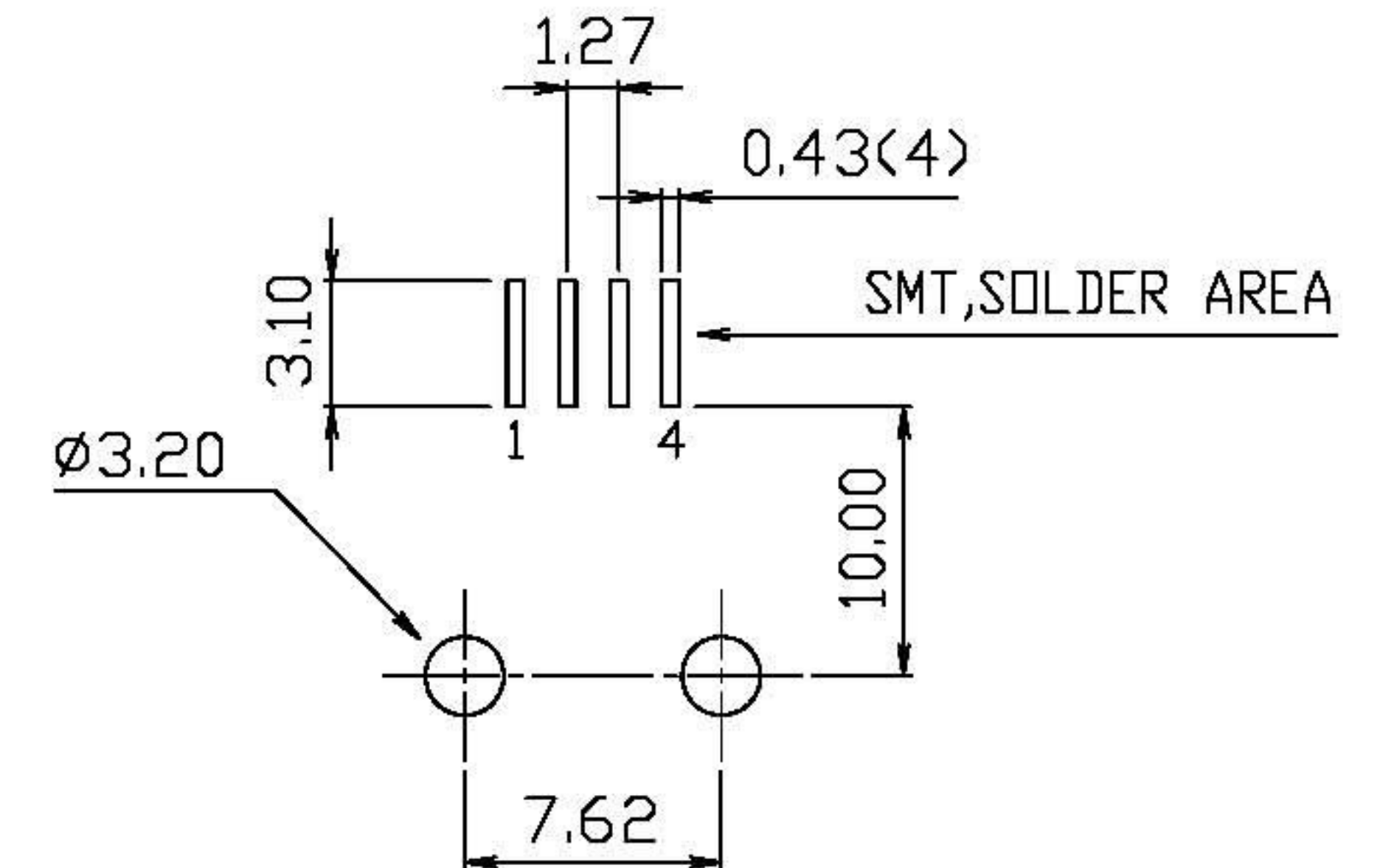
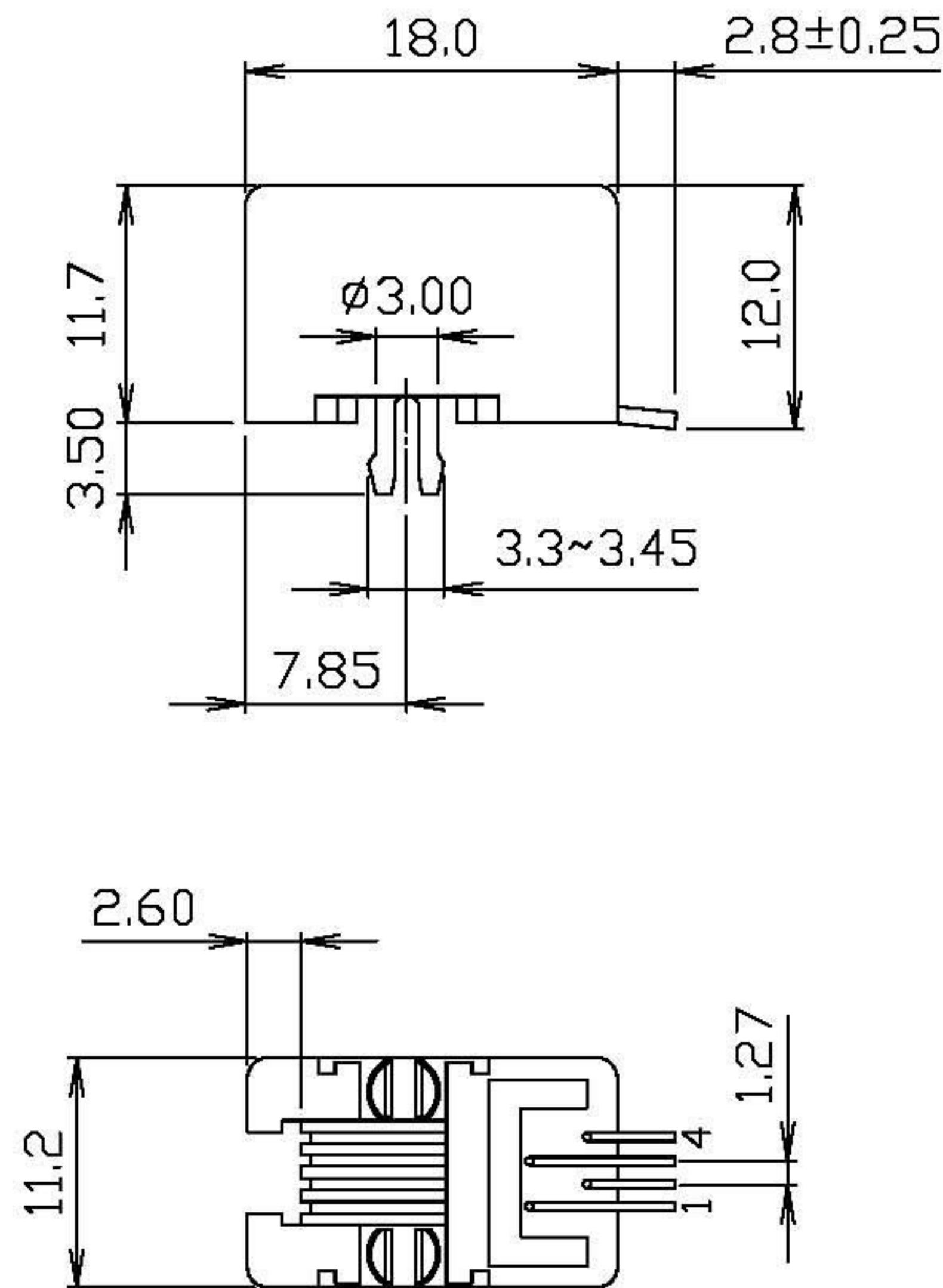
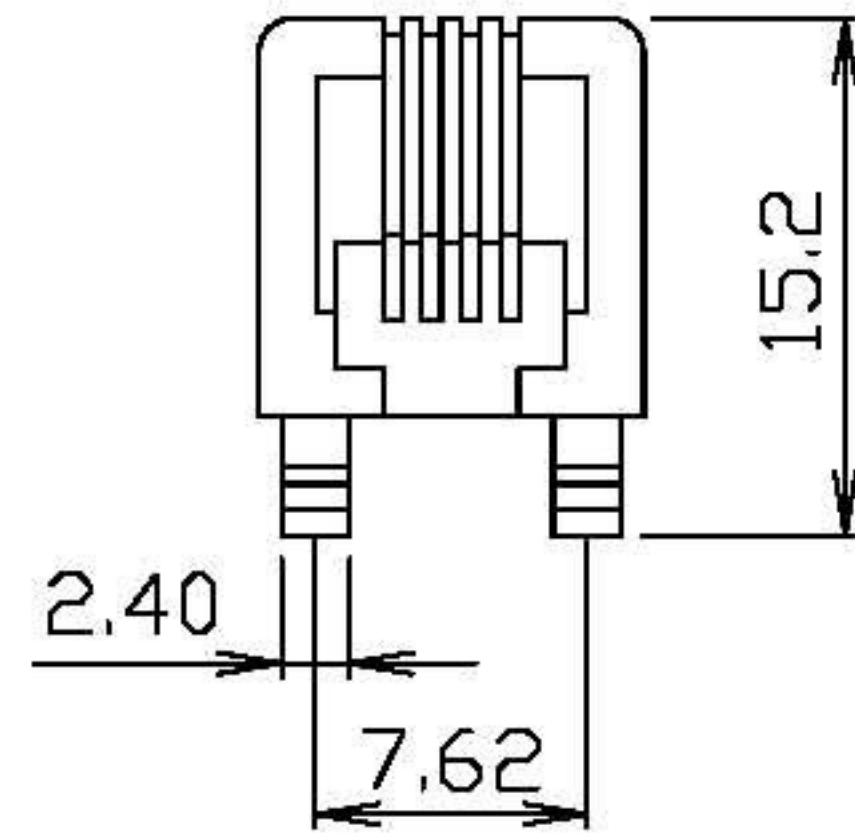


# RoHS Compliance



PCB LAYOUT Ref.

<b>E-YUNG ENTERPRISE CO., LTD.</b>				
TITLE		4POSITION, SIDE ENTRY, SMT TYPE, VERY LOW PROFILE, PCB JACK		
SCALE	SIZE	DWG.NO.	REV.	SHEET
		969301	4	1

DO NOT SCALE DRAWING	TOLERANCES UNLESS OTHERWISE NOTED	INCH	MM	DR. <i>CIAN.CI.LUO</i>	DATE JAN-08 '09
THIRD ANGLE PROJECTION	LINEAR	MM 00 ± .01 000 ± .005 0000 ± .002	INCH 0.0 ± 0.25 0.00 ± 0.13 0.000 ± 0.05	CK'D <i>M.CHANG</i>	JAN-08 '09
MM INCH	ANGLE ± 0° 30'	RADII	+ 0.40 - 0.15	APP'D <i>W.J.YANG</i>	JAN-08 '09