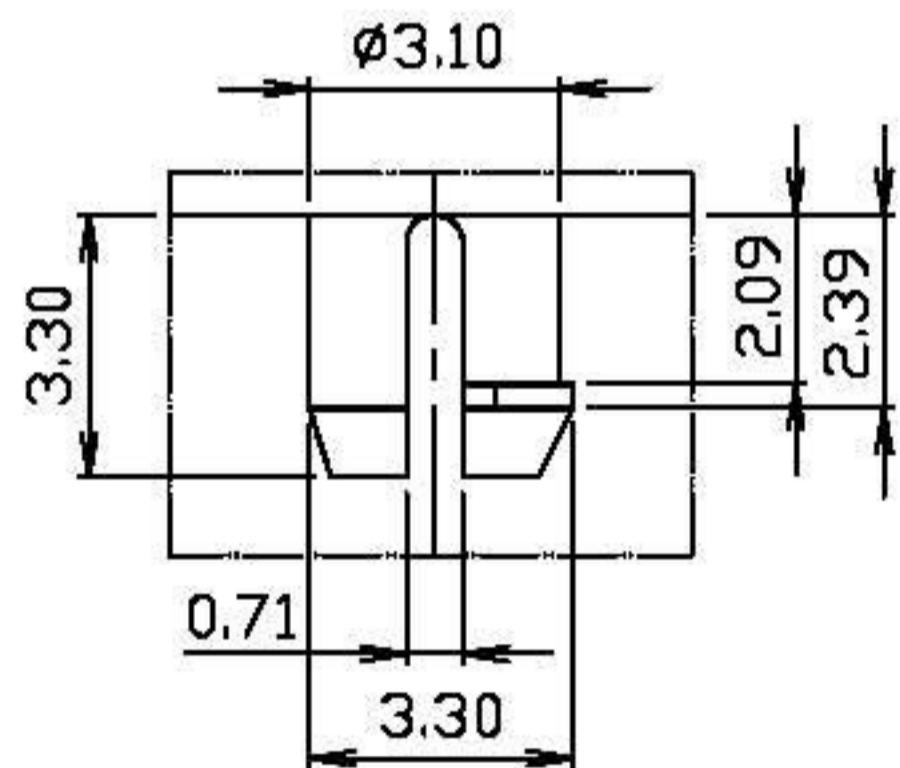
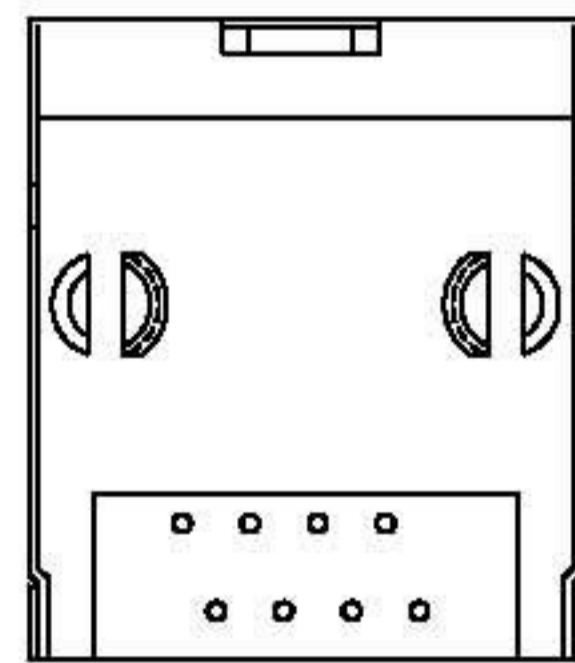


PC Board Layout



DETAIL X



DO NOT SCALE
DRAWING

TOLERANCES UNLESS
OTHERWISE NOTED

INCH

MM

DR.
M.L.HUANG

DATE
NOV-09 '00

E-YUNG ENTERPRISE CO., LTD.

THIRD ANGLE PROJECTION

LINEAR $\frac{\text{MM}}{\text{INCH}}$

$00 \pm .01$
 $000 \pm .005$
 $0000 \pm .002$

0.0 ± 0.25
 0.00 ± 0.13
 0.000 ± 0.05

CK'D
M.CHANG

NOV-09 '00

TITLE
8 POSITION SHIELDED
LOW PROFILE SIDE ENTRY PCB JACK

MM
INCH

ANGLE $\pm 0^\circ 30'$

RADII

$+0.40$
 -0.15

APP'D
W.J.YANG

NOV-14 '00

SCALE SIZE DWG.NO.
968808

REV. SHEET
1 1