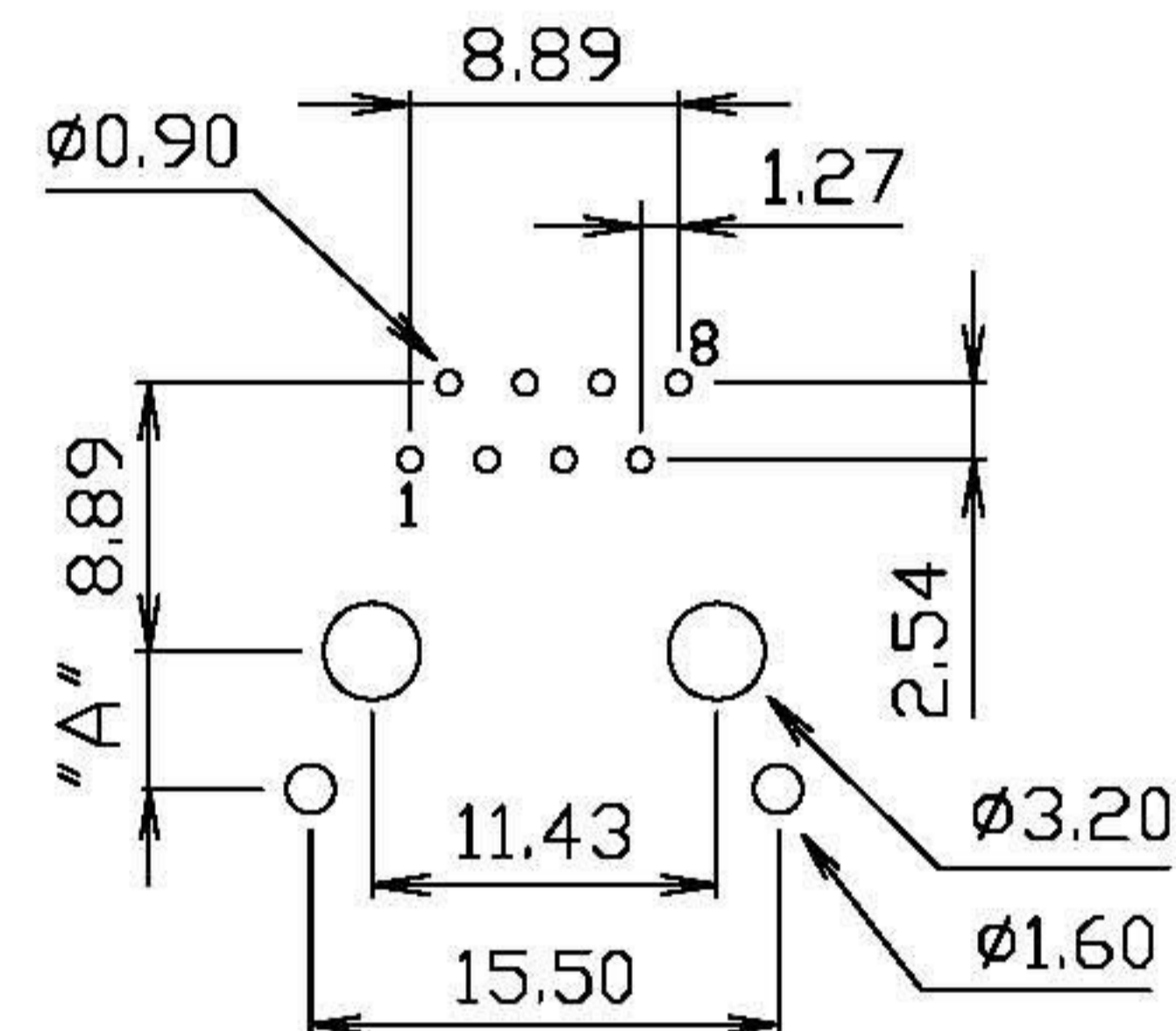
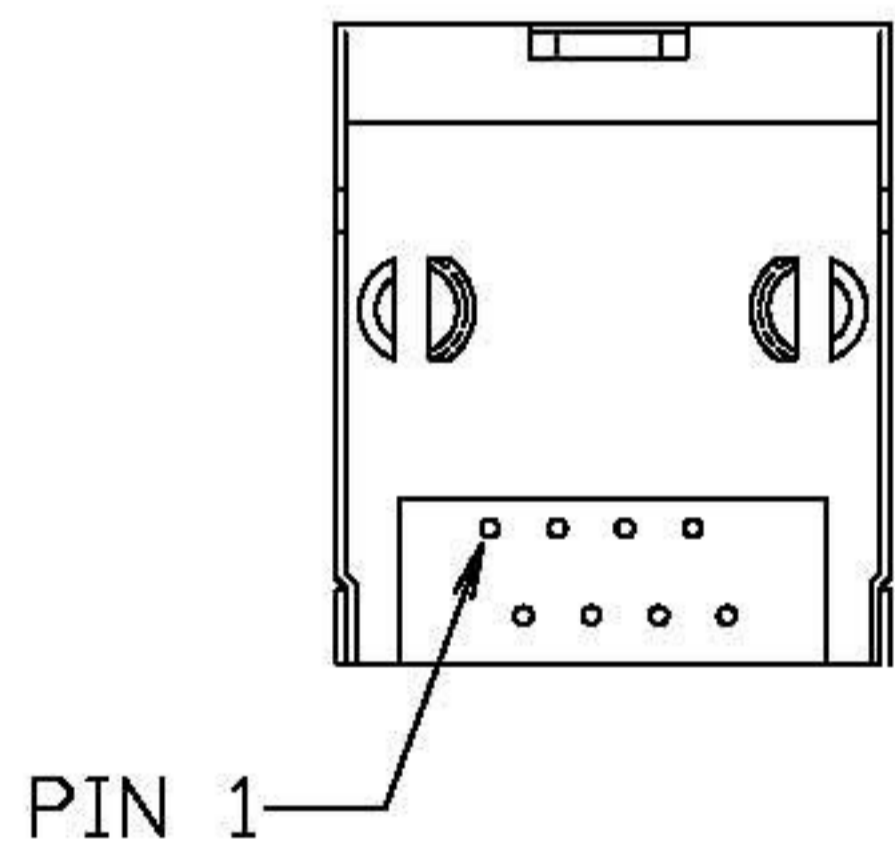
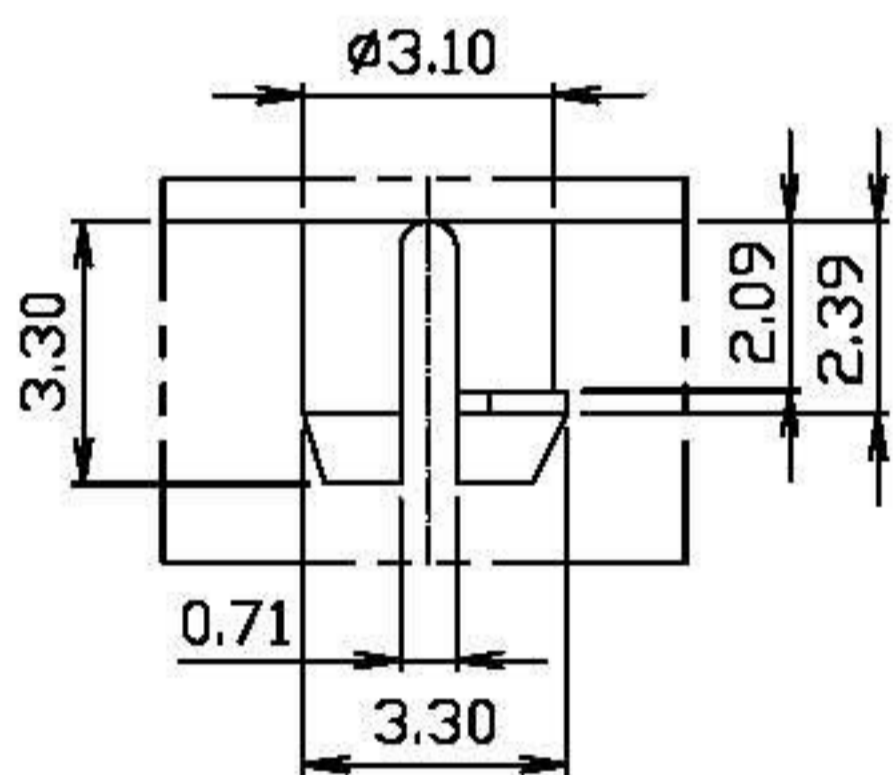
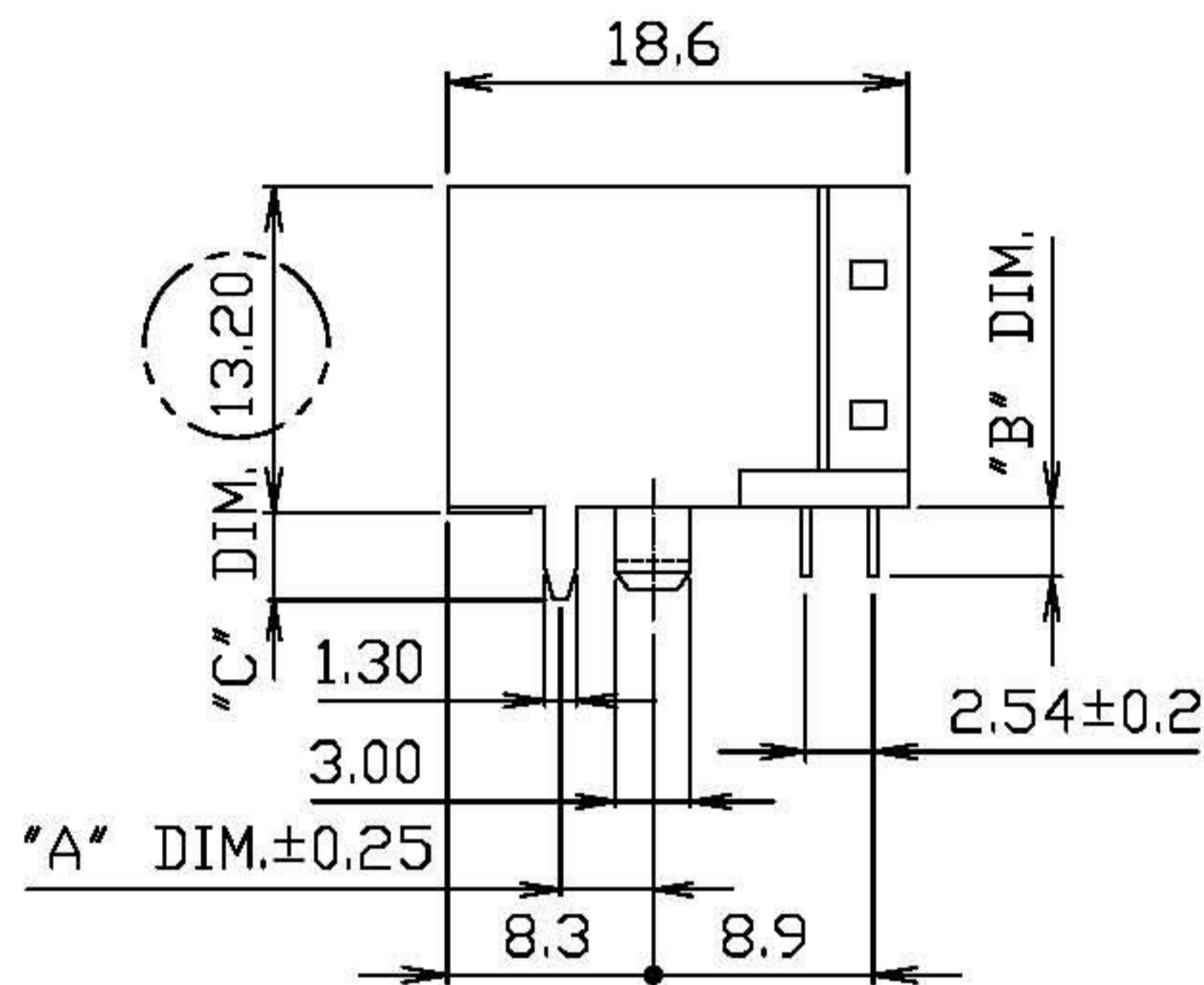
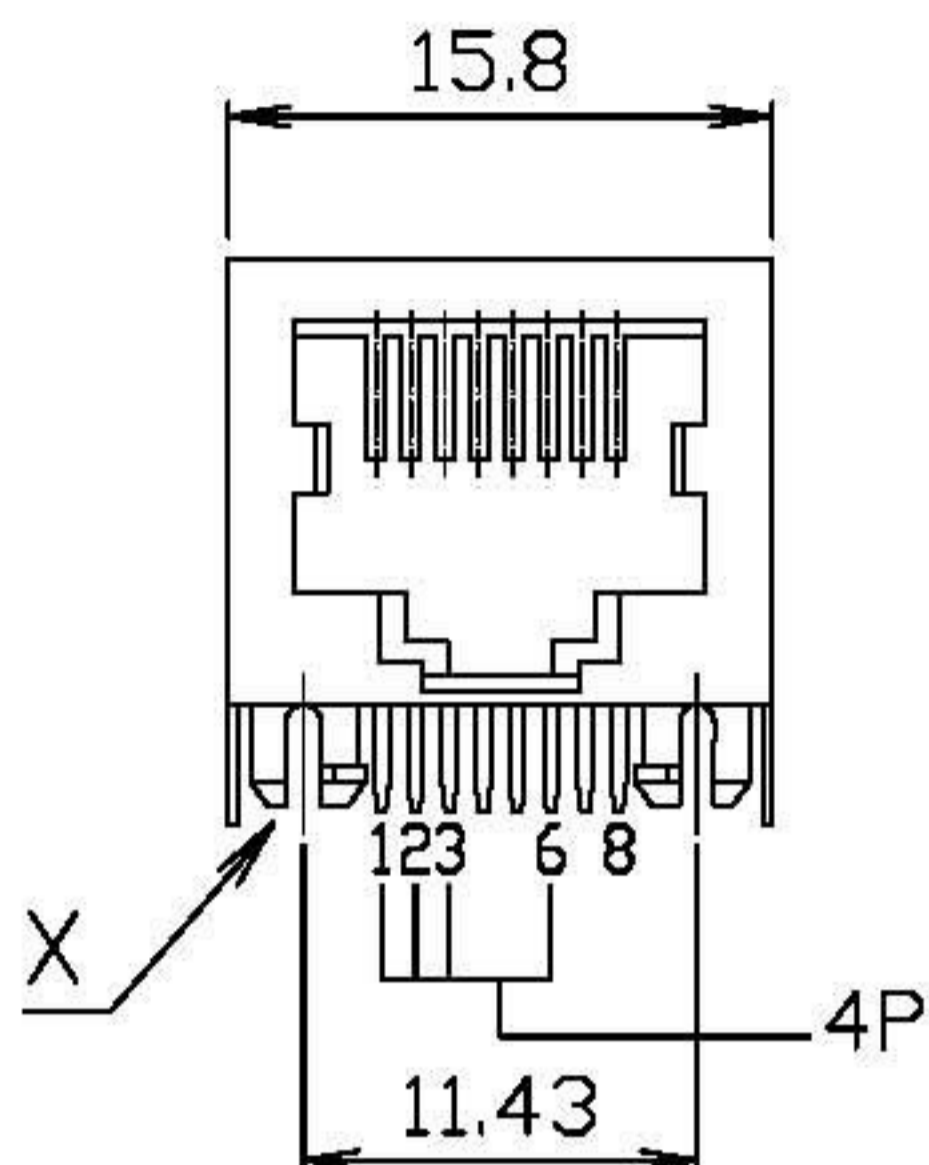
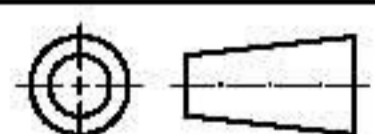


# RoHS Compliance



PCB LAYOUT  
Ref.

DO NOT SCALE DRAWING	TOLERANCES UNLESS OTHERWISE NOTED	INCH	MM	DR. <i>M.L.HUANG</i>	DATE OCT-10 '09
 THIRD ANGLE PROJECTION	LINEAR	$00 \pm .01$ $000 \pm .005$ $0000 \pm .002$	$0.0 \pm 0.25$ $0.00 \pm 0.13$ $0.000 \pm 0.05$	CK'D <i>M.CHANG</i>	OCT-10 '09
MM INCH	ANGLE $\pm 0^\circ 30'$	RADII	$+0.40$ $-0.15$	APP'D <i>W.J.YANG</i>	OCT-12 '09

**E-YUNG ENTERPRISE CO., LTD.**

TITLE: 8 POSITION SHIELDED  
LOW PROFILE SIDE ENTRY PCB JACK

SCALE	SIZE	DWG.NO.	REV.	SHEET
		968807	4	1