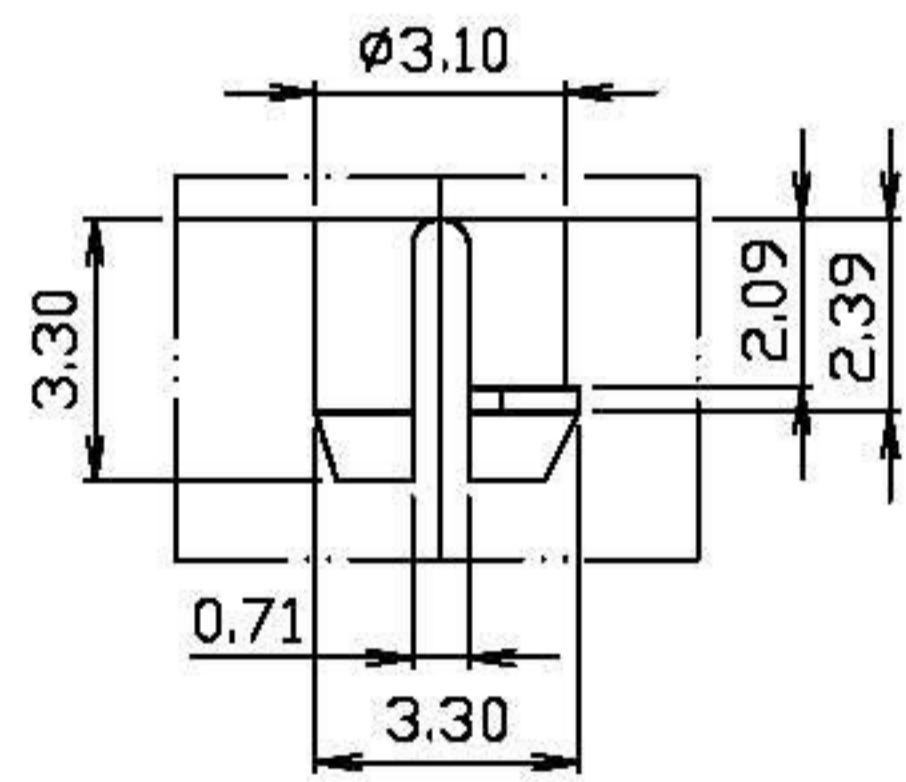
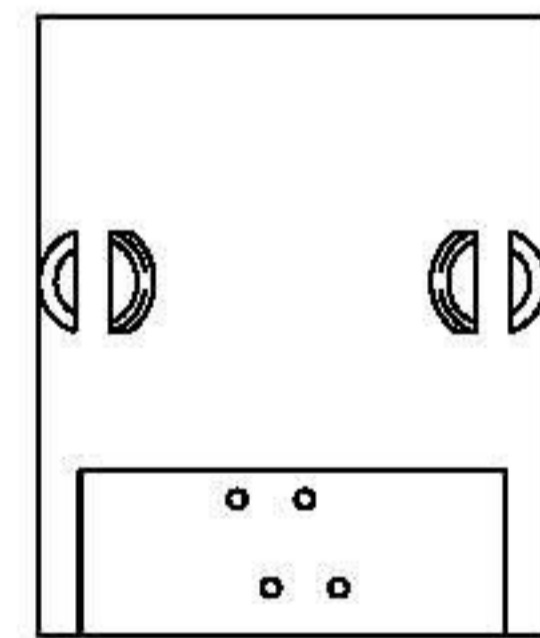
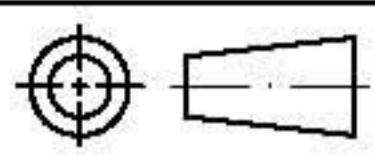


PC Board Layout



DETAIL X



DO NOT SCALE DRAWING	TOLERANCES UNLESS OTHERWISE NOTED	INCH	MM	DR. M.L.HUANG	DATE NOV-02 '00
 THIRD ANGLE PROJECTION	LINEAR	$00 \pm .01$ $000 \pm .005$ $0000 \pm .002$	0.0 ± 0.25 0.00 ± 0.13 0.000 ± 0.05	CK'D M.CHANG	NOV-02 '00
MM INCH	ANGLE $\pm 0^\circ 30'$	RADII	$+0.40$ -0.15	APP'D W.J.YANG	NOV-04 '00

E-YUNG ENTERPRISE CO., LTD.				
TITLE		4POSITION LOW PROFILE SIDE ENTRY PCB JACK		
SCALE	SIZE	DWG.NO.	REV.	SHEET
		968802	1	1