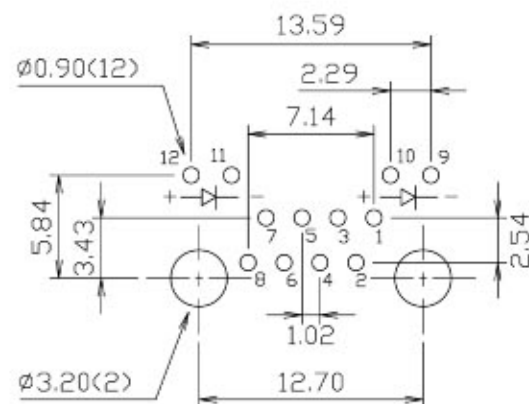
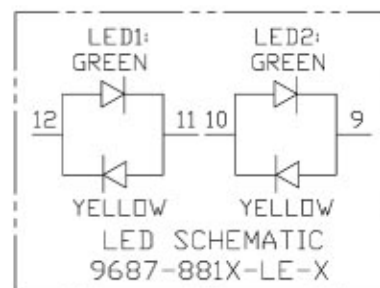
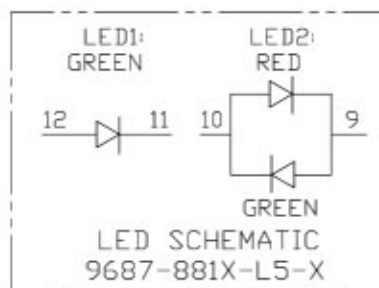
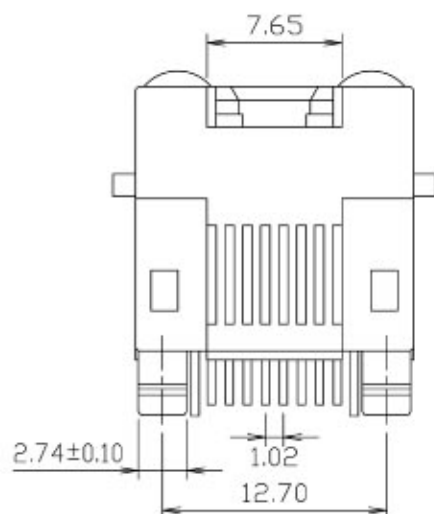
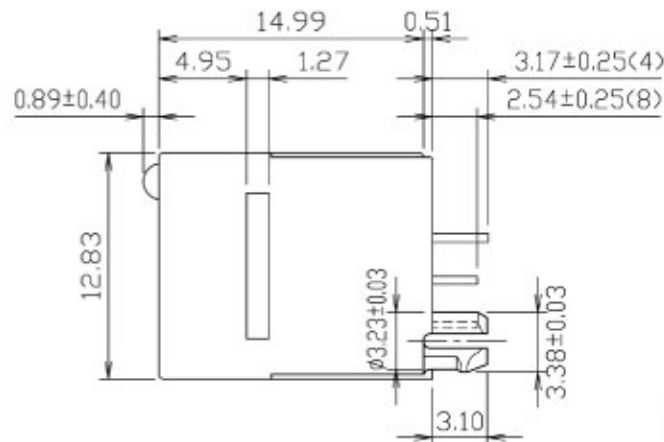
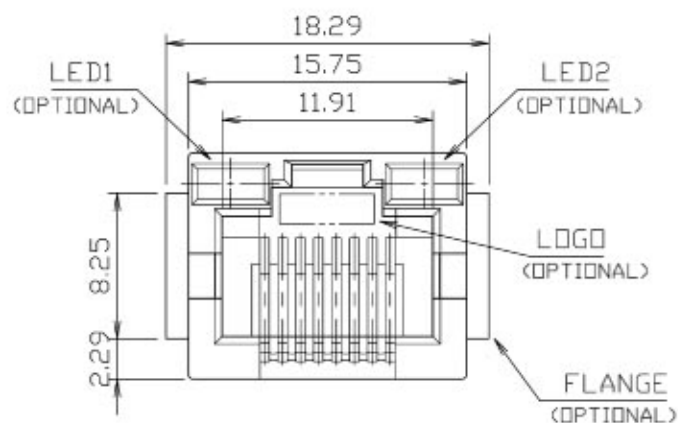


# RoHS Compliance



DO NOT SCALE DRAWING	TOLERANCES UNLESS OTHERWISE NOTED	INCH	MM	DR. CIAN.CILUO	DATE MAR-03 '10
THIRD ANGLE PROJECTION	LINEAR $\frac{\text{MM}}{\text{INCH}}$	00 ± .01 000 ± .005 0000 ± .002	0.0 ± 0.25 0.00 ± 0.13 0.000 ± 0.05	CK'D M.CHANG	MAR-03 '10
MM INCH	ANGLE ± 0° 30'	RADII	+ 0.40 - 0.15	APP'D W.J.YANG	MAR-04 '10

E-YUNG ENTERPRISE CO., LTD.

TITLE		RJ45 8 ROUND CONTACTS WITH LED'S JACK	
SCALE	SIZE	DWG.NO.	REV. SHEET
		968701	9 1