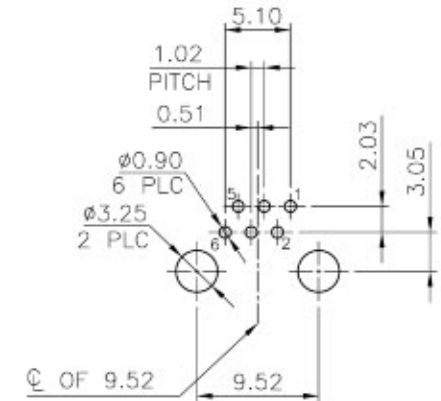
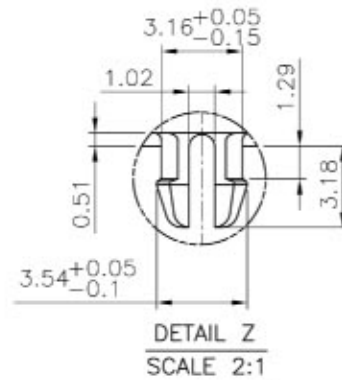
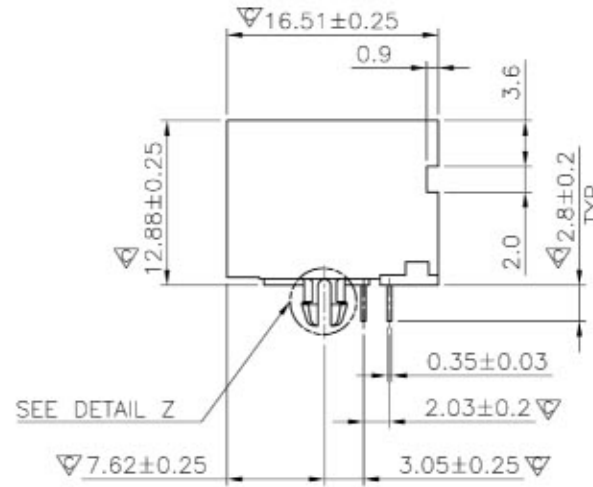
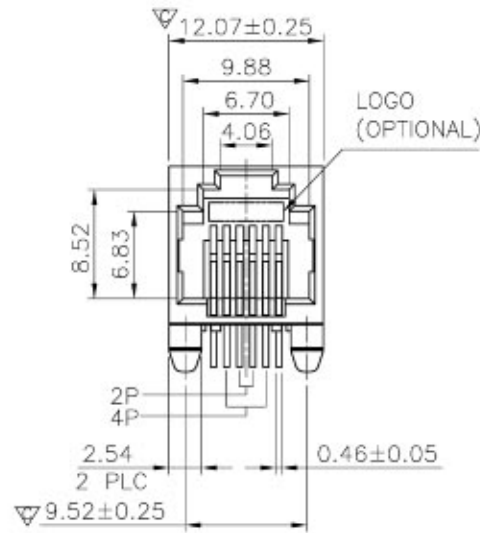
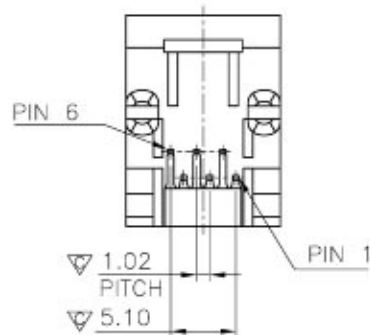


# RoHS Compliance



RECOMMENDED PCB LAYOUT  
RECOMMENDED PCB THICKNESS: 1.6mm  
TOLERANCE: ±0.05 (TOP VIEW)



THIS DRAWING IS A CONTROLLED DOCUMENT.  
DO NOT SCALE DRAWING.

DIMENSIONS: MM TOLERANCES UNLESS OTHERWISE SPECIFIED:

	0 PLC	± -
	1 PLC	± 0.25
	2 PLC	± 0.13
	3 PLC	± 0.05
	ANGLES	± -

THIRD ANGLE PROJECTION MATERIAL SEE NOTES FINISH SEE NOTES

DWN	A.HUANG	DATE	SEP-13-2010
CHK	M.CHANG	DATE	SEP-13-2010
APD	W.J.YANG	DATE	SEP-14-2010

## E-YUNG ENTERPRISE CO., LTD.

TITLE  
SINGLE PORTS, 6POSITION, FLAT PIN,  
L/P SIDE ENTRY PCB JACK

LTR	DESCRIPTION	DATE	APD
REVISIONS			

SIZE	CAUCE CODE	DRAWING NO
A4	-	968101
WEIGHT	- GRAMS Ref.	REV 9 SHEET 1