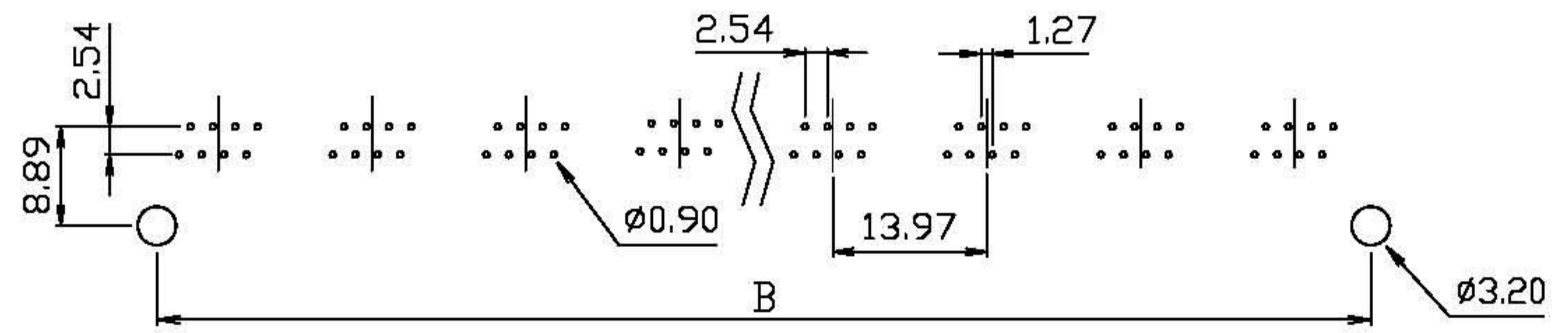
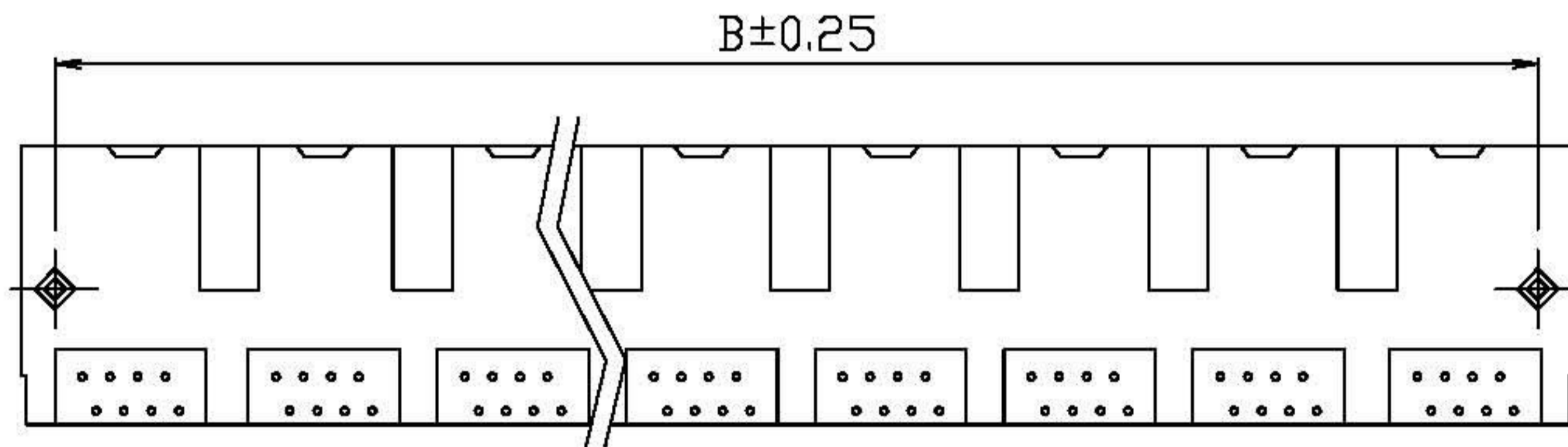
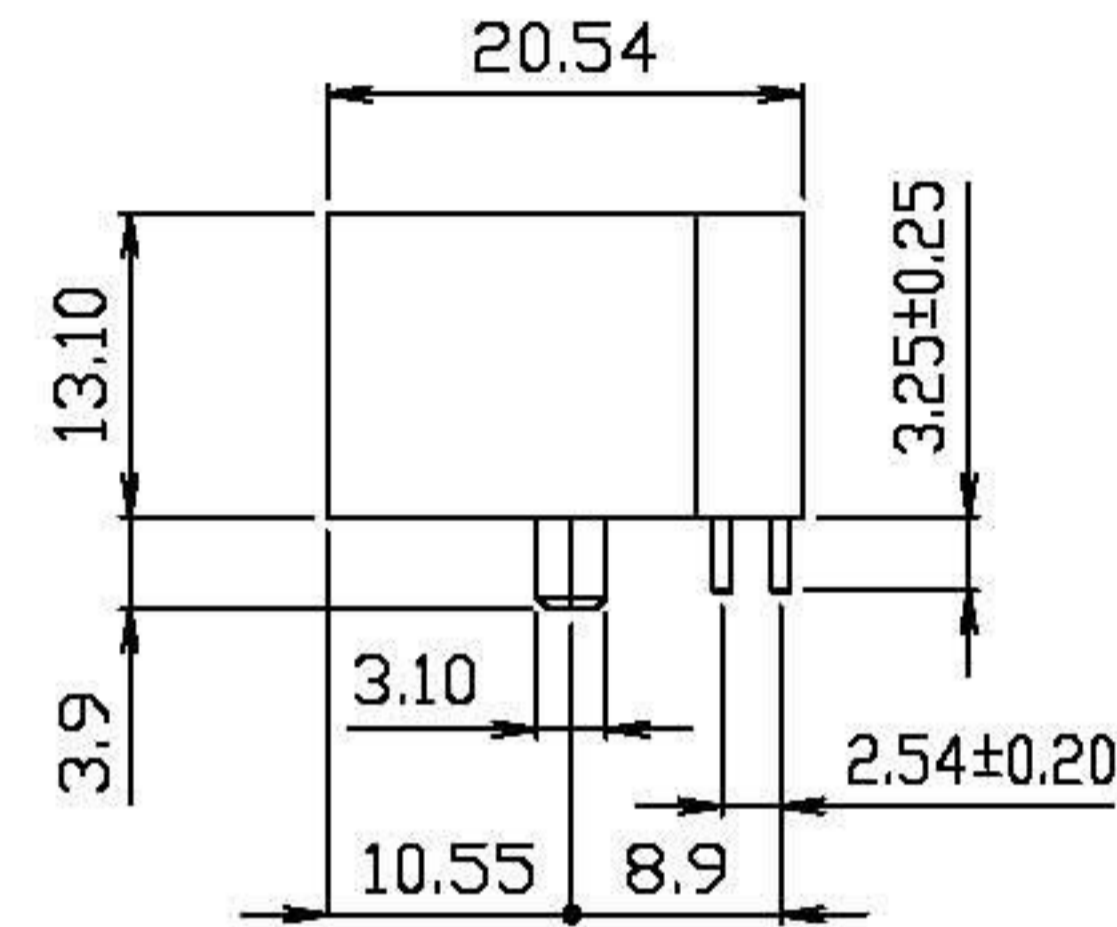
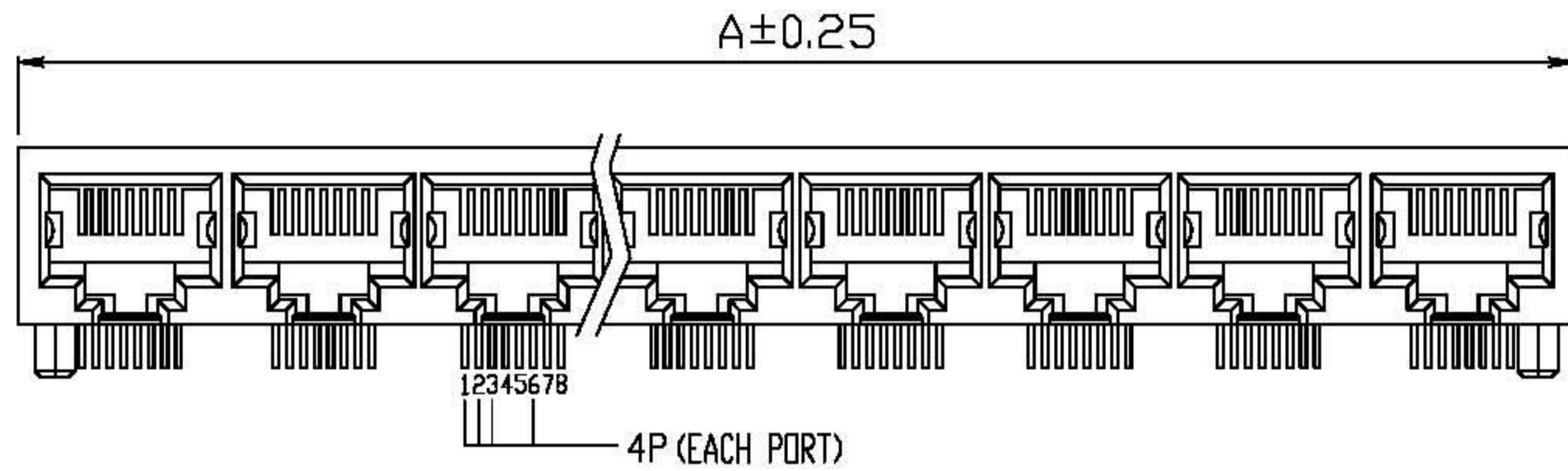


9680-8X1X-P — PORTS NUMBER



PC Board Layout

PORTS DIM	2	3	4	5	6	7	8	9	10	11	12
A	30.48	44.45	58.30	72.39	86.36	100.33	114.30	128.27	142.24	156.21	170.18
B	25.40	39.37	53.34	67.31	81.28	95.25	109.22	123.19	137.16	154.13	165.10

DO NOT SCALE DRAWING	TOLERANCES UNLESS OTHERWISE NOTED	INCH	MM	DR. <i>M.L.HUANG</i>	DATE APR-02 '01
THIRD ANGLE PROJECTION	LINEAR	MM INCH	00 ± .01 000 ± .005 0000 ± .002	0.0 ± 0.25 0.00 ± 0.13 0.000 ± 0.05	CK'D <i>M.CHANG</i>
MM INCH	ANGLE ± 0° 30'	RADII	± 0.40 - 0.15	APP'D <i>W.J.YANG</i>	DATE APR-02 '01

E-YUNG ENTERPRISE CO., LTD.

TITLE 2 TO 12 PORTS 8POSITION SHIELDLESS  
FLAT PIN SIDE ENTRY PCB GANGED JACK

SCALE	SIZE	DWG.NO.	REV.	SHEET
		968001	1	1