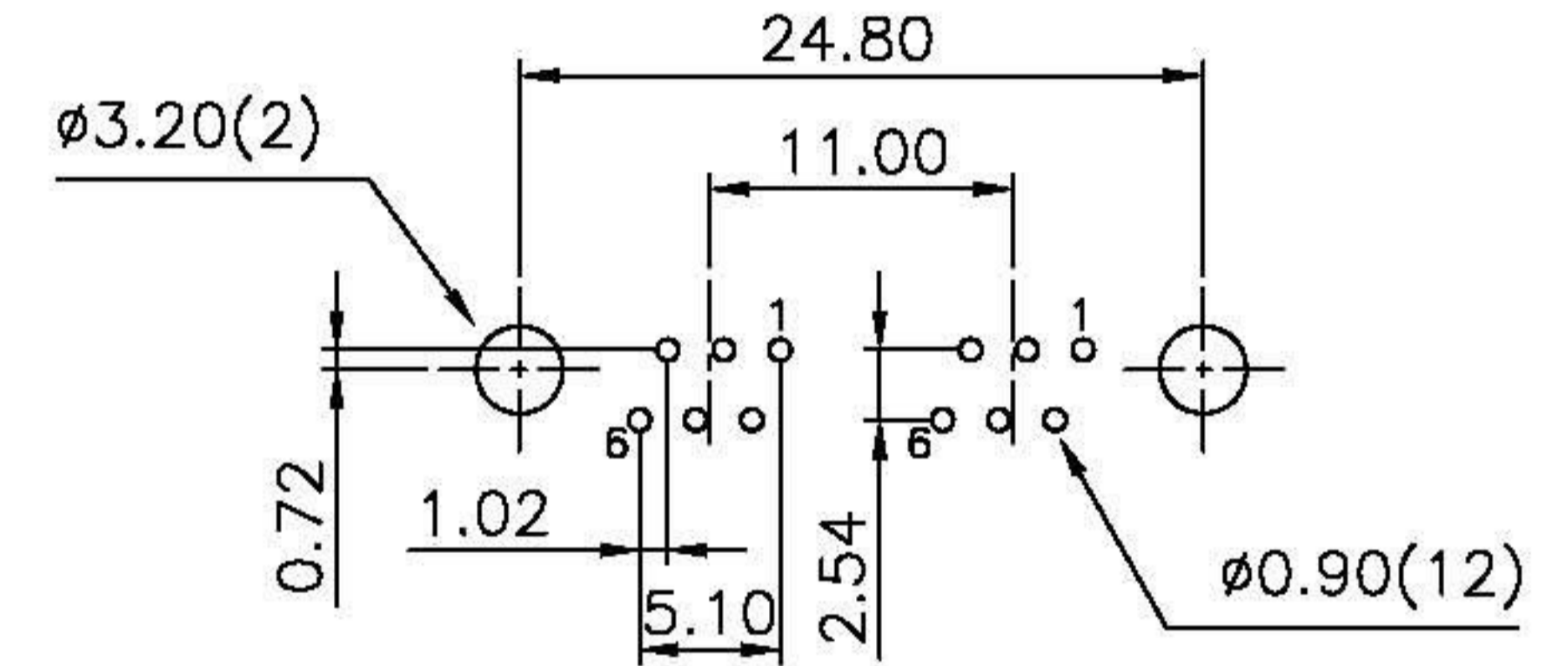
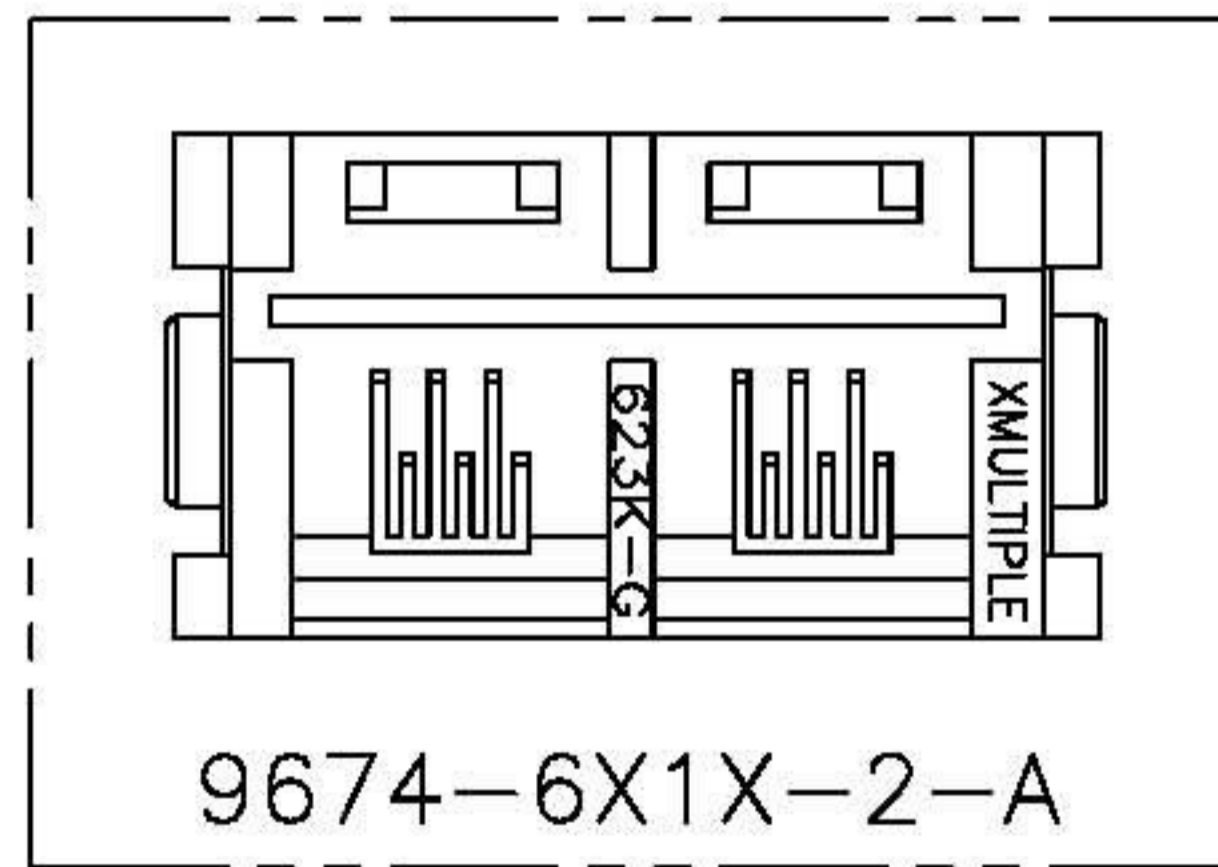
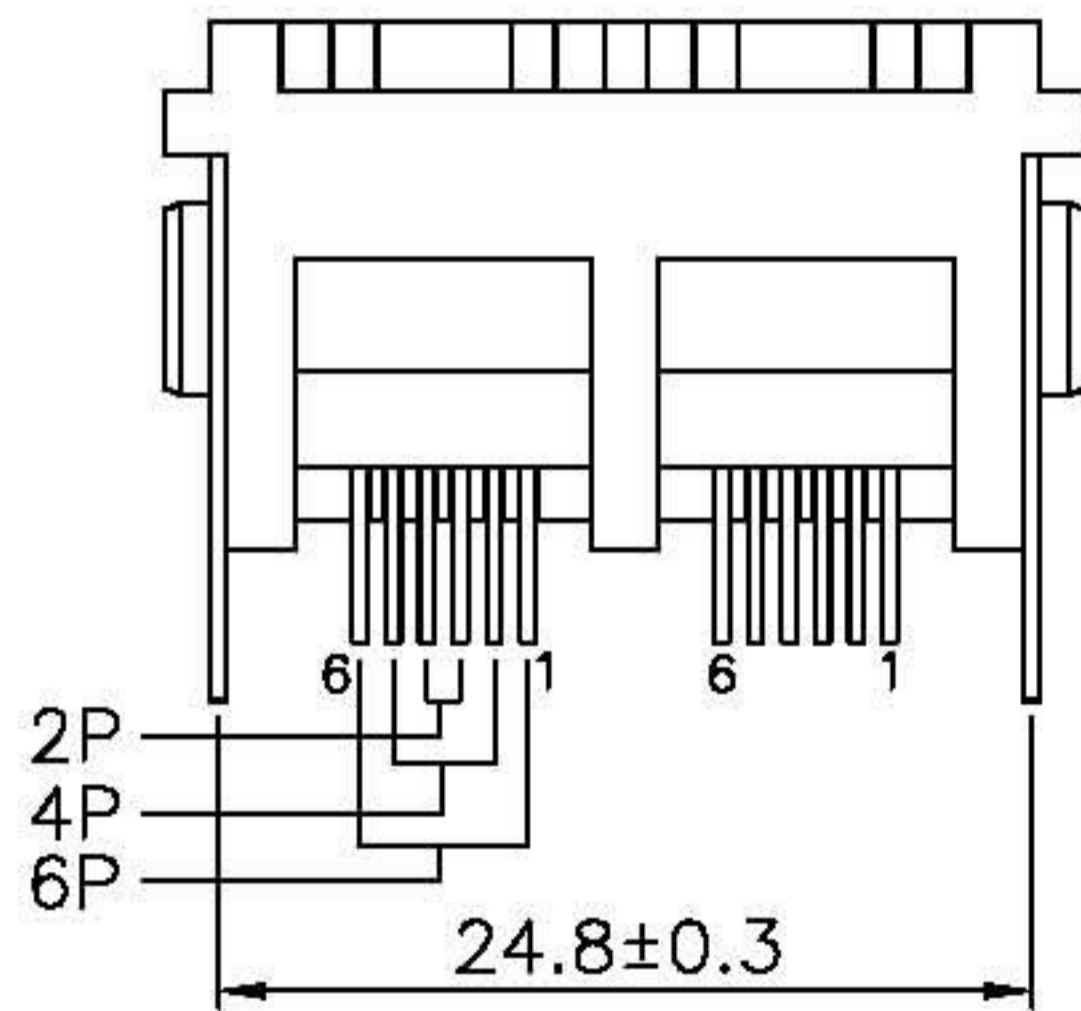
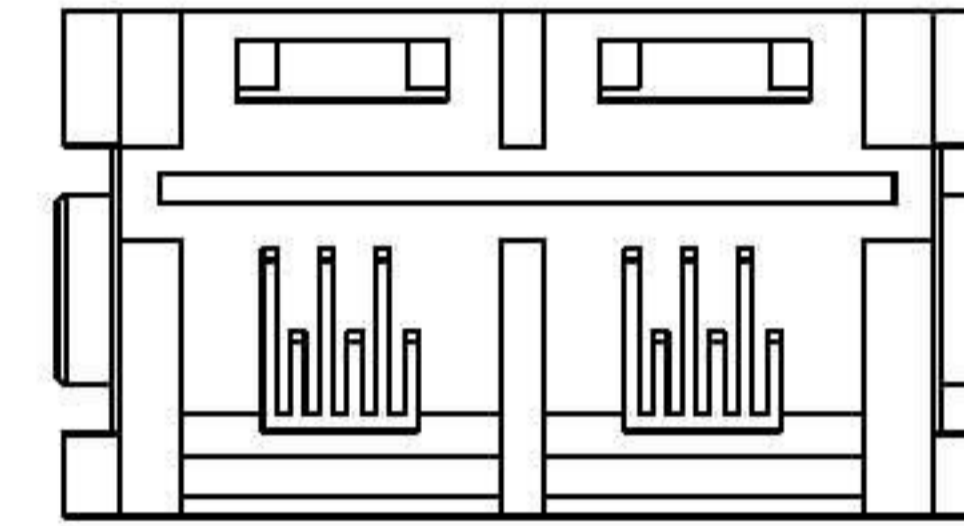
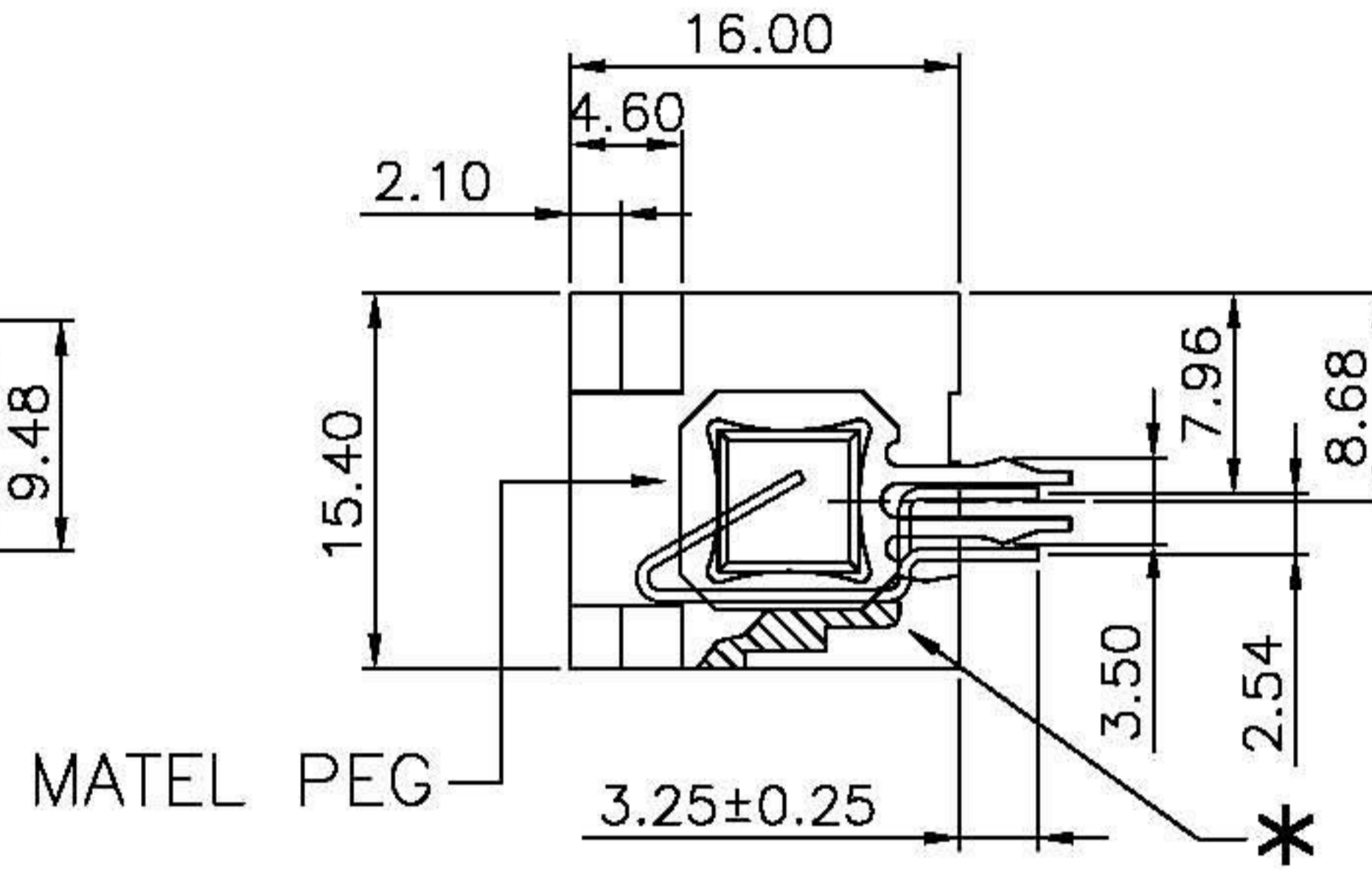
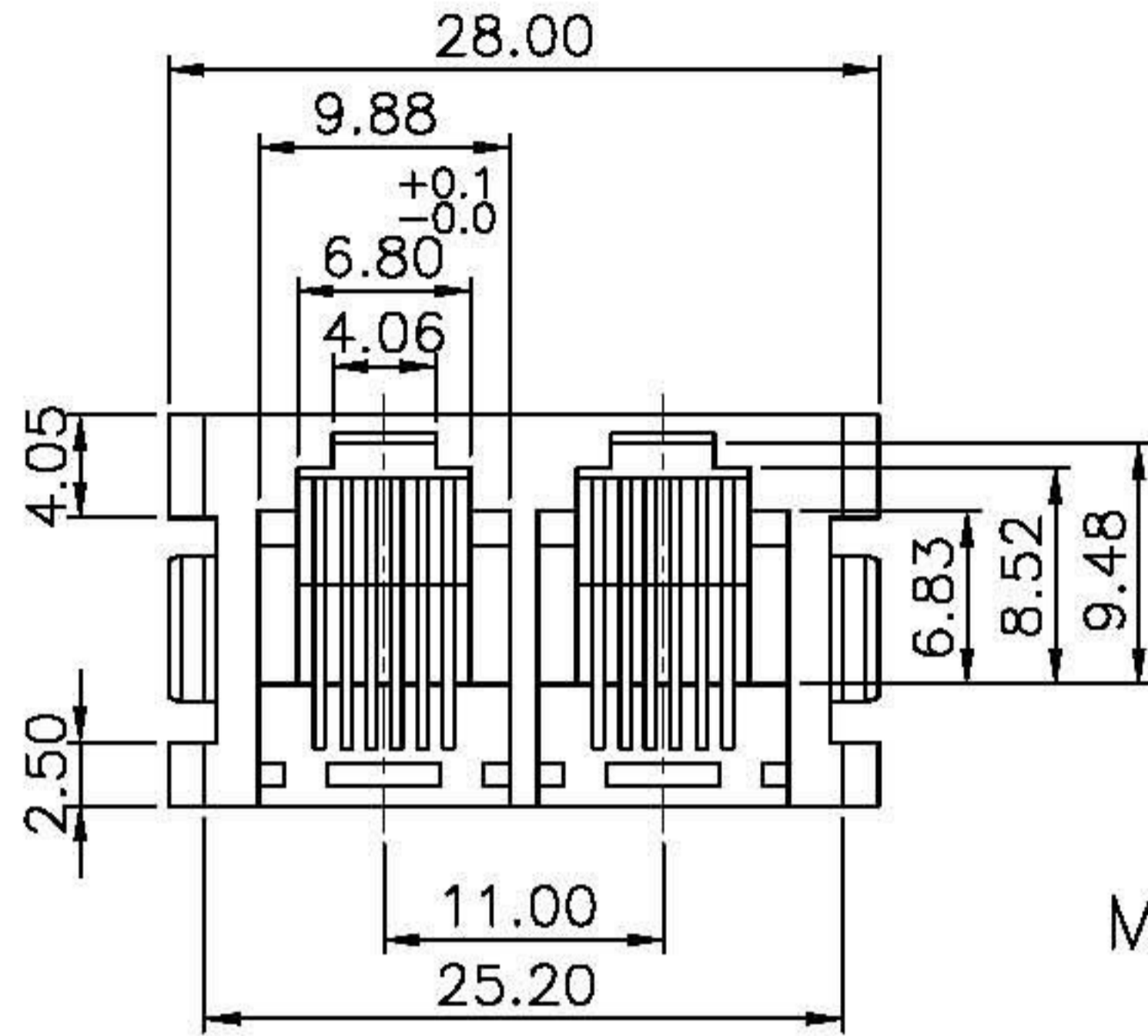


RoHS Compliance



PC Board Layout
Ref.

DO NOT SCALE
DRAWING

TOLERANCES UNLESS
OTHERWISE NOTED

INCH

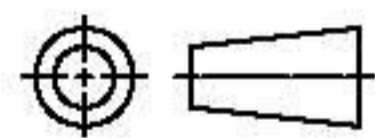
MM

DR.

M.L.HUANG

DATE

OCT-30 '08



THIRD ANGLE PROJECTION

LINEAR

MM

INCH

00 ± .01
000 ± .005
0000 ± .002

0.0 ± 0.25
0.00 ± 0.13
0.000 ± 0.05

CK'D

M.CHANG

OCT-30 '08

MM
INCH

ANGLE ± 0° 30'

RADII

+ 0.40
- 0.15

APP'D

W.J.YANG

OCT-31 '08

E-YUNG ENTERPRISE CO., LTD.

TITLE

2PORTS 6POSITION TOP ENTRY
FLAT CONTACTS, PCB GANDED JACK

SCALE

SIZE

DWG.NO.

967401

REV.

3

SHEET

1