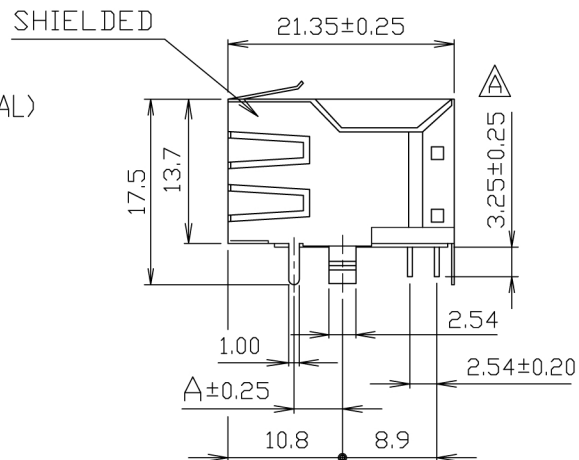
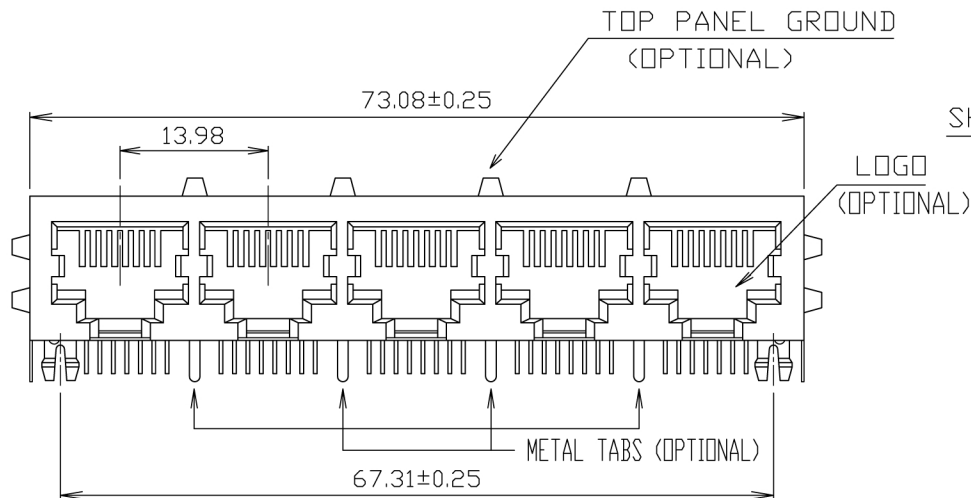
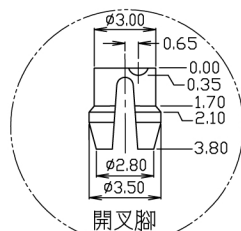
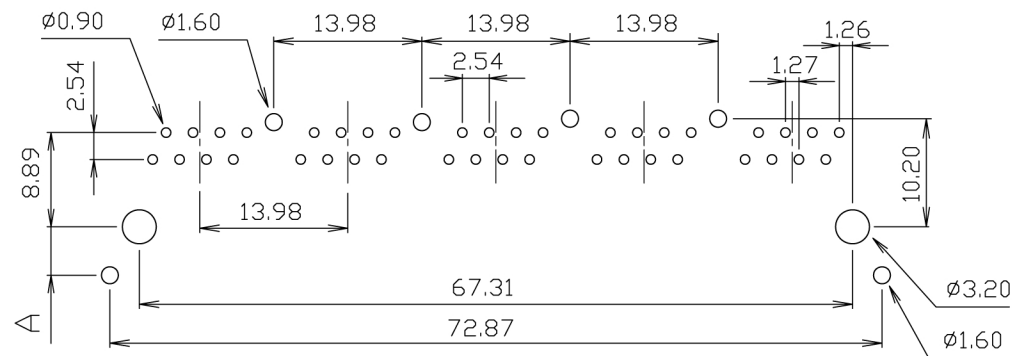
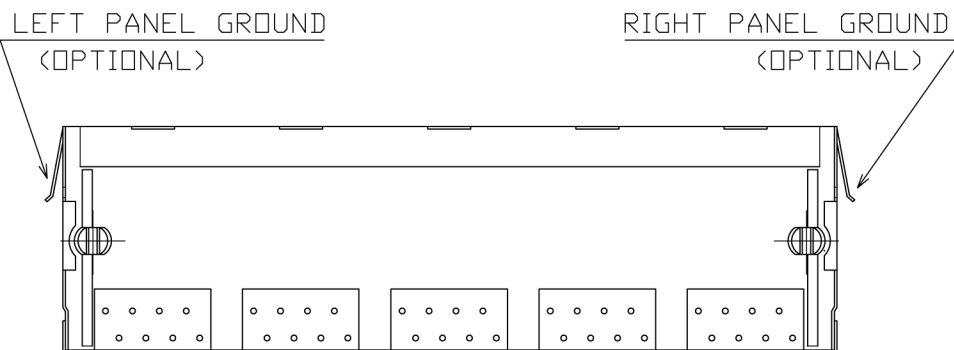


RoHS Compliance



REVISIONS			
LTR	DESCRIPTION	DATE	APP
△	CAR 2.80±0.25	01/17/'08	CHANG



SPLIT-PEGS

DO NOT SCALE DRAWING	TOLERANCES UNLESS OTHERWISE NOTED	INCH	MM	DR. CIAN.CI.LUO	DATE DEC-21 '09
	LINEAR	MM INCH	0.0 ± 0.01 0.00 ± 0.005 0.000 ± 0.002	CK'D M.CHANG	DEC-21 '09
MM INCH	ANGLE ± 0° 30'	RADII	+ 0.40 - 0.15	APP'D W.J.YANG	DEC-22 '09

E-YUNG ENTERPRISE CO., LTD.					
TITLE		SPORTS, 8POSITION, SHIELDED FLAT PIN, SIDE ENTRY PCB GANGED JACK			
SCALE	SIZE	DWG.NO.	REV.	SHEET	
		965814	3	1	