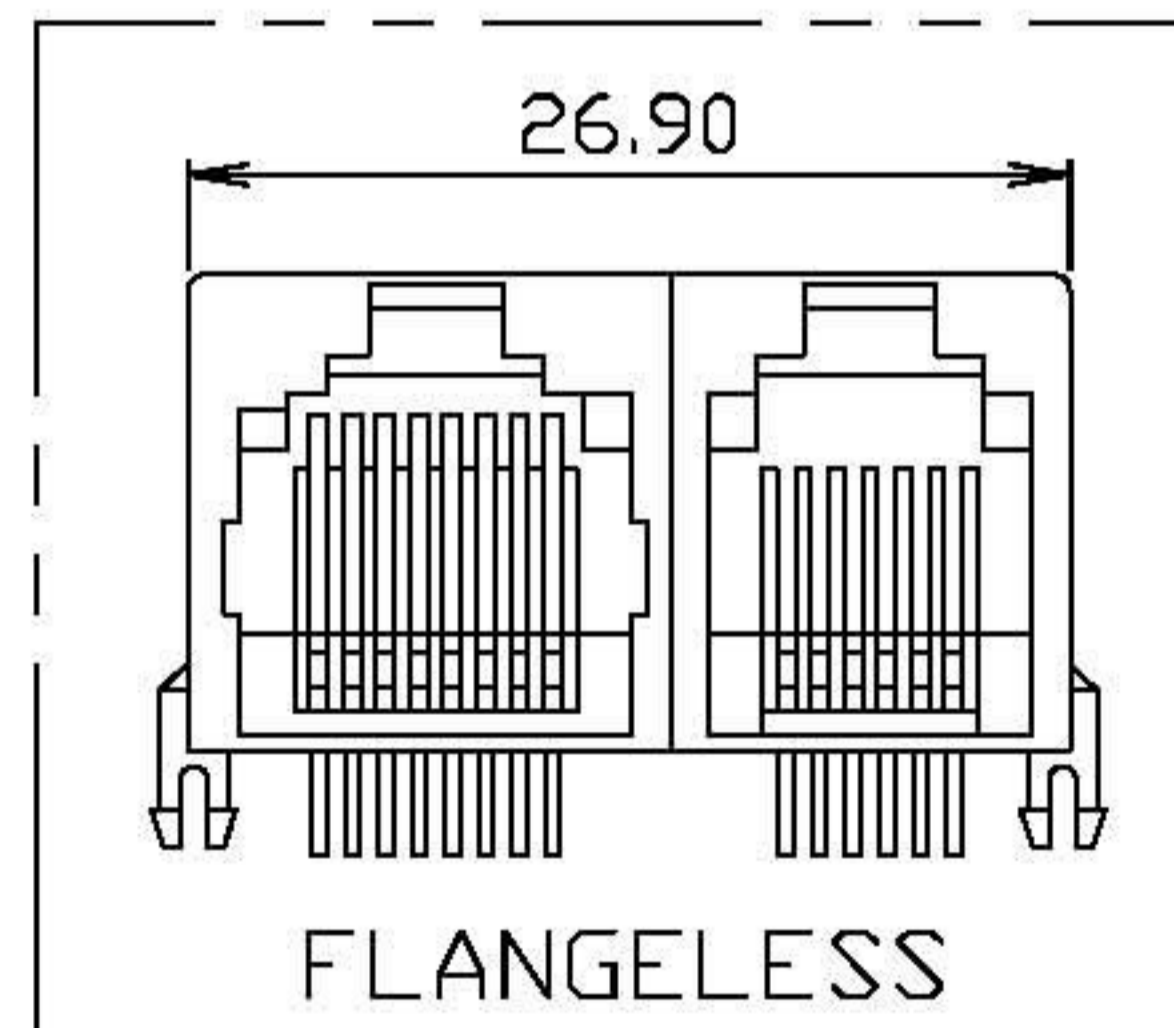
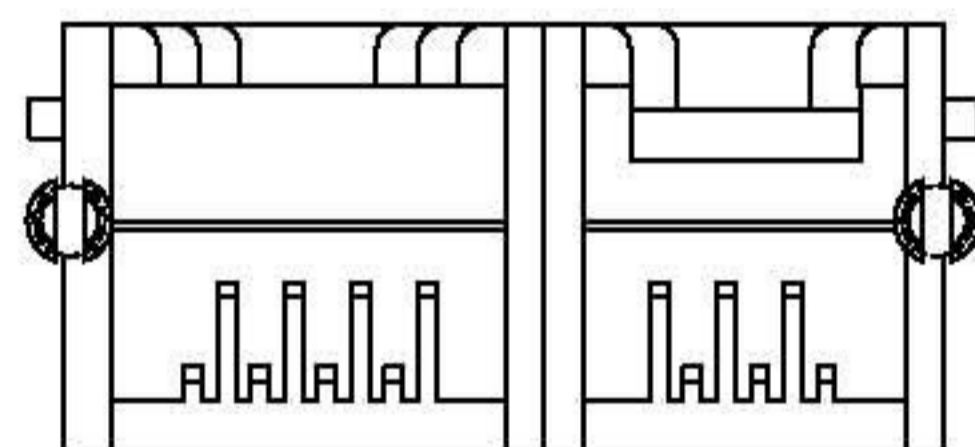


PCB LAYOUT
Ref.



FLANGELESS

E-YUNG ENTERPRISE CO., LTD.

DO NOT SCALE
DRAWING

TOLERANCES UNLESS
OTHERWISE NOTED

INCH

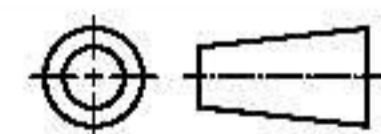
MM

DR.

H.W.CHAN

DATE

OCT-17 '07



THIRD ANGLE PROJECTION

LINEAR

MM

INCH

00 ± .01
000 ± .005
0000 ± .002

0.0 ± 0.25
0.00 ± 0.13
0.000 ± 0.05

CK'D

M.CHANG

OCT-17 '07

APP'D

W.J.YANG

OCT-18 '07

TITLE

RJ45 & RJ11 GANGED MINI LOW PROFILE
SIDE ENTRY PCB JACK

SCALE

SIZE

DWG.NO.

965004

REV.

5

SHEET

1

MM
INCH

ANGLE ± 0° 30'

RADII

+ 0.40
- 0.15