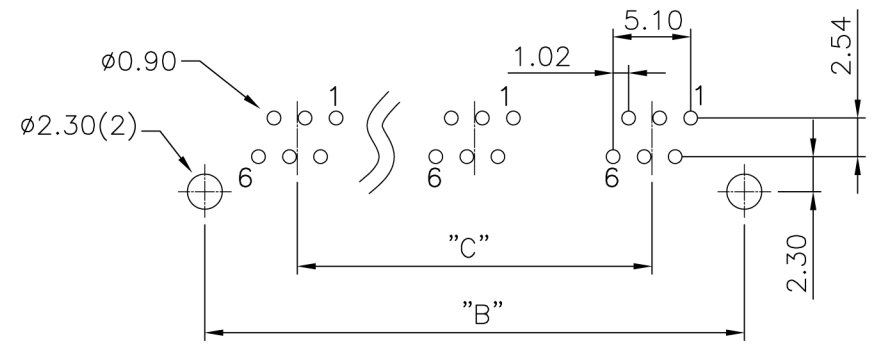
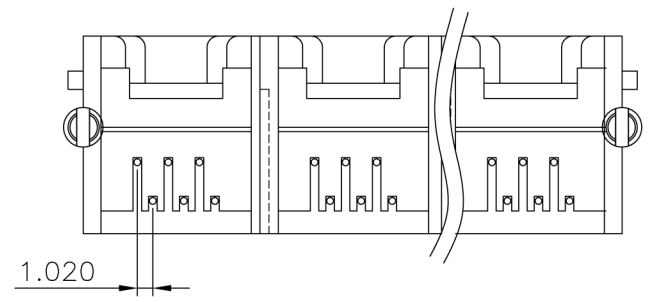


"A" = 11.65(m/m)XP + 0.60(m/m)

"B" = 11.65(m/m)XP + 0.30(m/m)

"C" = 11.65(m/m)X(P-1)

P = NUMBER OF PORTS



PCB LAYOUT Ref.

REVISIONS			
LTR	DESCRIPTION	DATE	APP
△	B±0.13	11/01/'02	CHANG
△	2.50	10/30/'07	CHANG
△	3.05	03/14/'08	CHANG
△	ADD	03/14/'08	CHANG
△	0.5	03/14/'08	CHANG

DO NOT SCALE DRAWING	TOLERANCES UNLESS OTHERWISE NOTED	INCH	MM	DR. <i>CIAN.CILUO</i>	DATE DEC-15 '09
	LINEAR	MM INCH	00 ± .01 000 ± .005 0000 ± .002	CK'D <i>M.CHANG</i>	DEC-15 '09
MM INCH	ANGLE ± 0° 30'	RADII	± 0.40 - 0.15	APP'D <i>W.J.YANG</i>	DEC-16 '09

E-YUNG ENTERPRISE CO., LTD.				
TITLE RJ11, GANGED MINI LOW PROFILE, SIDE ENTRY PCB JACK FROM 2PORTS UP				
SCALE	SIZE	DWG.NO.	REV.	SHEET
		965001	9	1