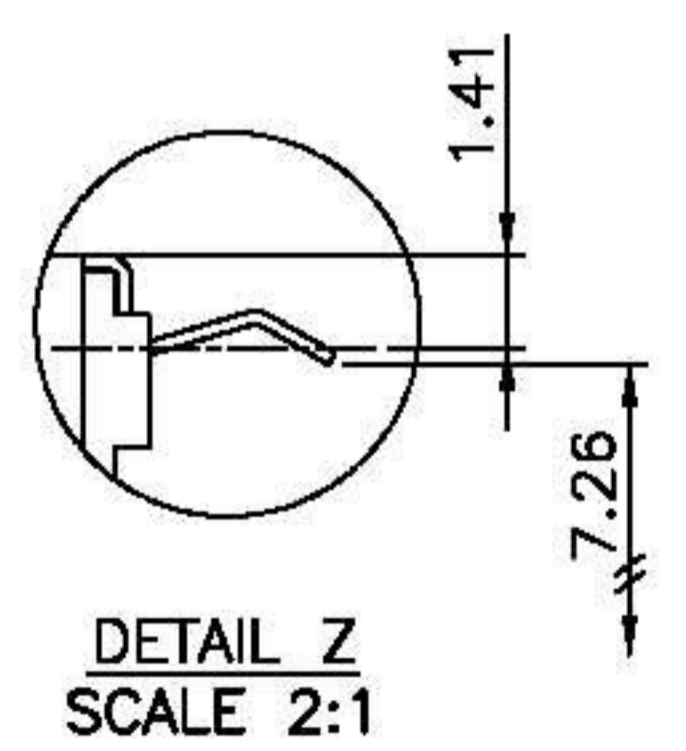
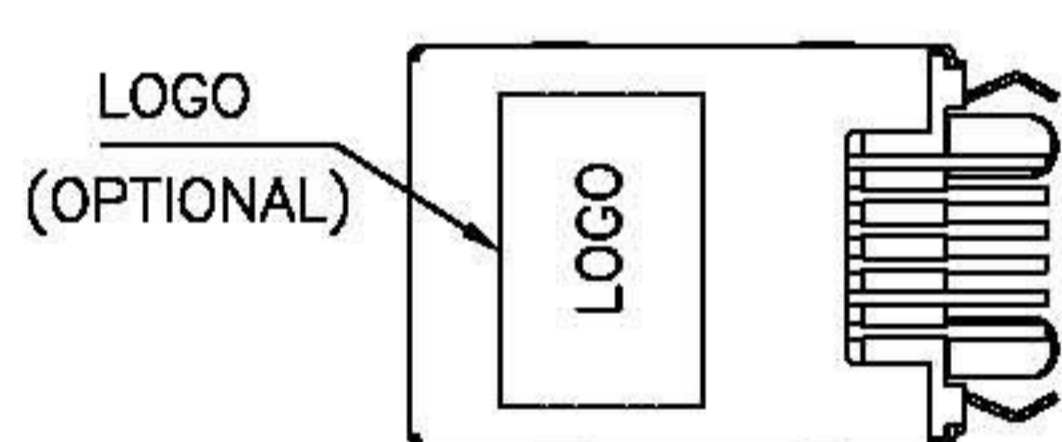
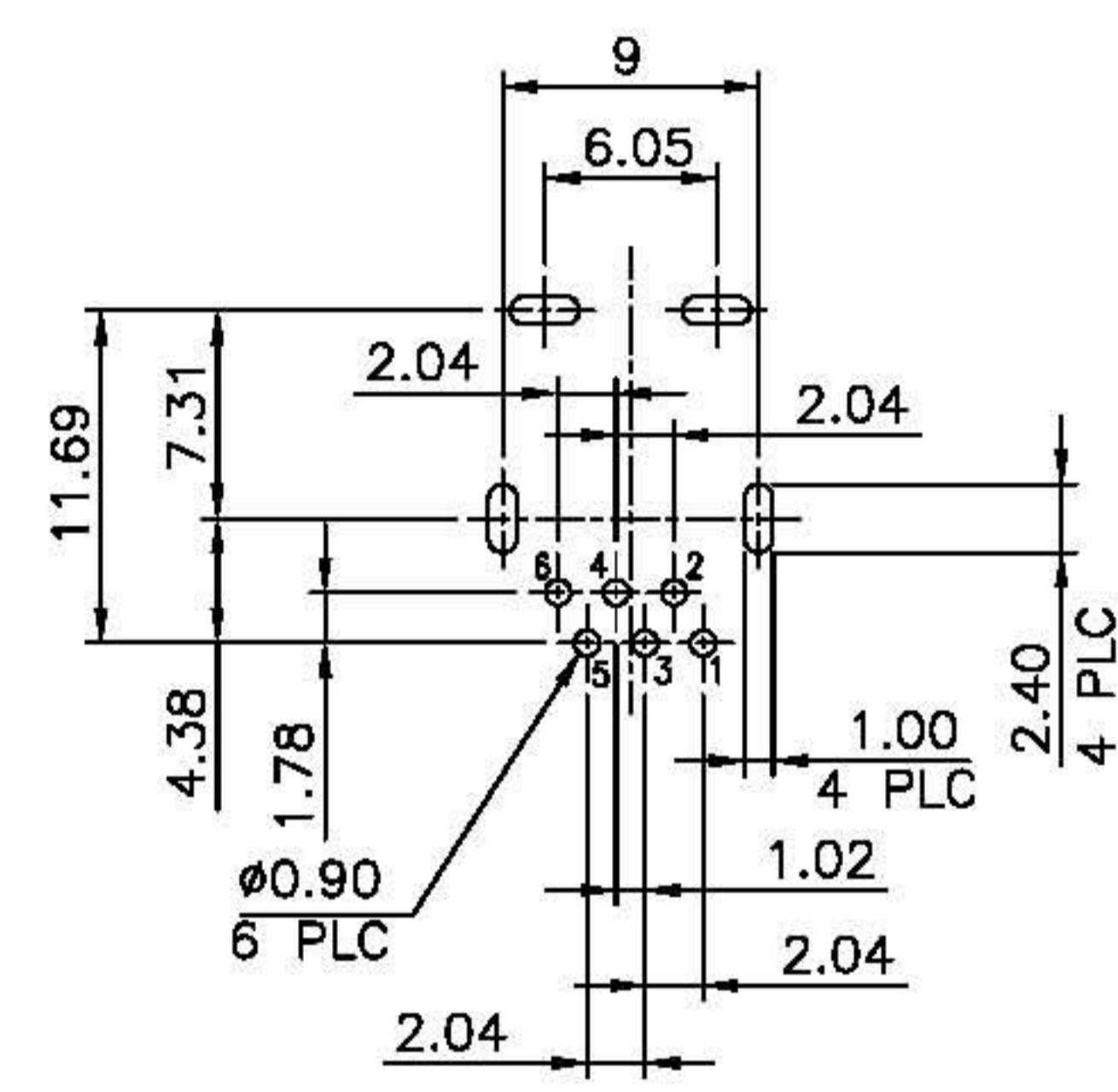
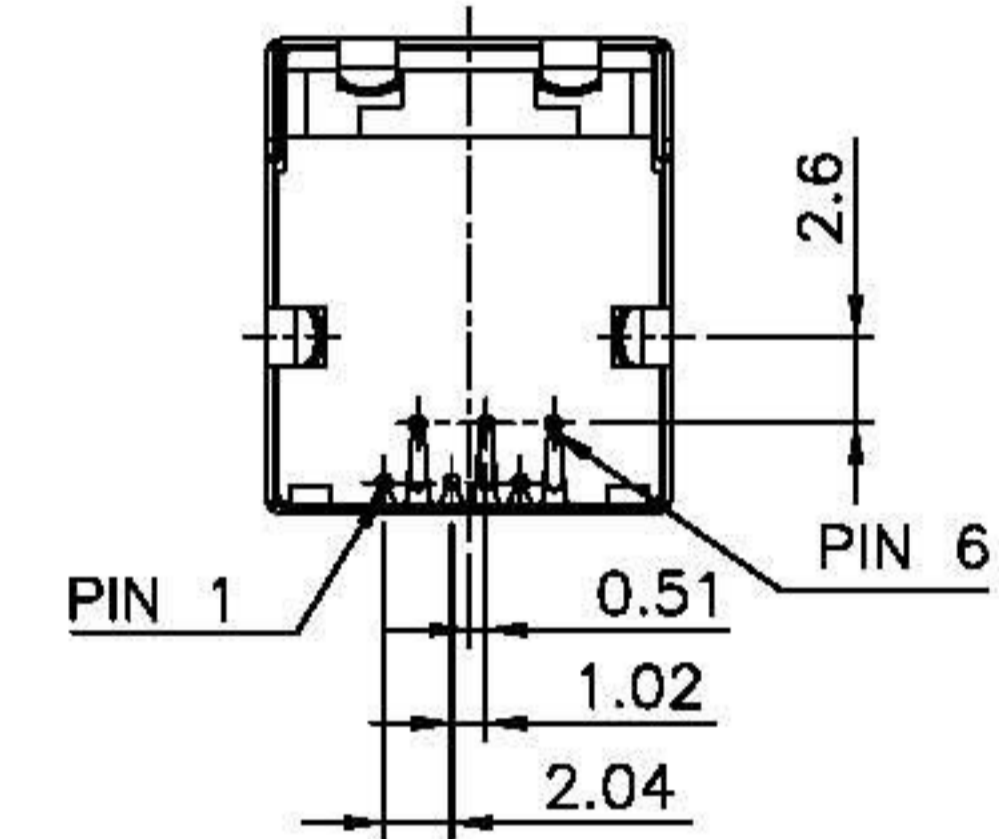
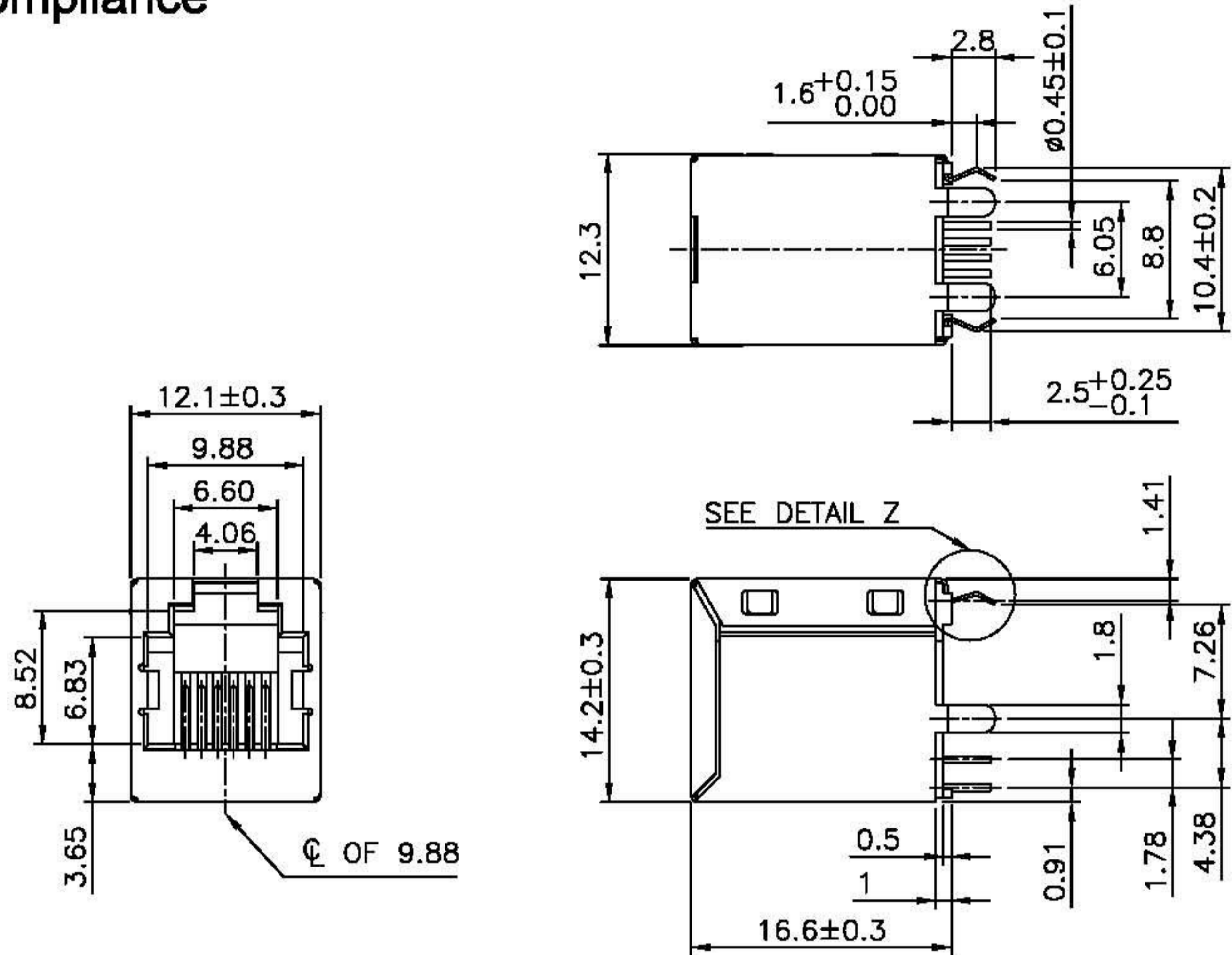


RoHS Compliance



DO NOT SCALE DRAWING	TOLERANCES UNLESS OTHERWISE NOTED	INCH	MM	DR. <i>CIAN.CI.LOU</i>	DATE DEC-08 '09
THIRD ANGLE PROJECTION	LINEAR $\frac{MM}{INCH}$	$00 \pm .01$ $000 \pm .005$ $0000 \pm .002$	0.0 ± 0.30 0.00 ± 0.20 0.000 ± 0.10	CK'D <i>M.CHANG</i>	DEC-08 '09
MM INCH	ANGLE $\pm 0^{\circ} 30'$	RADII	± 0.40 -0.15	APP'D <i>W.J.YANG</i>	DEC-09 '09

E-YUNG ENTERPRISE CO., LTD.					
SCALE	SIZE	DWG.NO.	REV.	SHEET	
		964708	2	1	