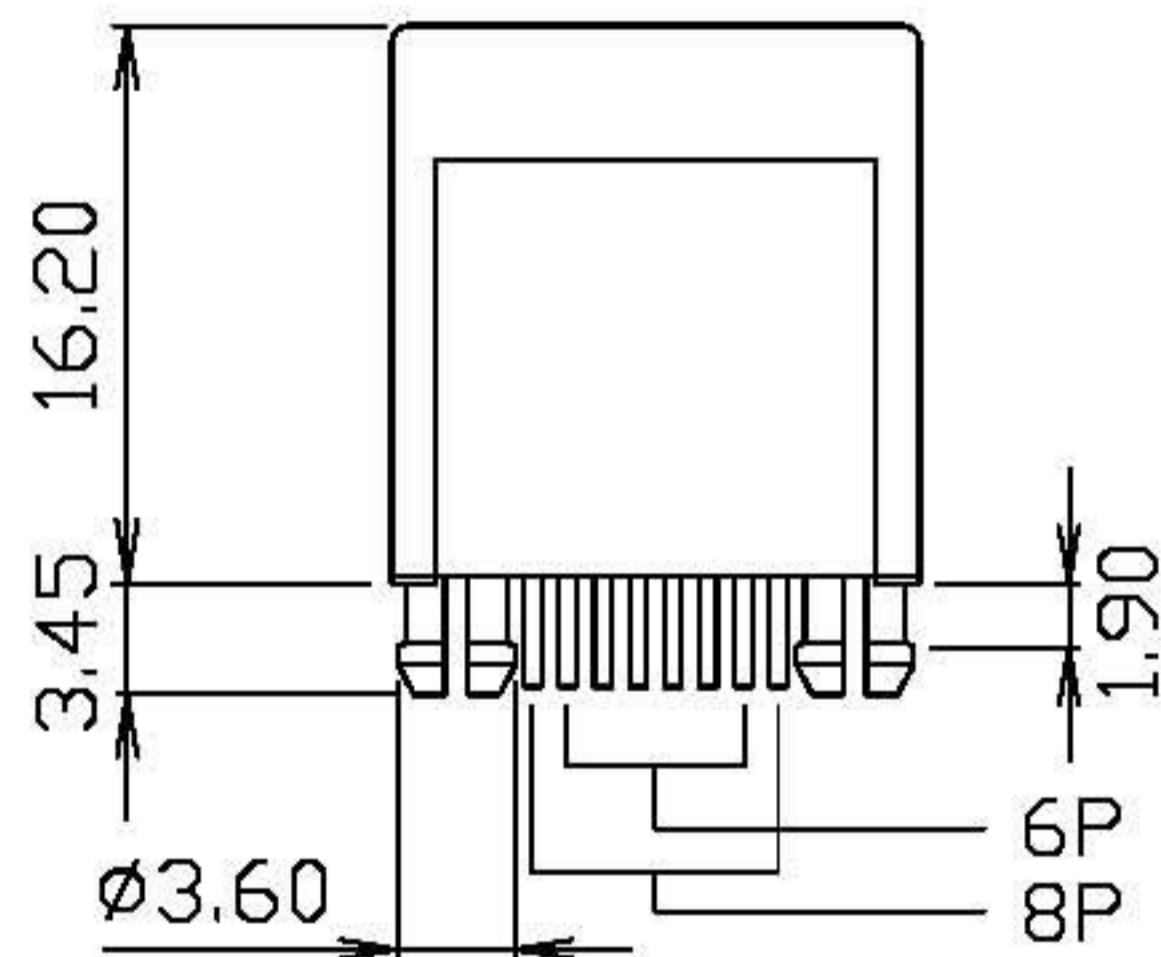
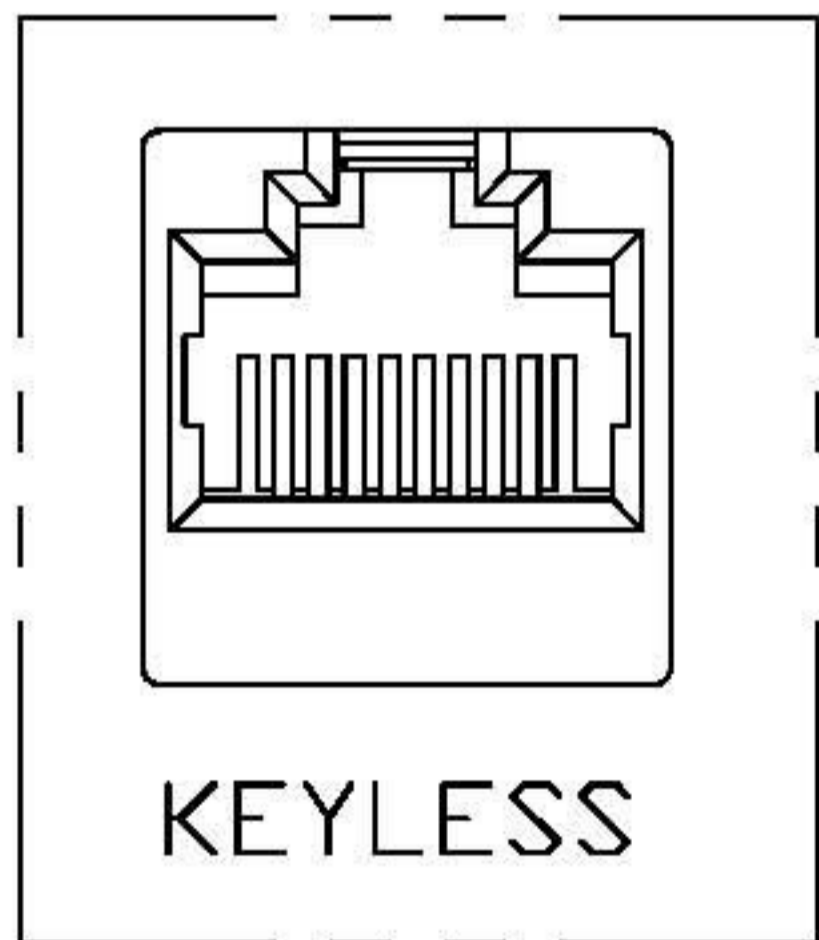


PC Board Layout



E-YUNG ENTERPRISE CO., LTD.

DO NOT SCALE
DRAWING

TOLERANCES UNLESS
OTHERWISE NOTED

INCH

MM

DR.
M.L.HUANG

DATE
NOV-21 '00

THIRD ANGLE PROJECTION

LINEAR $\frac{\text{MM}}{\text{INCH}}$

00 ± .01
000 ± .005
0000 ± .002

0.0 ± 0.25
0.00 ± 0.13
0.000 ± 0.05

CK'D
M.CHANG

NOV-21 '00

TITLE
8POSITION ROUND PIN
TOP ENTRY PCB JACK

MM
INCH

ANGLE ± 0° 30'

RADII

+ 0.40
- 0.15

APP'D
W.J.YANG

NOV-24 '00

SCALE SIZE DWG.NO.
964701

REV. SHEET
1 1