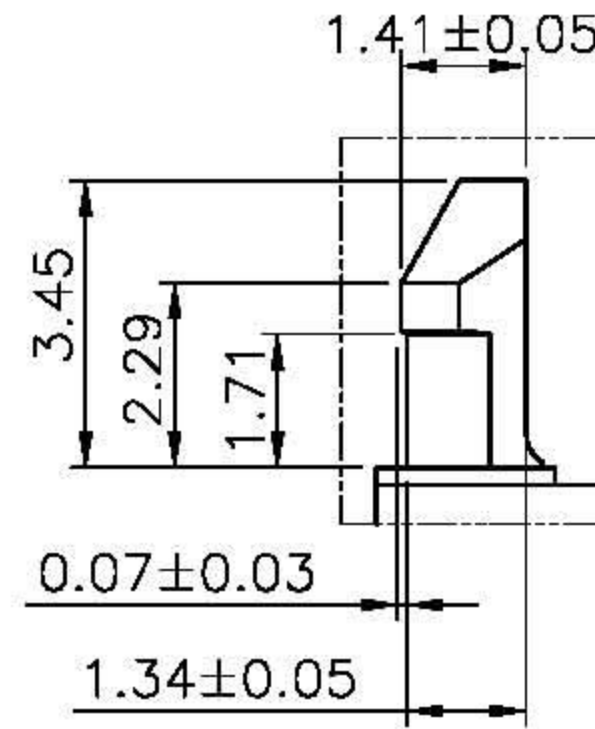
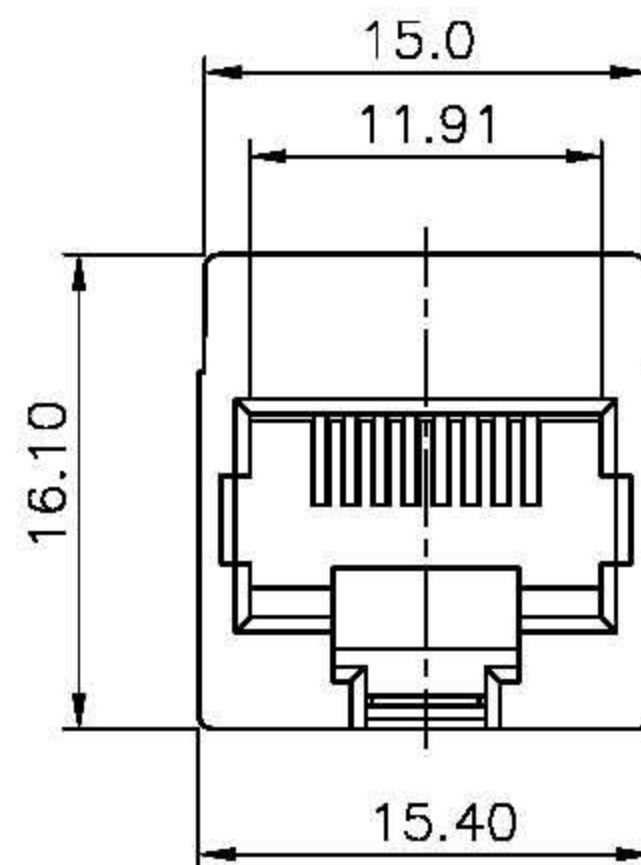
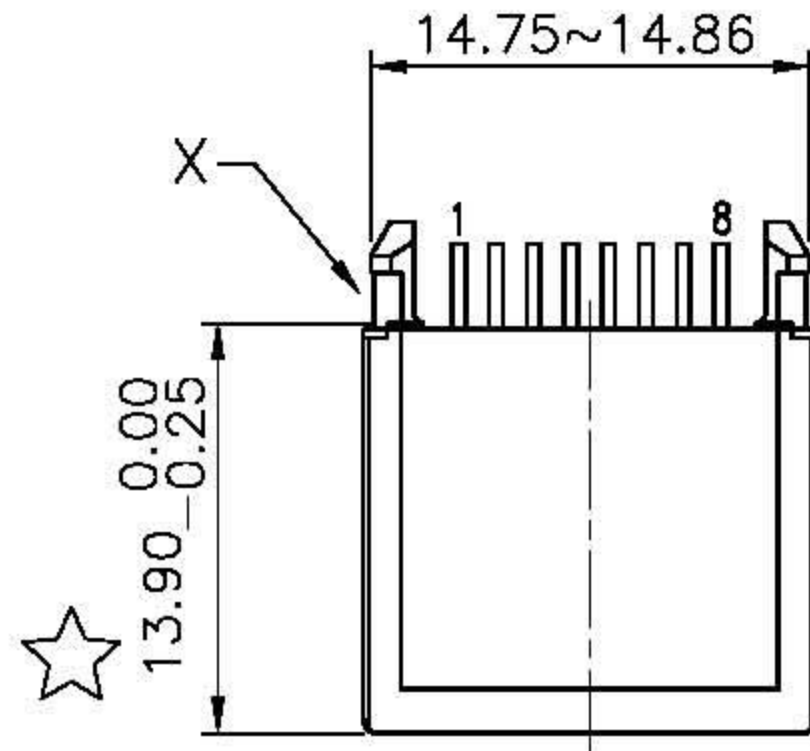
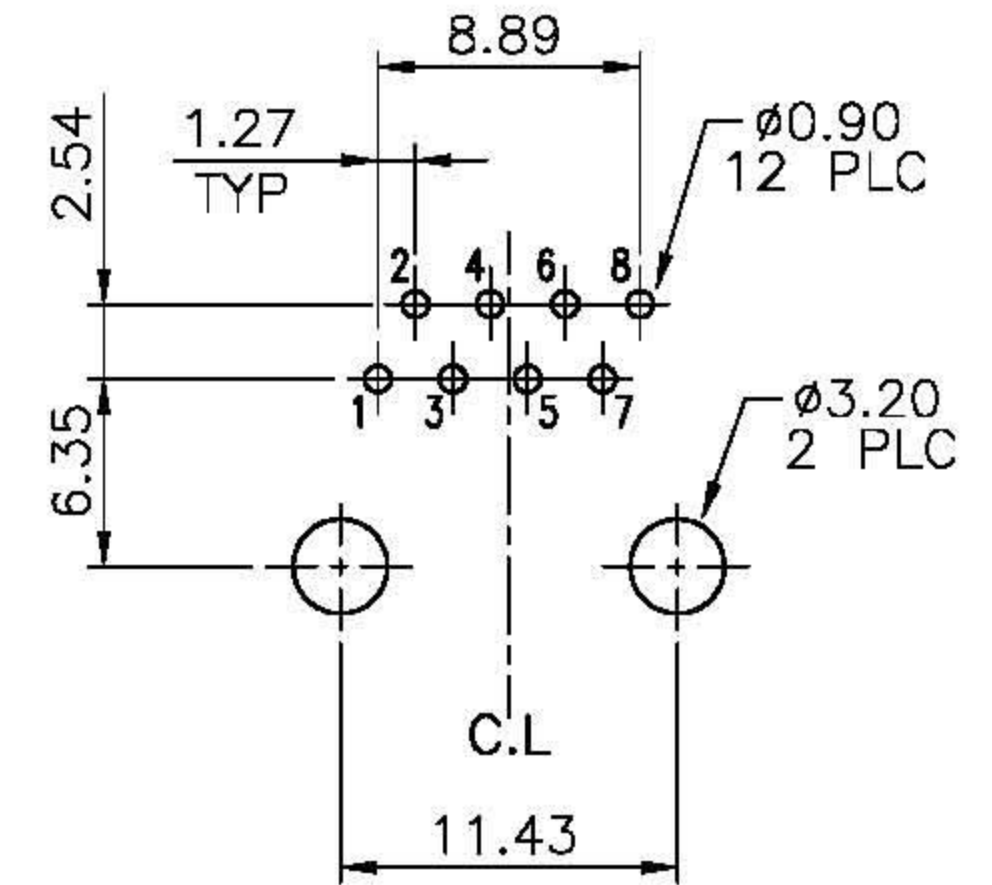
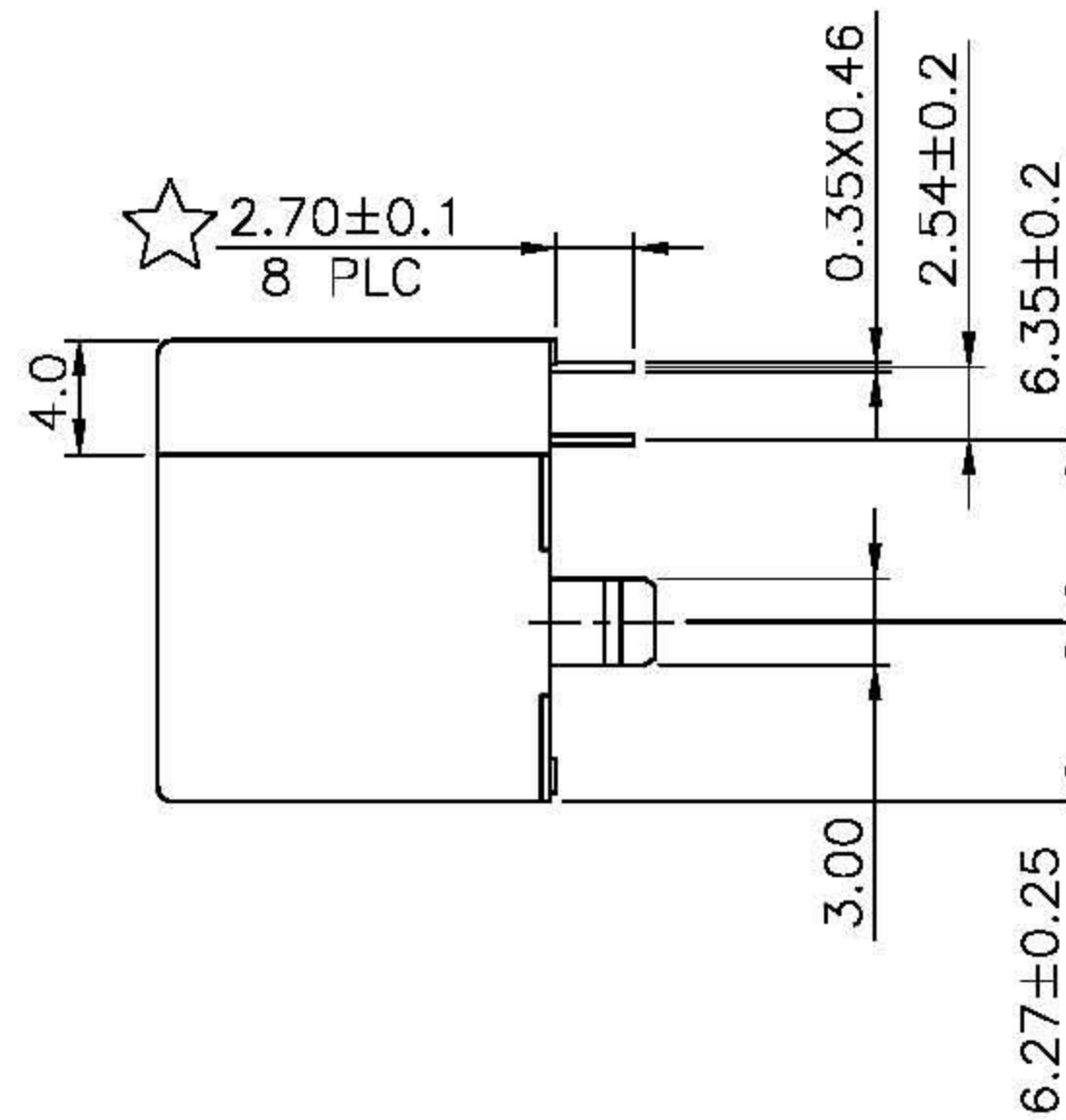


RoHS Compliance



DETAIL X



PCB LAYOUT (TOP VIEW)
RECOMMENDED

| | | | | | |
|------------------------|-----------------------------------|-------------------------|---|--------------------------|--------------------|
| DO NOT SCALE DRAWING | TOLERANCES UNLESS OTHERWISE NOTED | INCH | MM | DR. <i>M.L.HUANG</i> | DATE JUN-09 '11 |
| THIRD ANGLE PROJECTION | LINEAR MM INCH | 00 ± 000 ± 0000 ± | 0.0 ± 0.25 0.00 ± 0.13 0.000 ± 0.05 | CK'D <i>M.CHANG</i> | JUN-09 '11 |
| MM INCH | ANGLE ± 0° 30' | RADII | + 0.40 - 0.15 | APP'D <i>W.J.YANG</i> | JUN-10 '11 |

| | | | | | |
|-----------------------------|------|--|------|-------|--|
| E-YUNG ENTERPRISE CO., LTD. | | | | | |
| TITLE | | RJ45, SHIELDLESS FLAT PIN, TOP ENTRY PCB JACK | | | |
| SCALE | SIZE | DWG.NO. | REV. | SHEET | |
| | | 964616 | 1 | 1 | |