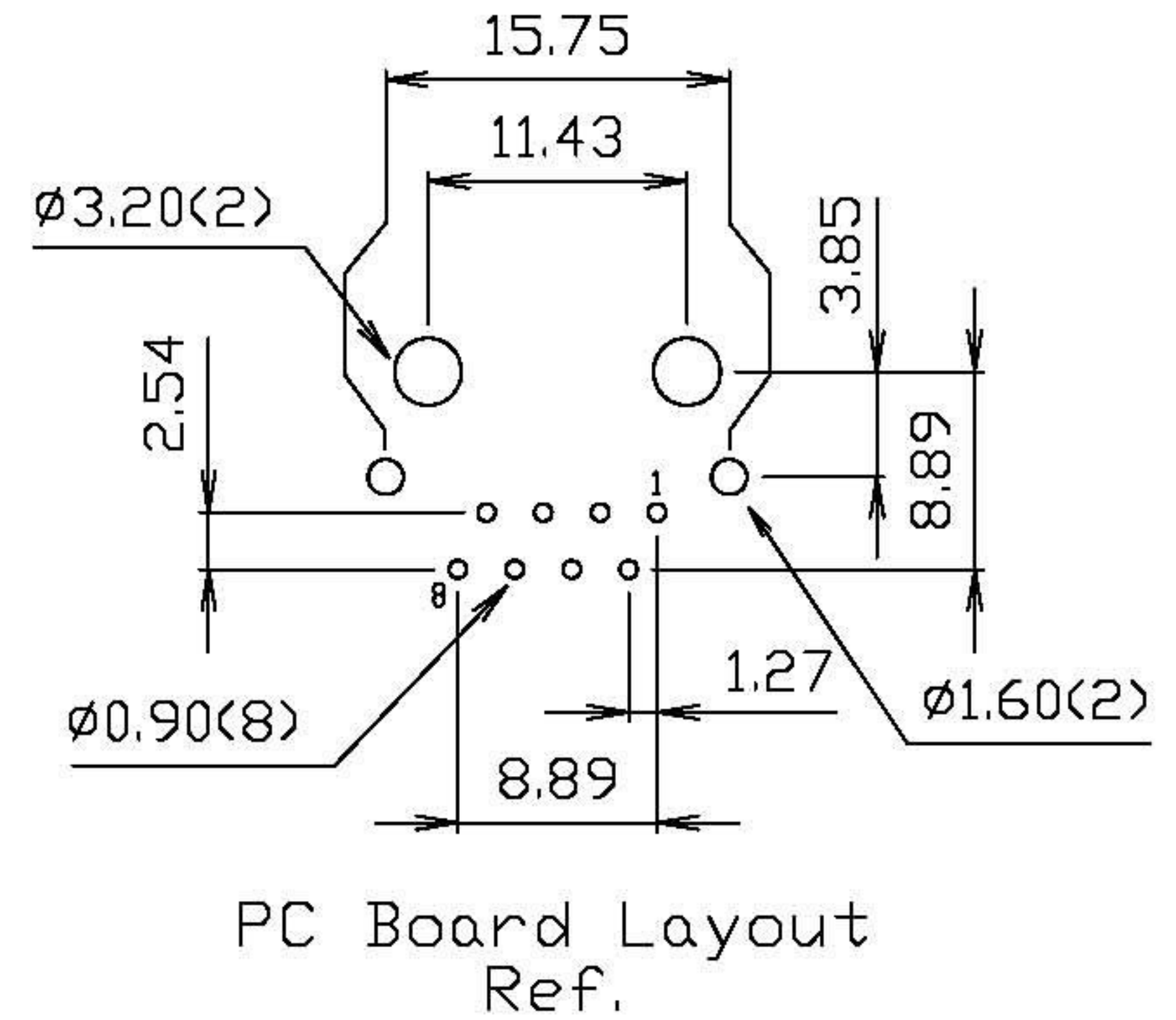
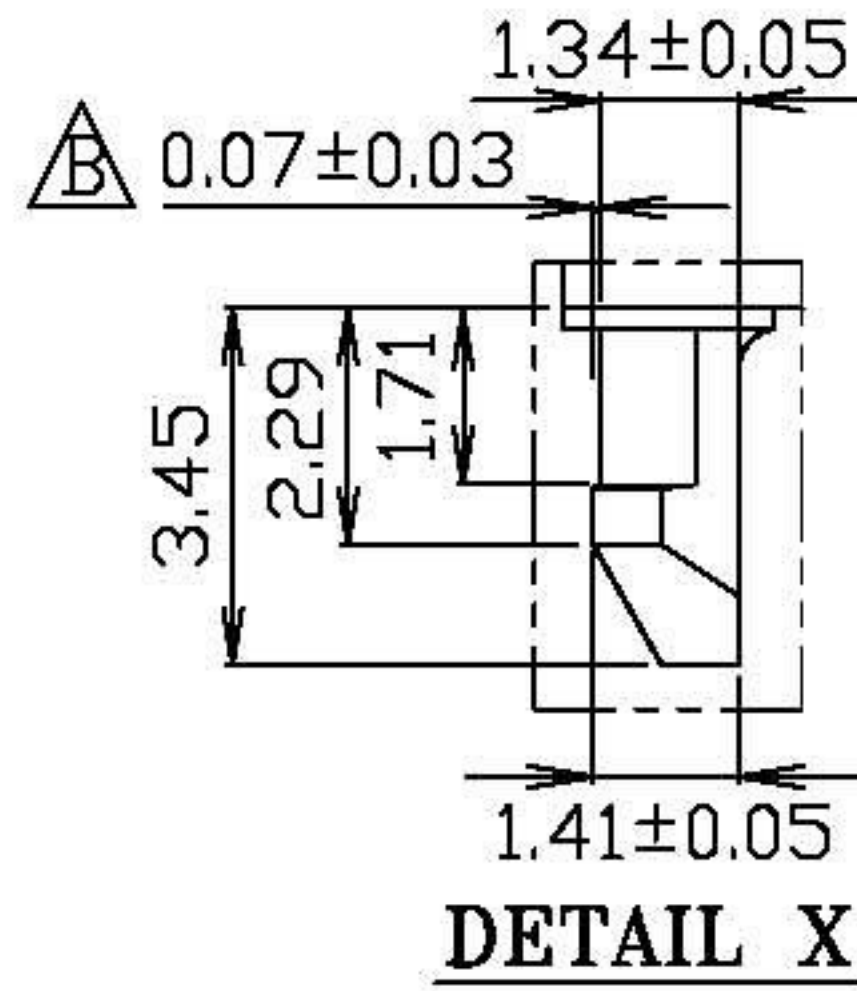
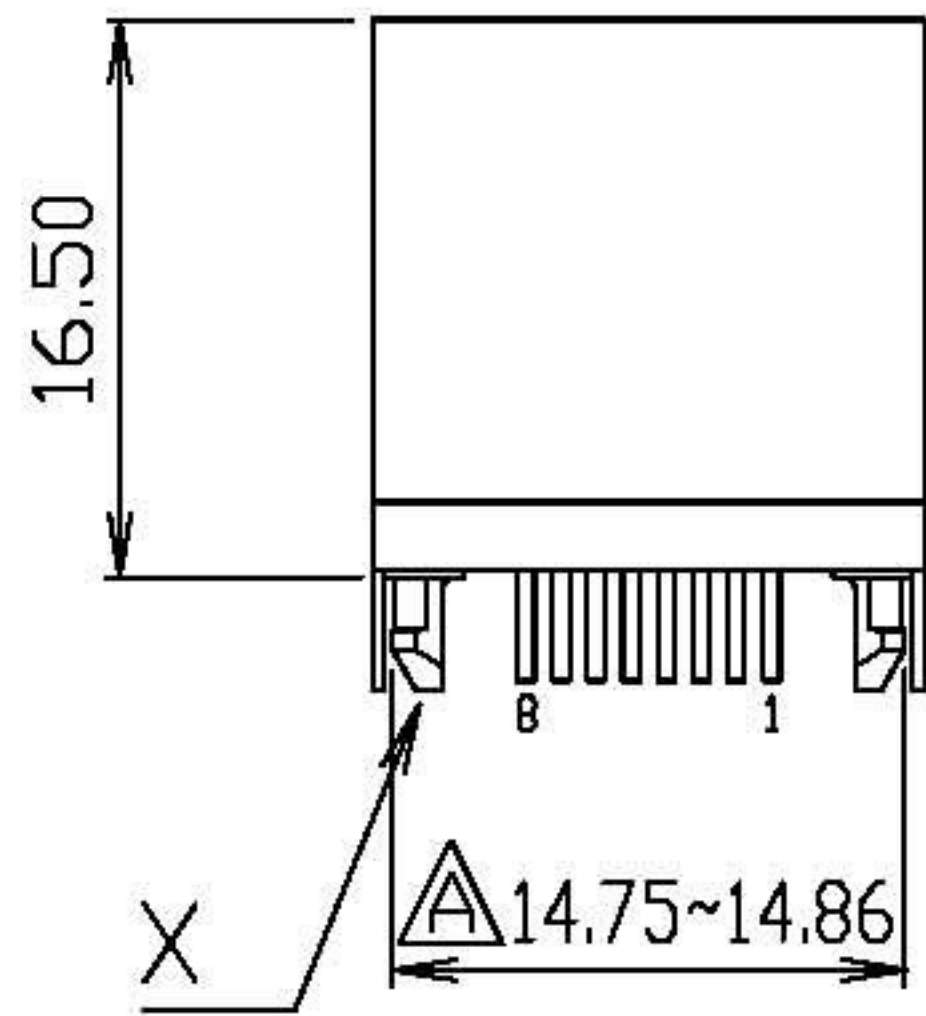
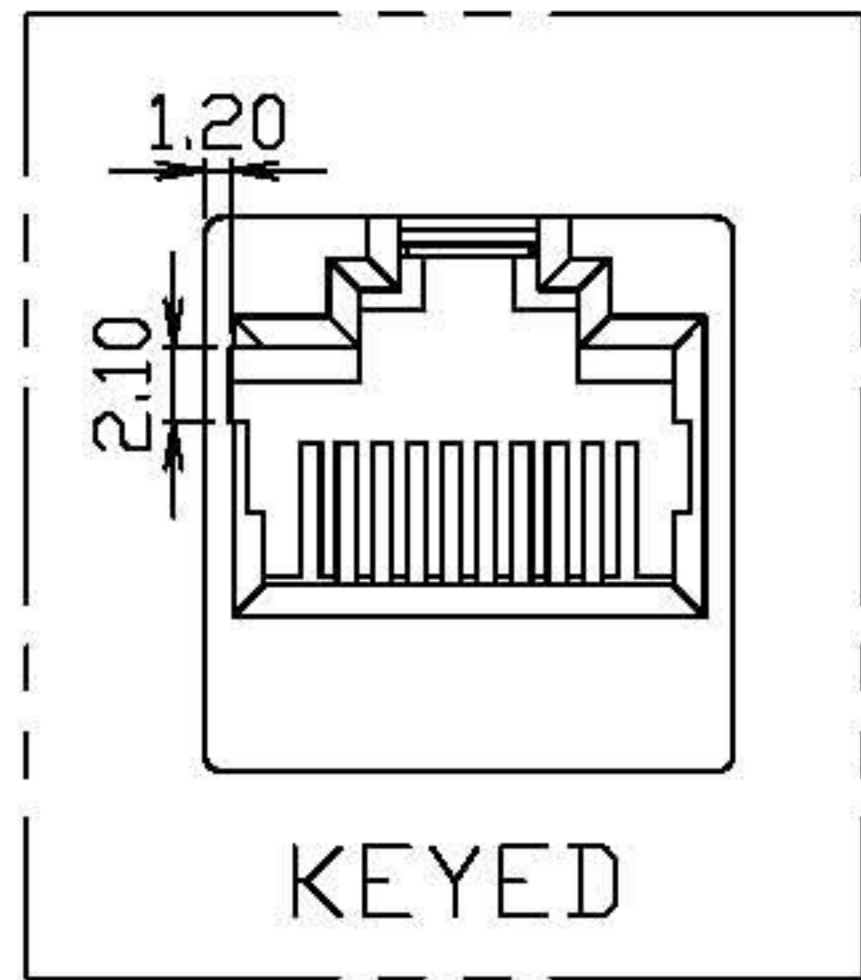
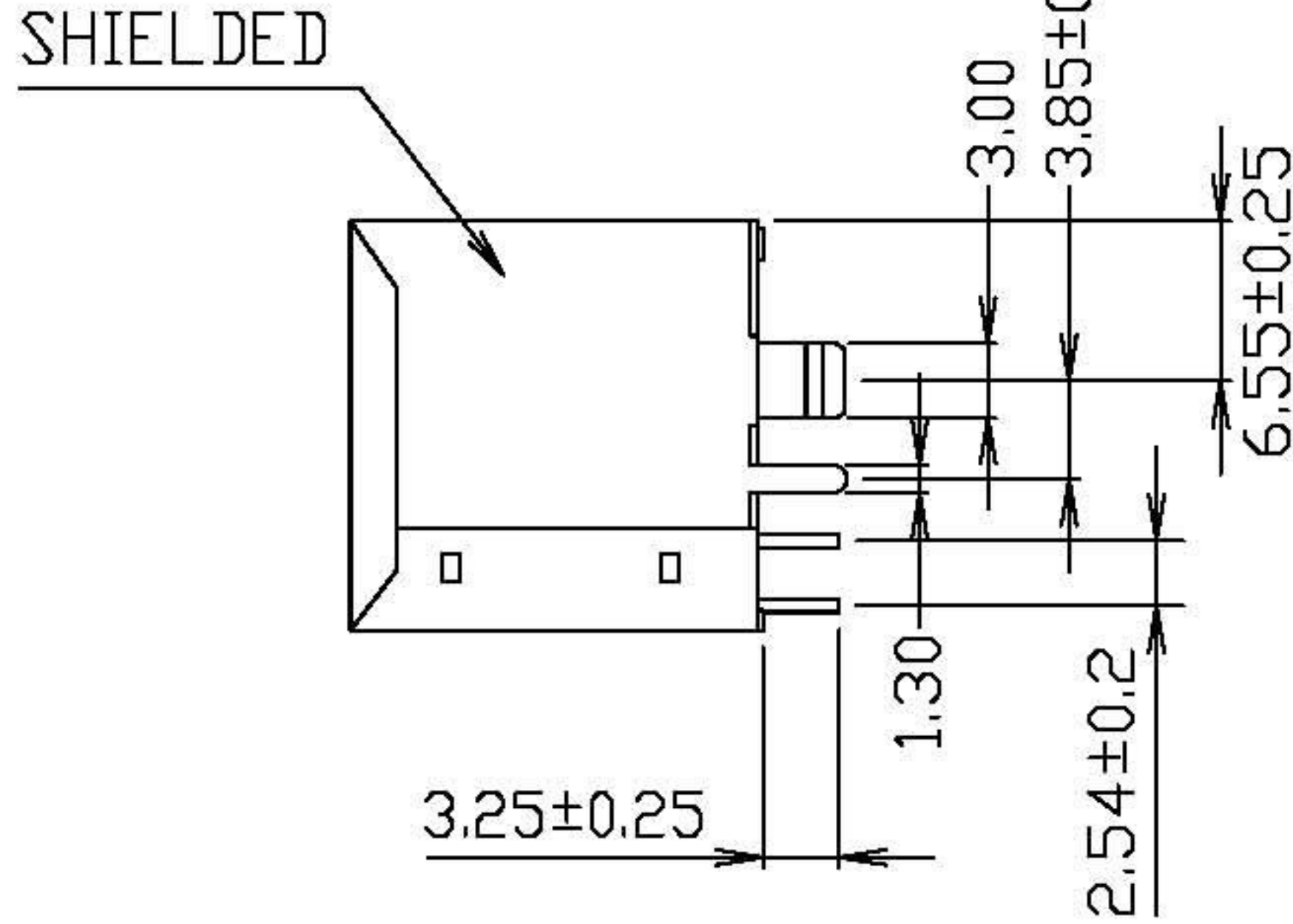
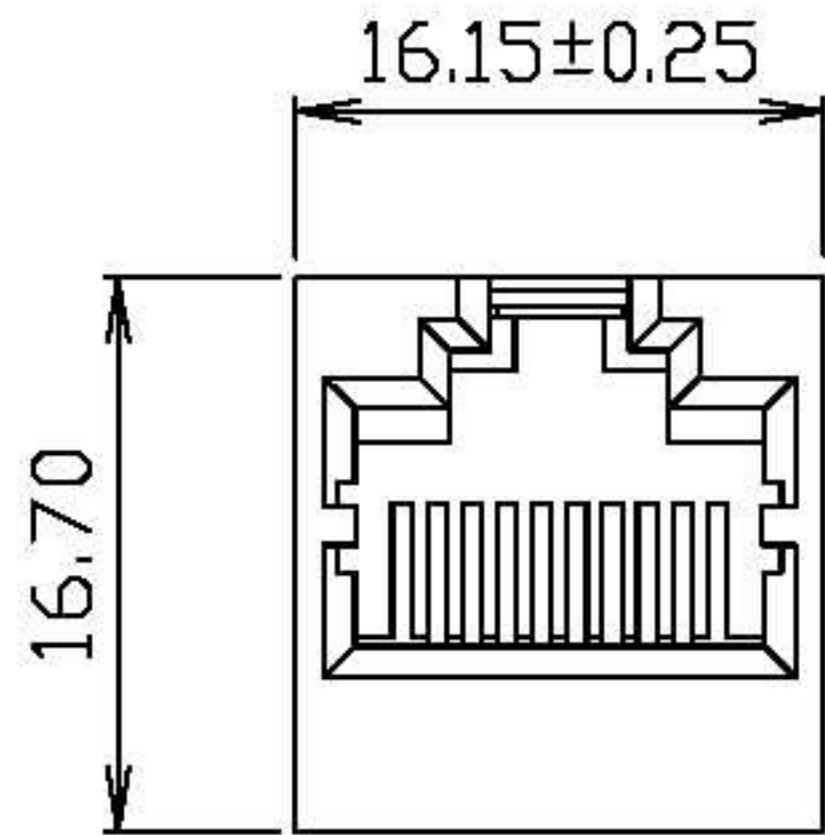


REVISIONS			
LTR	DESCRIPTION	DATE	APP
A	14.9±0.15	07/24/'01	CHANG
B	0.7±0.03	07/10/'03	CHANG



DO NOT SCALE DRAWING	TOLERANCES UNLESS OTHERWISE NOTED	INCH	MM	DR. <i>M.L.HUANG</i>	DATE JAN-02 '07
THIRD ANGLE PROJECTION	LINEAR	MM 00 ± .01 000 ± .005 0000 ± .002	INCH 0.0 ± 0.25 0.00 ± 0.13 0.000 ± 0.05	CK'D <i>M.CHANG</i>	JAN-02 '07
MM INCH	ANGLE ± 0° 30'	RADII	+ 0.40 - 0.15	APP'D <i>W.J.YANG</i>	JAN-02 '07

<b>E-YUNG ENTERPRISE CO., LTD.</b>					
TITLE		8POSITION FLAT PIN SHIELDED TOP ENTRY PCB JACK			
SCALE	SIZE	DWG.NO.	REV.	SHEET	
		964609	8	1	