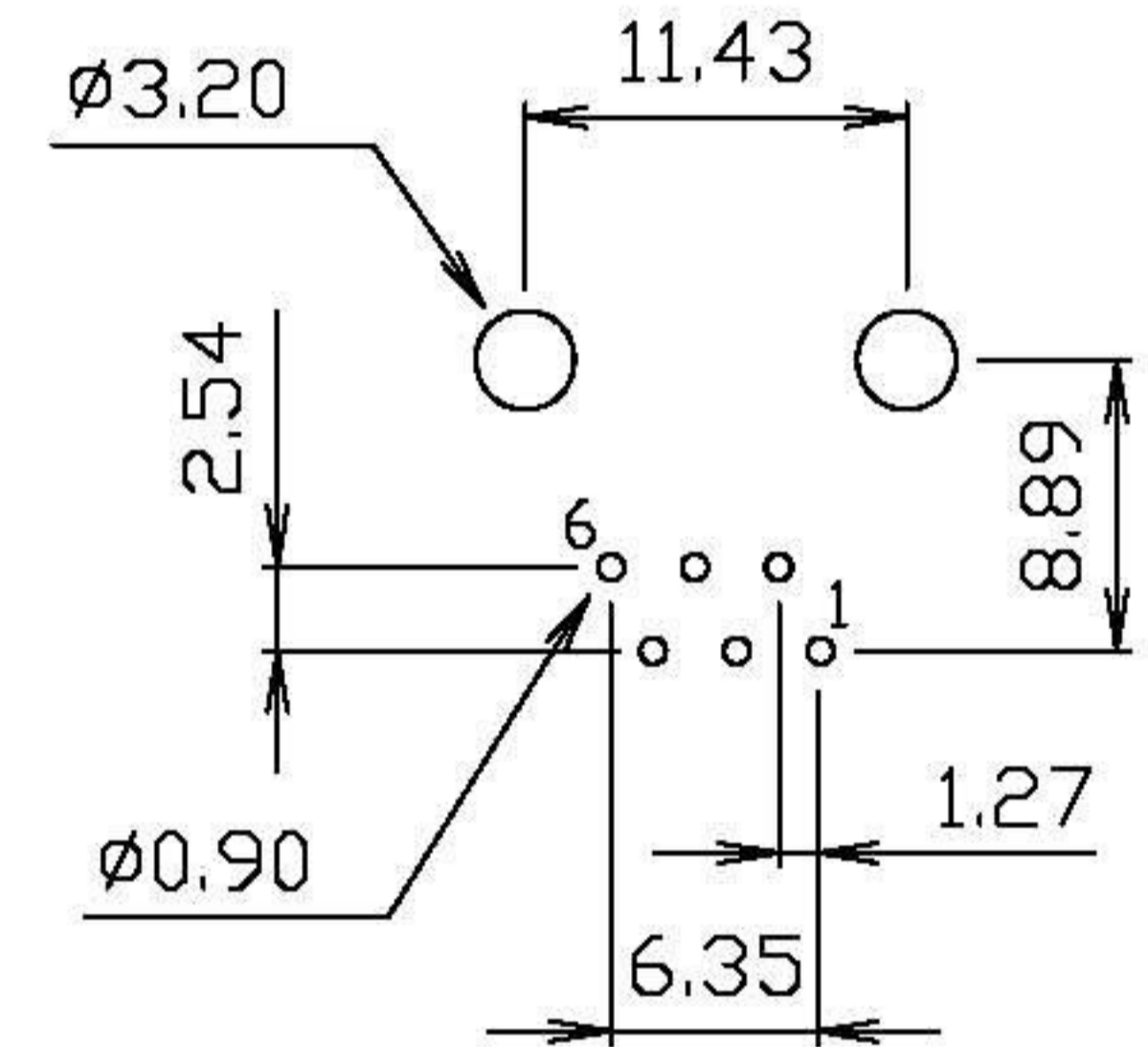
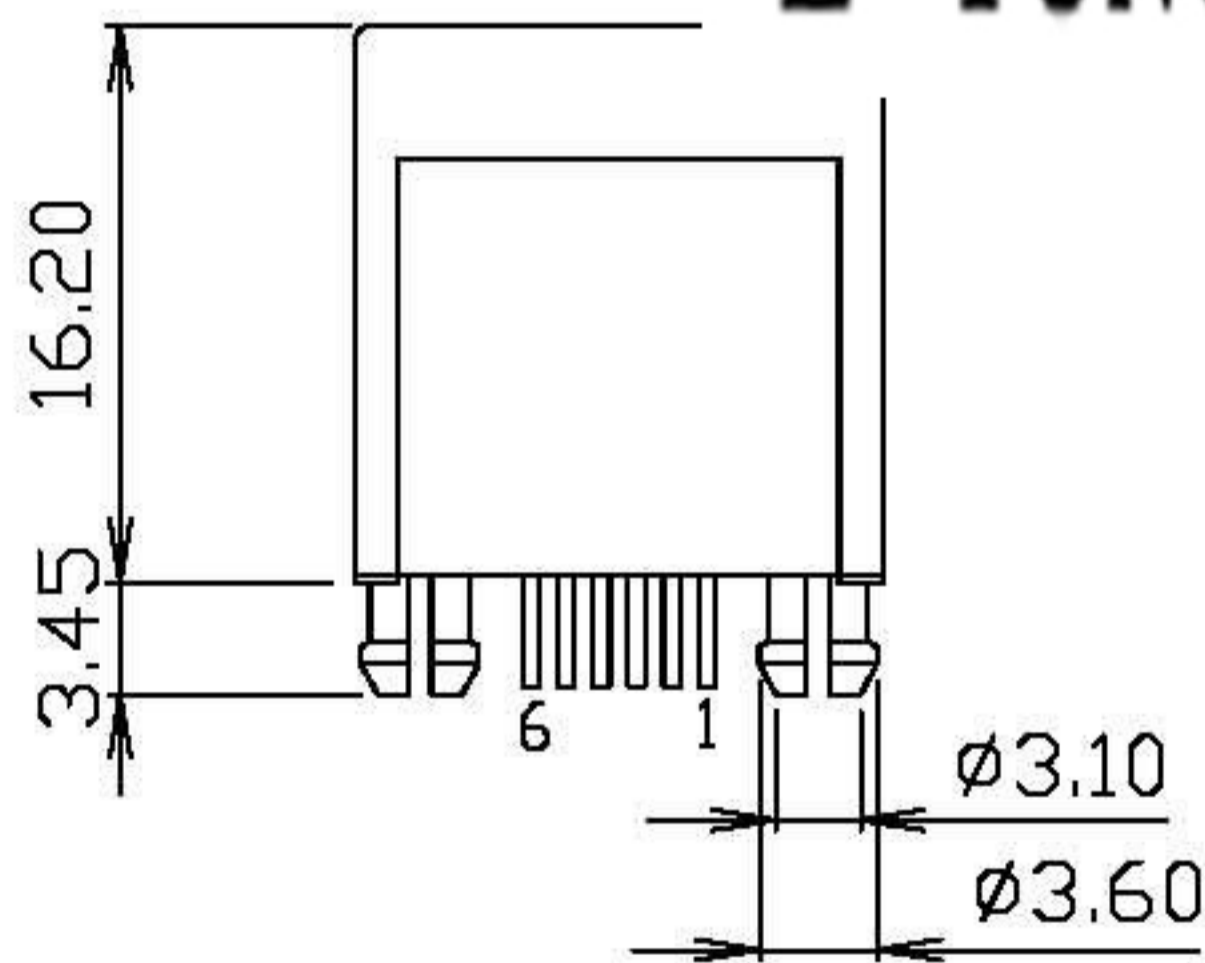


E-YUNG ENTERPRISE CO., LTD.



PCB LAYOUT
Ref.

E-YUNG ENTERPRISE CO., LTD.

DO NOT SCALE DRAWING	TOLERANCES UNLESS OTHERWISE NOTED	INCH	MM	DR. <i>M.L.HUANG</i>	DATE MAR-15 '05
THIRD ANGLE PROJECTION	LINEAR	MM INCH	00 ± .01 000 ± .005 0000 ± .002	CK'D <i>M.CHANG</i>	MAR-15 '05
MM INCH	ANGLE ± 0° 30'	RADII	+ 0.40 - 0.15	APP'D <i>W.J.YANG</i>	MAR-16 '05

TITLE		6POSITION FLAT PIN TOP ENTRY PCB JACK	
SCALE	SIZE	DWG.NO.	REV. SHEET
		964607	2 1