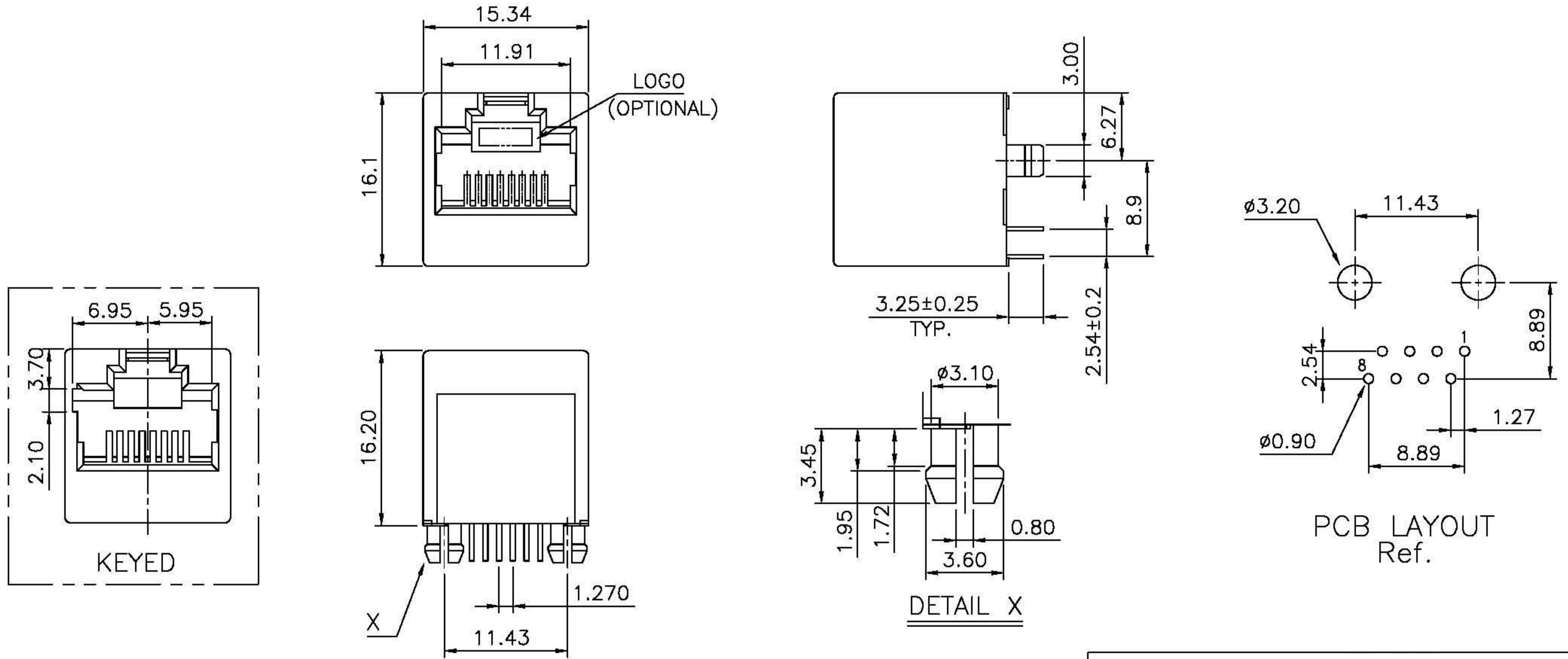
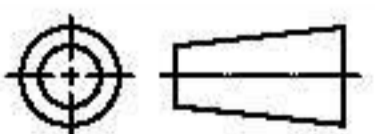


RoHS Compliance



DO NOT SCALE DRAWING	TOLERANCES UNLESS OTHERWISE NOTED	INCH	MM	DR. <i>CIAN.CI.LUO</i>	DATE APR-28 '09
 THIRD ANGLE PROJECTION	LINEAR	$\frac{\text{MM}}{\text{INCH}}$	$00 \pm .01$ $000 \pm .005$ $0000 \pm .002$	CK'D <i>M.CHANG</i>	APR-28 '09
$\frac{\text{MM}}{\text{INCH}}$	ANGLE $\pm 0^\circ 30'$	RADII	$\pm 0.40$ $- 0.15$	APP'D <i>W.J.YANG</i>	APR-29 '09

<b>E-YUNG ENTERPRISE CO., LTD.</b>				
TITLE		RJ45, FLAT PIN TOP ENTRY PCB JACK		
SCALE	SIZE	DWG.NO.	REV.	SHEET
		964601	8	1