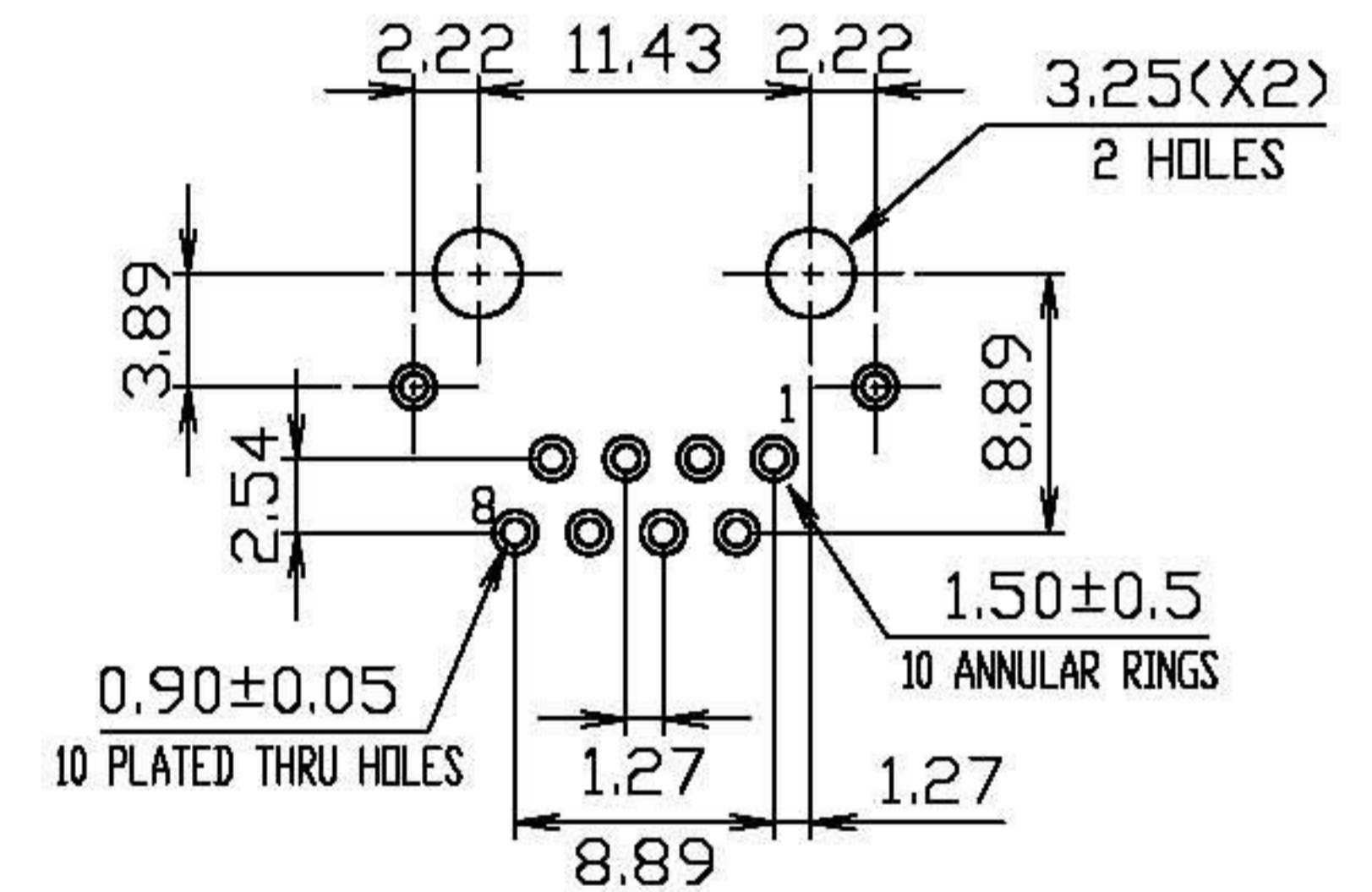
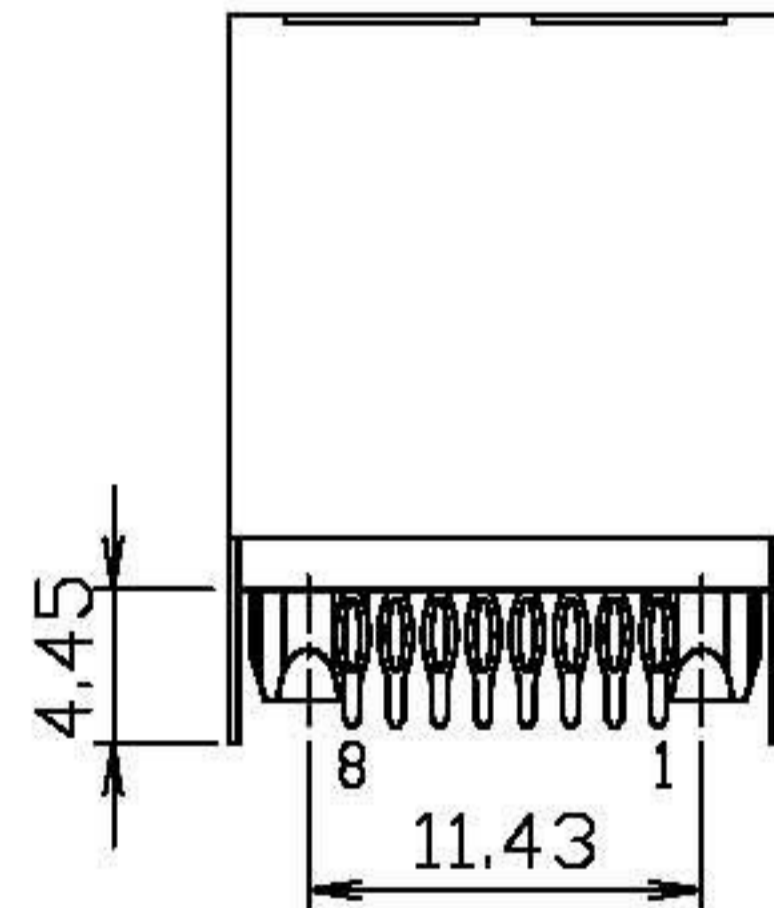
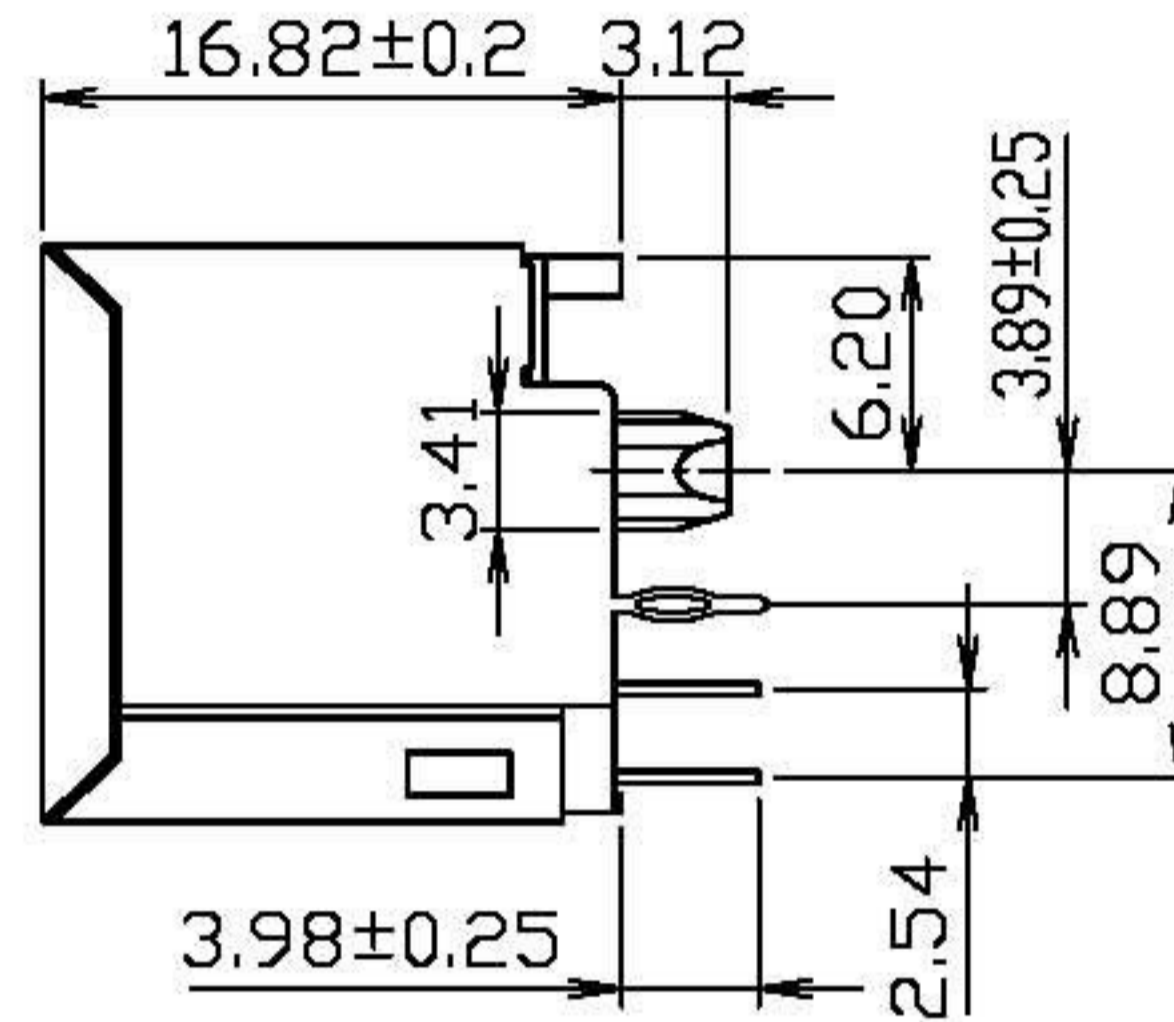
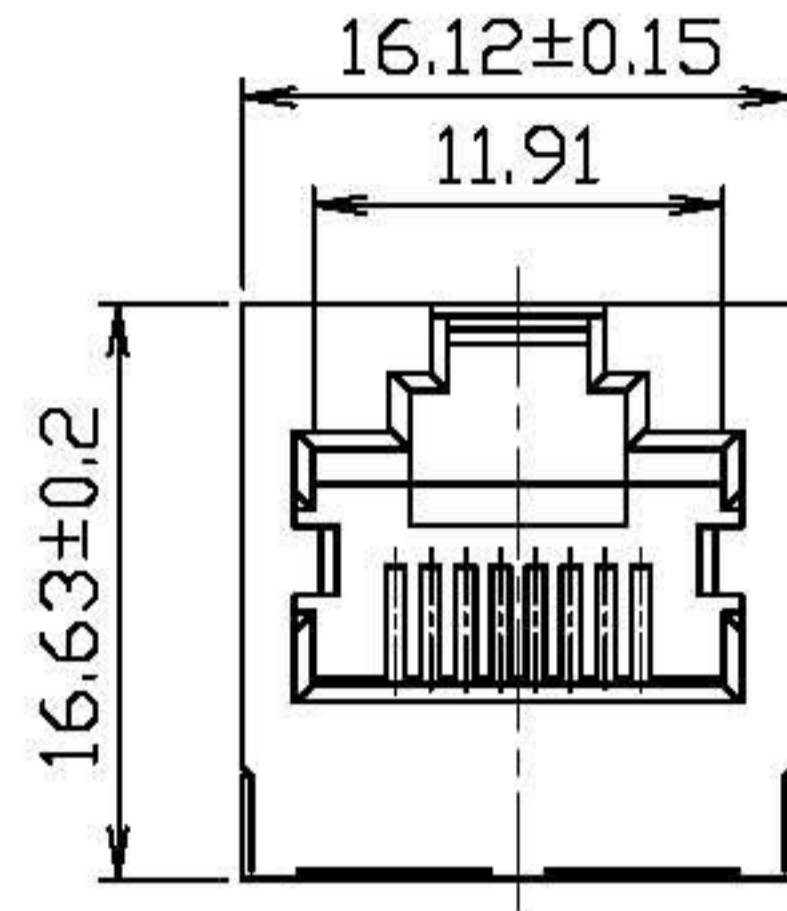


RoHS Compliance



PC Board Layout
REF.

E-YUNG ENTERPRISE CO., LTD.

DO NOT SCALE
DRAWING

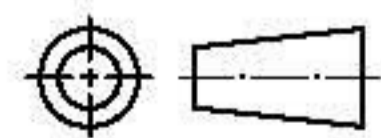
TOLERANCES UNLESS
OTHERWISE NOTED

INCH

MM

DR.
CIAN.CI.LUO

DATE
MAR-19 '08



THIRD ANGLE PROJECTION

LINEAR $\frac{\text{MM}}{\text{INCH}}$

$00 \pm .01$
 $000 \pm .005$
 $0000 \pm .002$

0.0 ± 0.25
 0.00 ± 0.13
 0.000 ± 0.05

CK'D
M.CHANG

MAR-19 '08

TITLE
8POSITION PRESS FIT SHIELDED
TOP ENTRY PCB JACK

MM
INCH

ANGLE $\pm 0^\circ 30'$

RADII

$+ 0.40$
 $- 0.15$

APP'D
W.J.YANG

MAR-20 '08

SCALE SIZE DWG.NO.

964501

REV.

2

SHEET

1