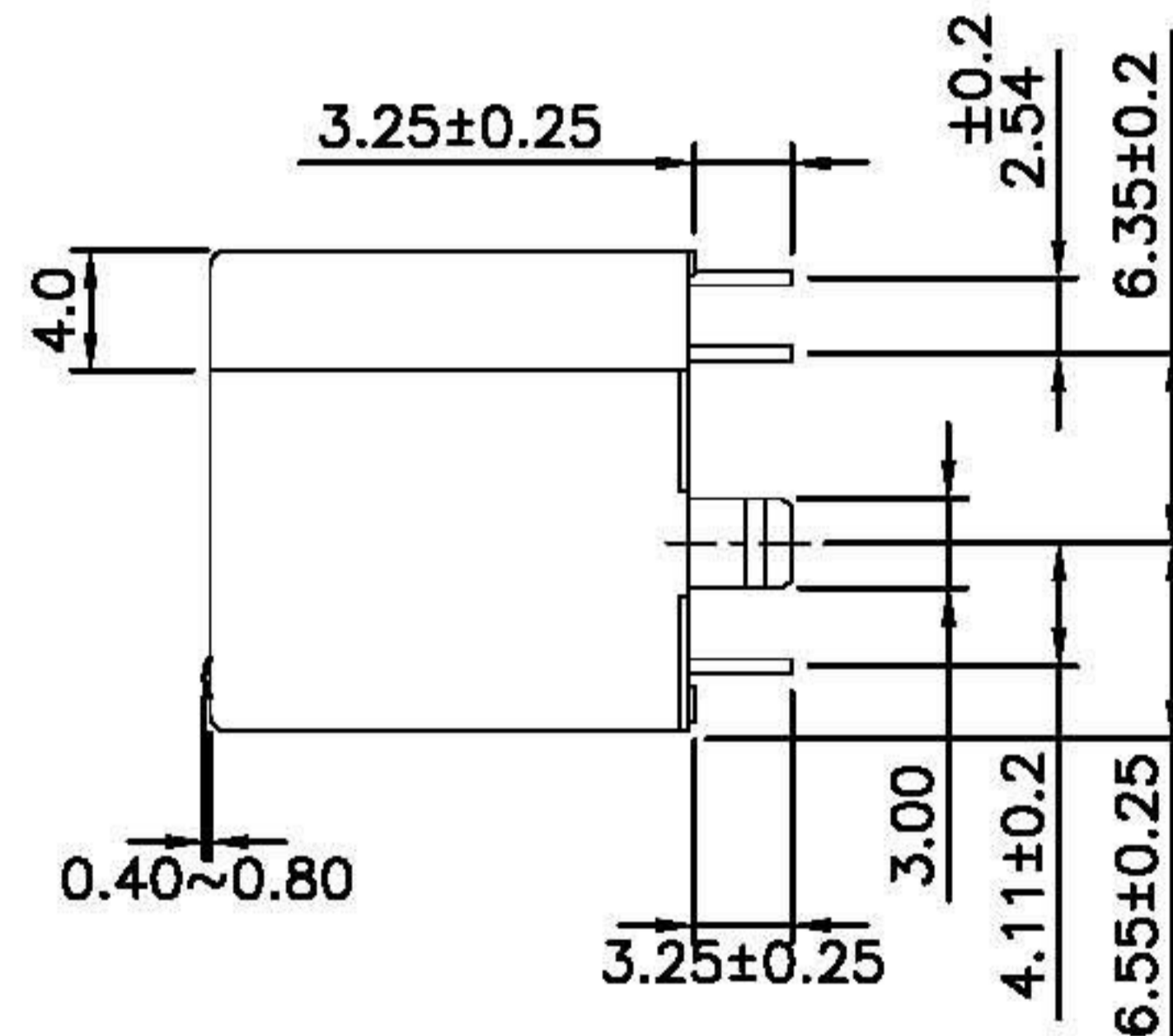
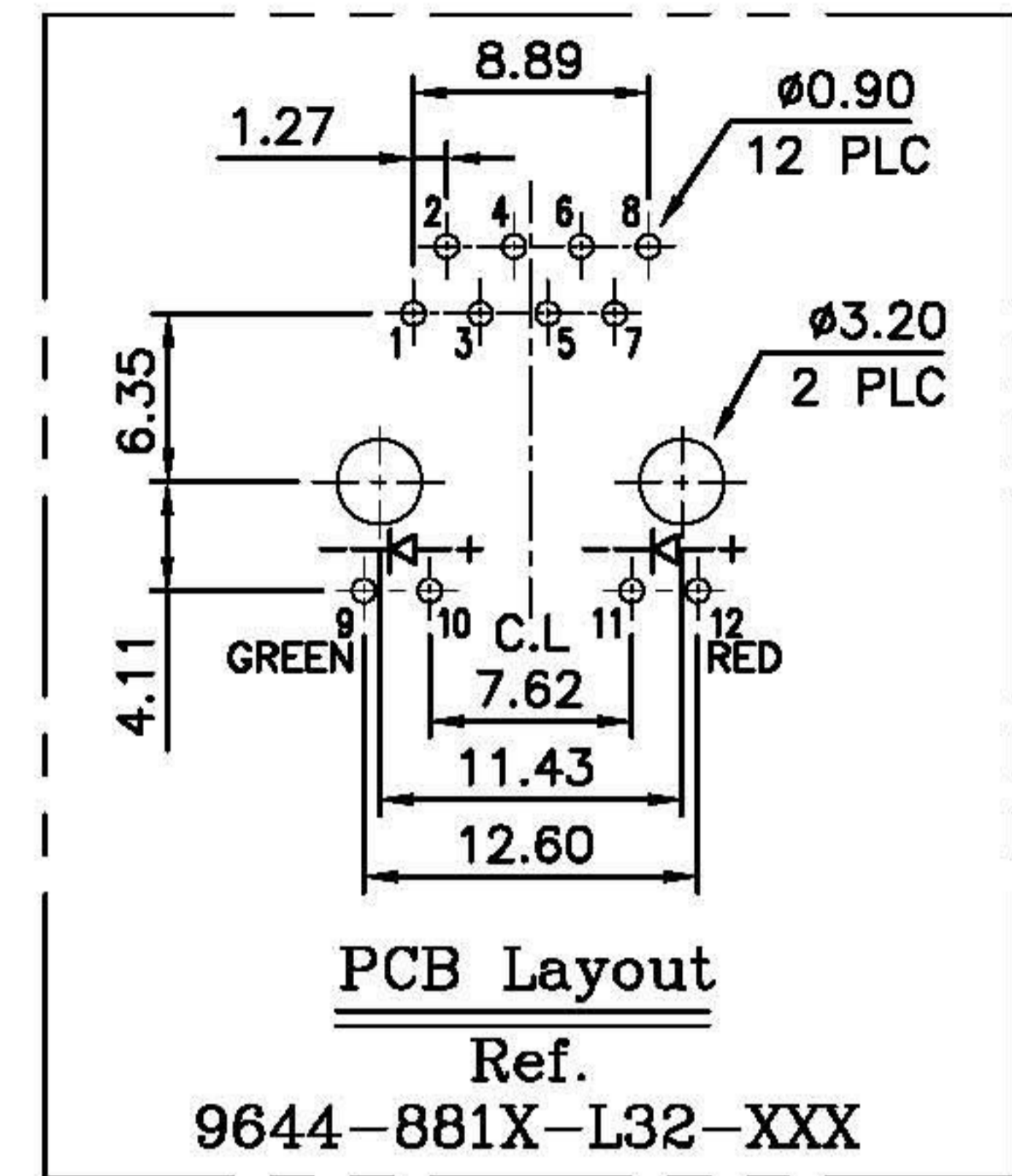
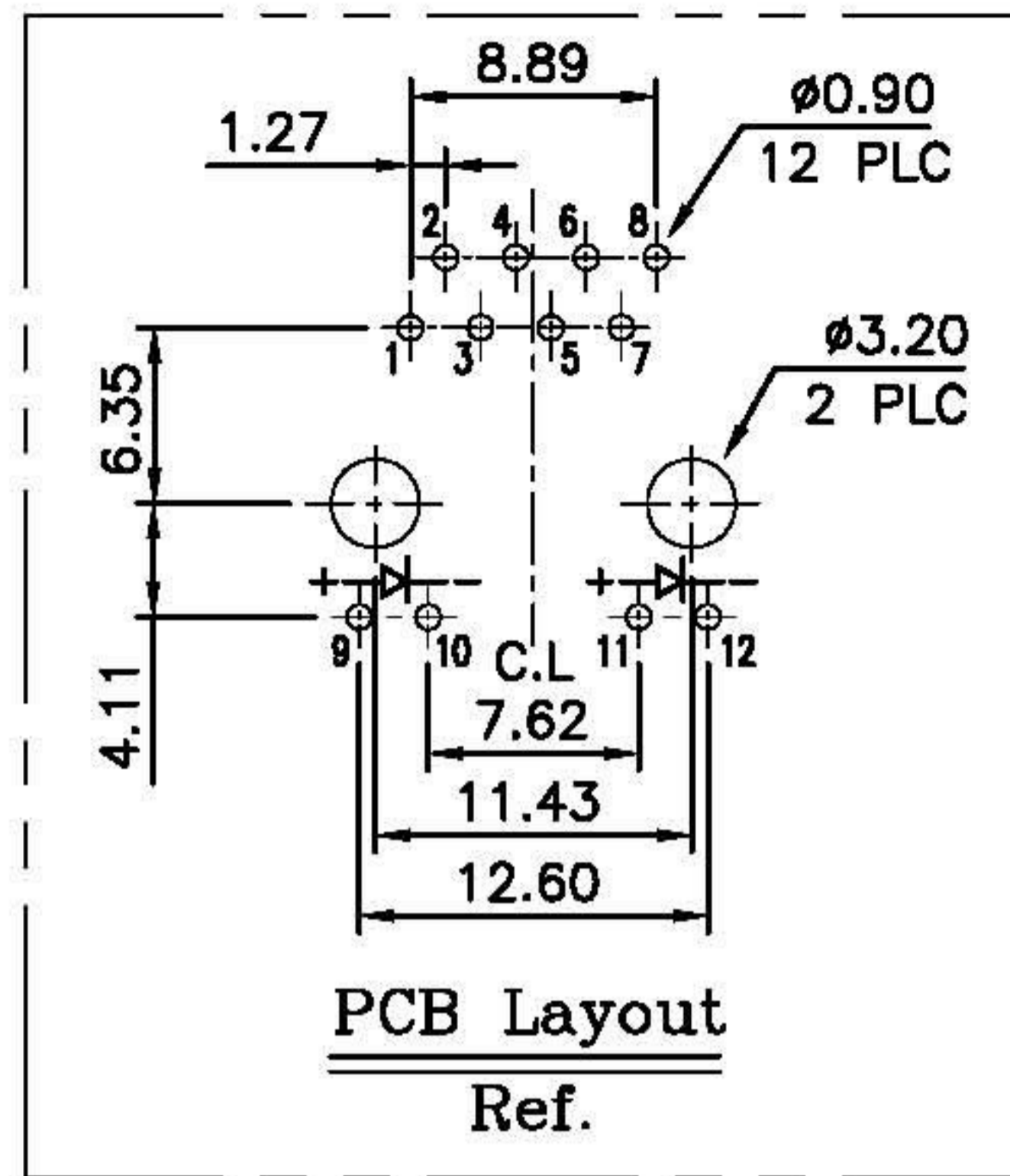
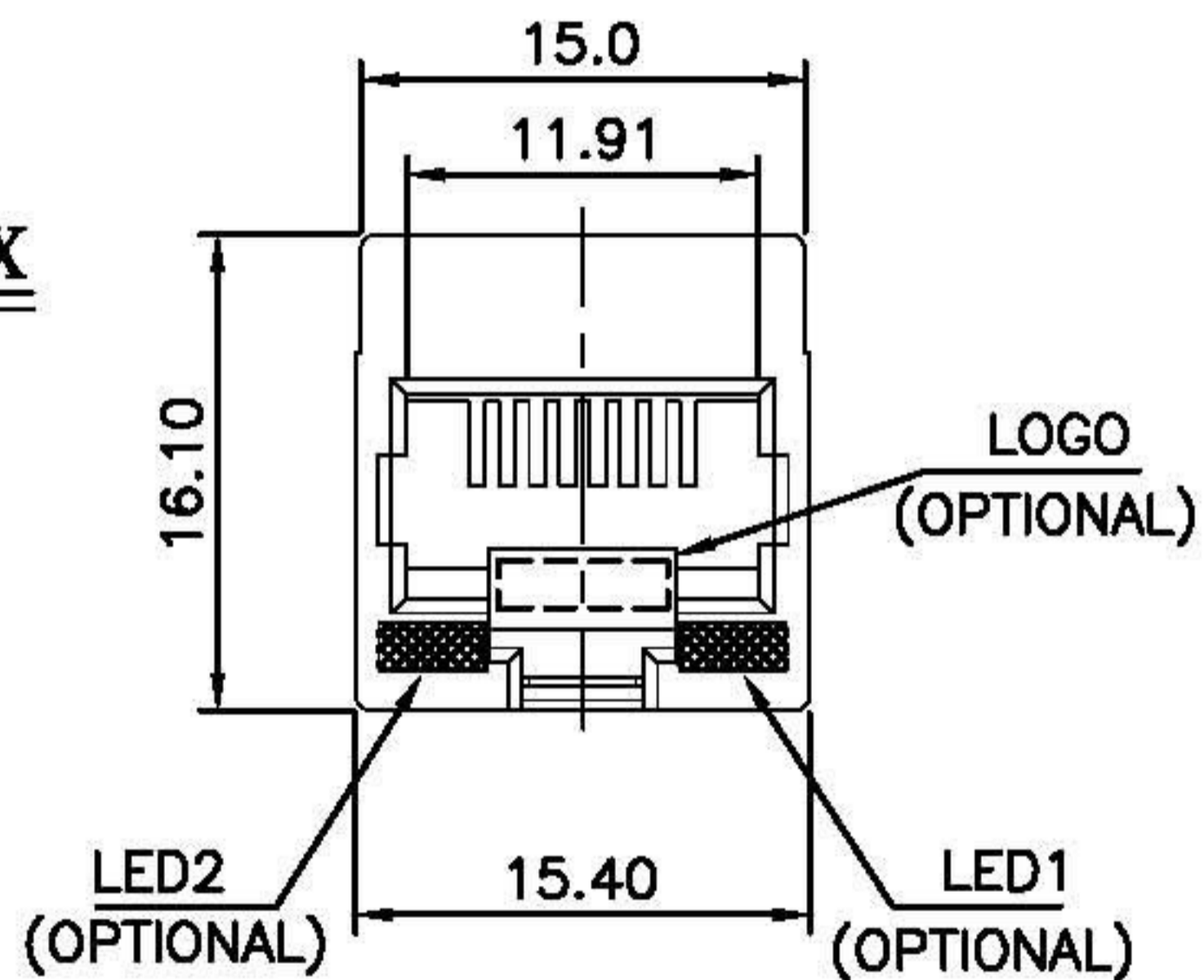
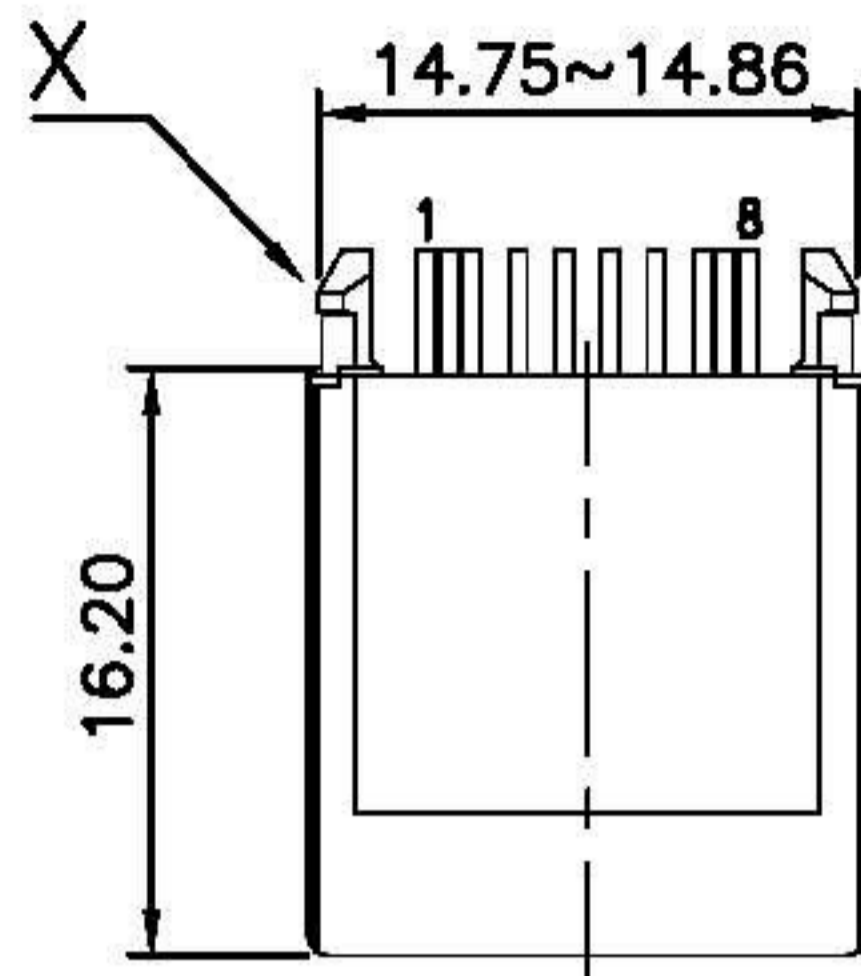


DETAIL X



DO NOT SCALE DRAWING	TOLERANCES UNLESS OTHERWISE NOTED	INCH	MM	DR. <i>CIAN.CI.LUO</i>	DATE JAN-03 '08
THIRD ANGLE PROJECTION	LINEAR	$00 \pm .01$ $000 \pm .005$ $0000 \pm .002$	0.0 ± 0.25 0.00 ± 0.13 0.000 ± 0.05	CK'D <i>M.CHANG</i>	JAN-03 '08
MM INCH	ANGLE $\pm 0^{\circ} 30'$	RADII	$+ 0.40$ $- 0.15$	APP'D <i>W.J.YANG</i>	JAN-05 '08

E-YUNG ENTERPRISE CO., LTD.

TITLE	RJ45, WITH LED'S, SHIELDLESS FLAT PIN, TOP ENTRY PCB JACK		
SCALE	SIZE	DWG.NO.	REV. SHEET
		964402	7 1