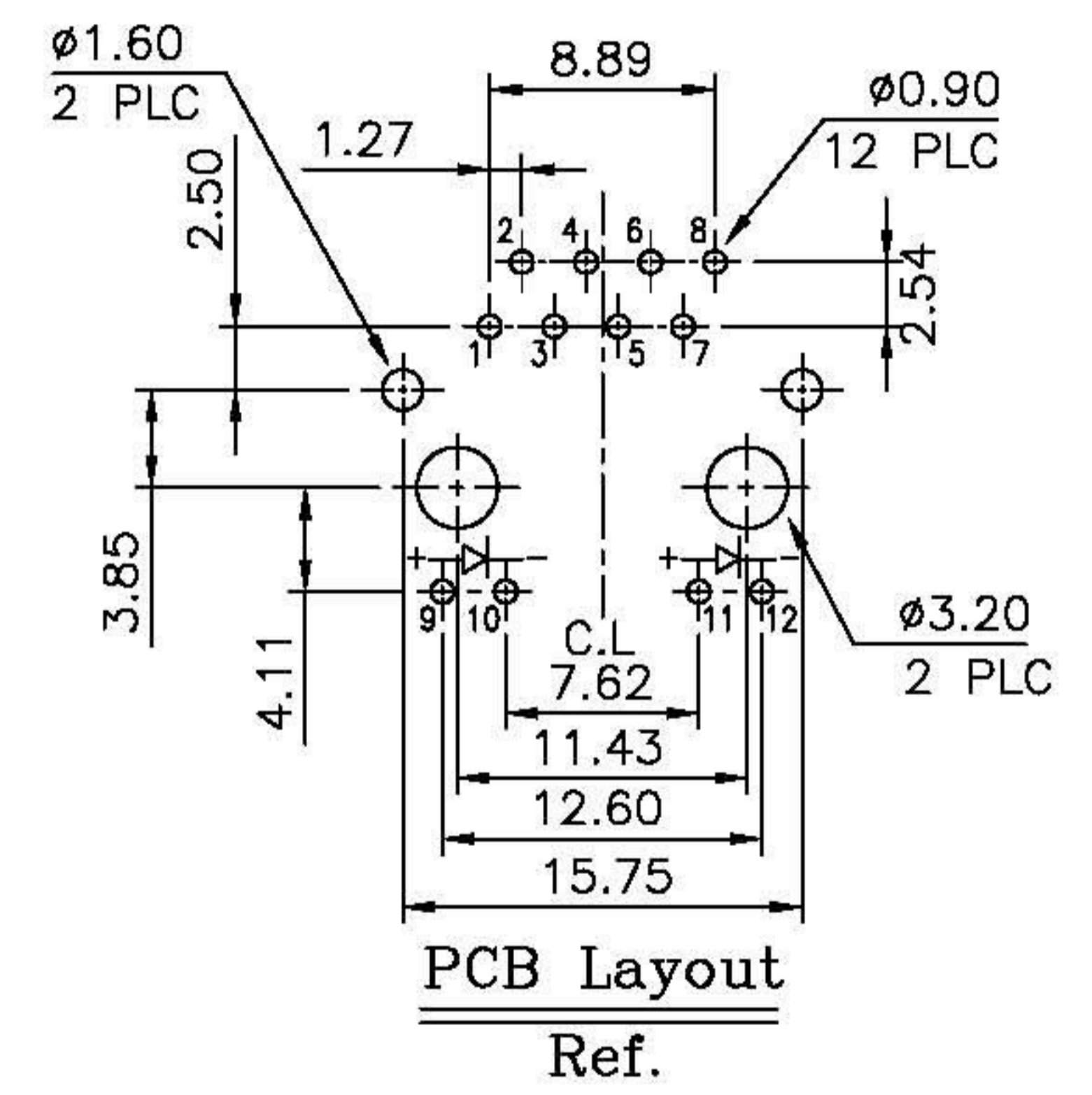
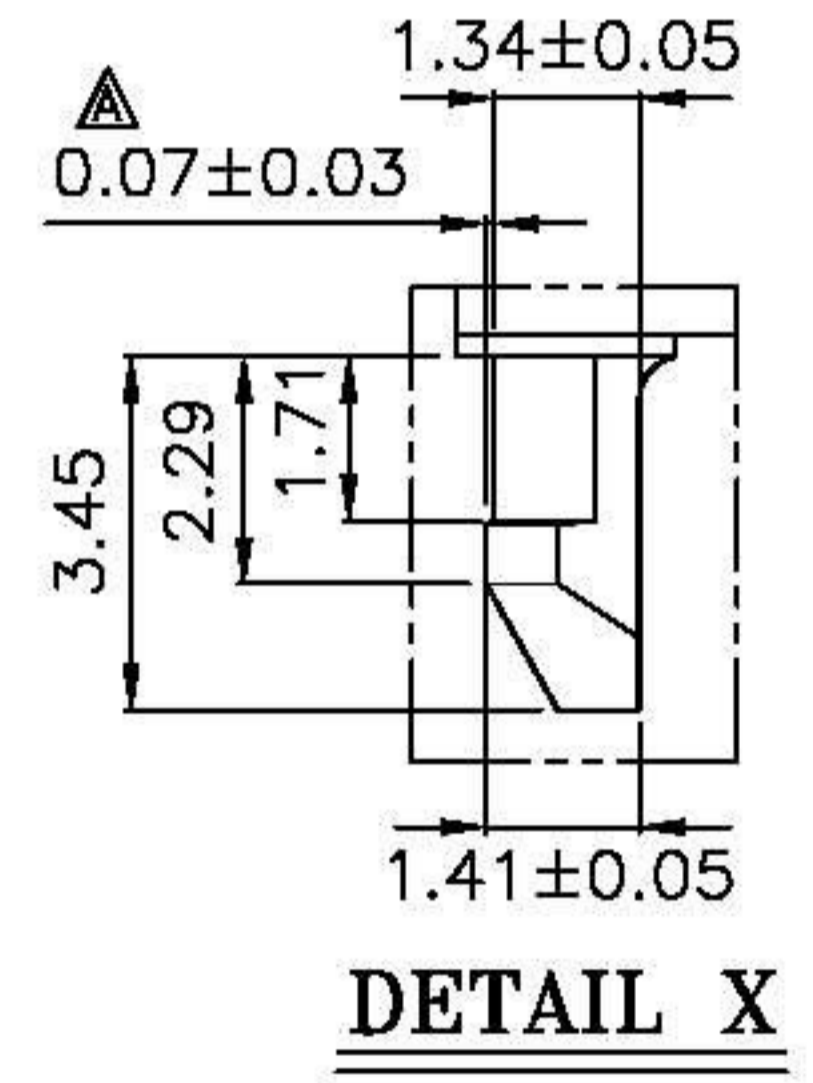
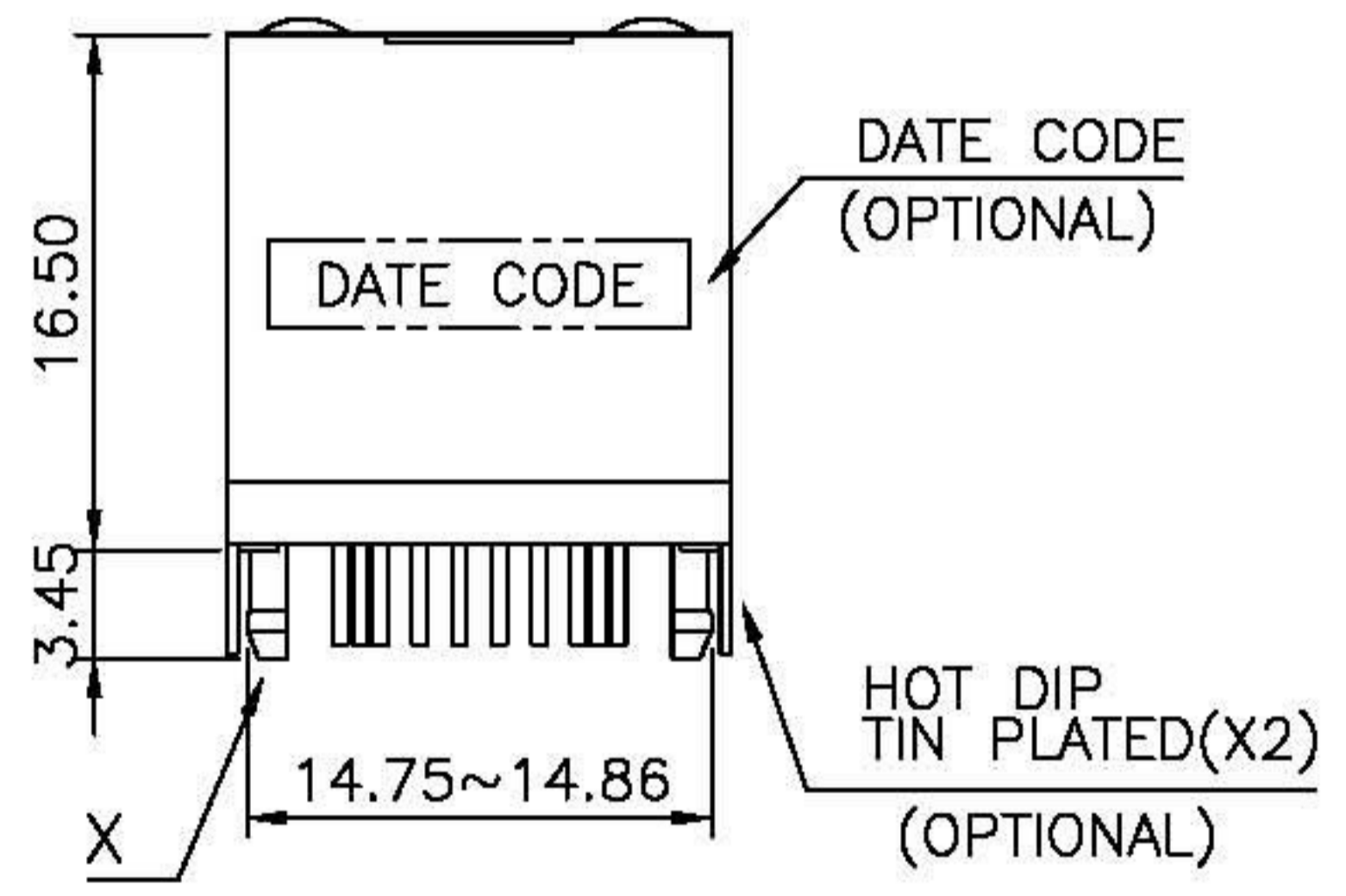


REVISIONS			
LTR	DESCRIPTION	DATE	APP
△	0.70±0.03	08/21/03	CHANG



DO NOT SCALE DRAWING	TOLERANCES UNLESS OTHERWISE NOTED	INCH	MM	DR. <i>M.L.HUANG</i>	DATE AUG-01 '06
THIRD ANGLE PROJECTION	LINEAR	$00 \pm .01$ $000 \pm .005$ $0000 \pm .002$	0.0 ± 0.25 0.00 ± 0.13 0.000 ± 0.05	CK'D <i>M.CHANG</i>	AUG-01 '06
MM INCH	ANGLE $\pm 0^\circ 30'$	RADII	$+ 0.40$ $- 0.15$	APP'D <i>W.J.YANG</i>	AUG-02 '06

E-YUNG ENTERPRISE CO., LTD.				
TITLE		RJ45, WITH LED'S, SHIELDED FLAT PIN, TOP ENTRY PCB JACK		
SCALE	SIZE	DWG.NO.	REV.	SHEET
		964401	9	1