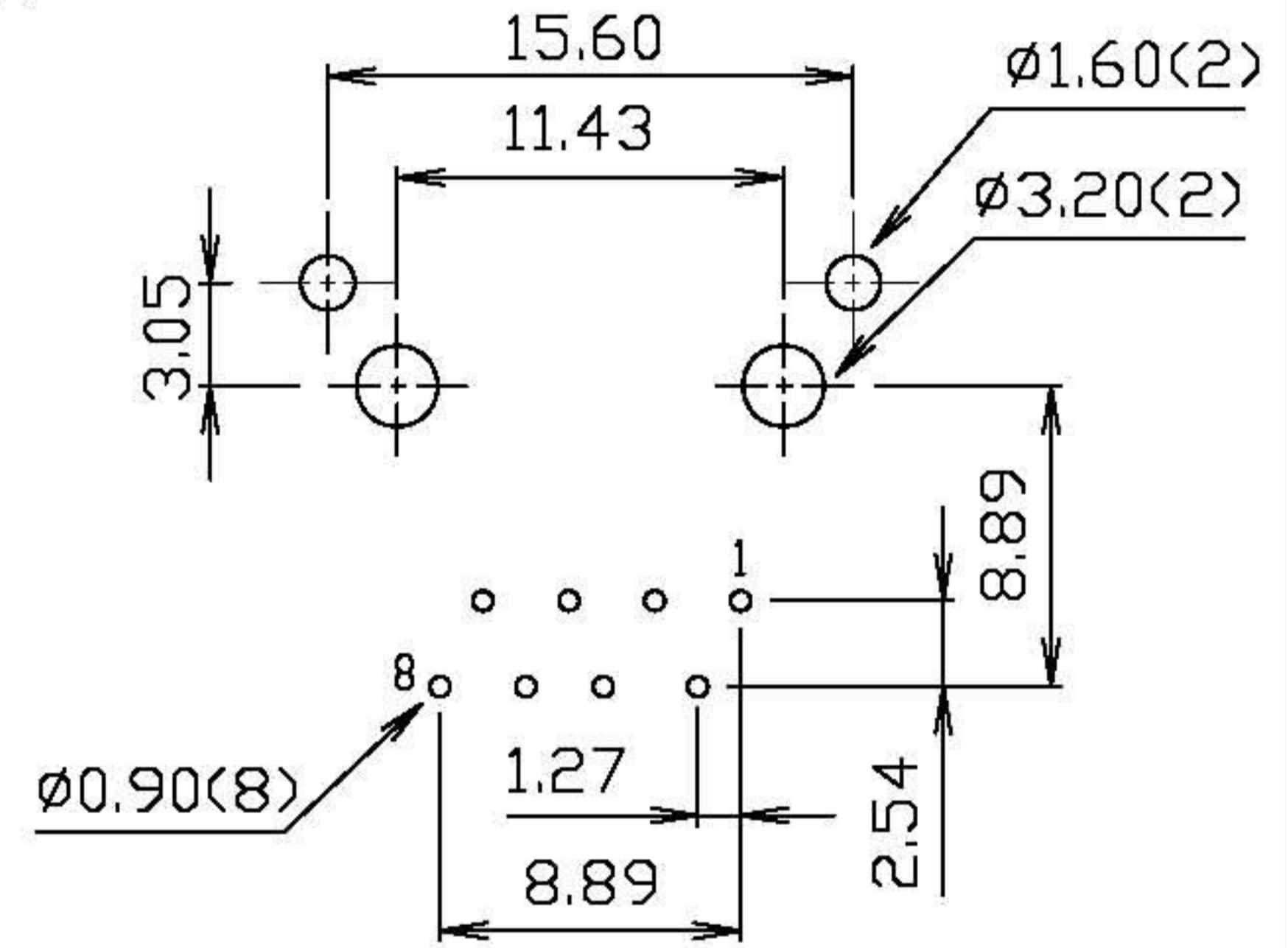
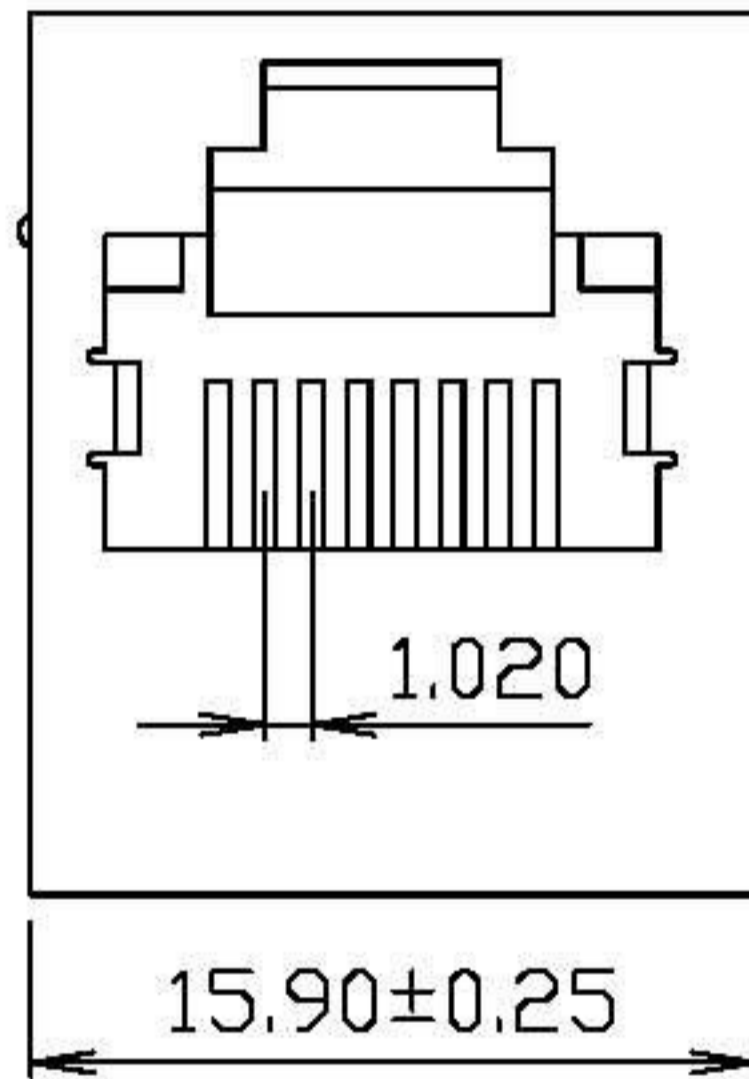
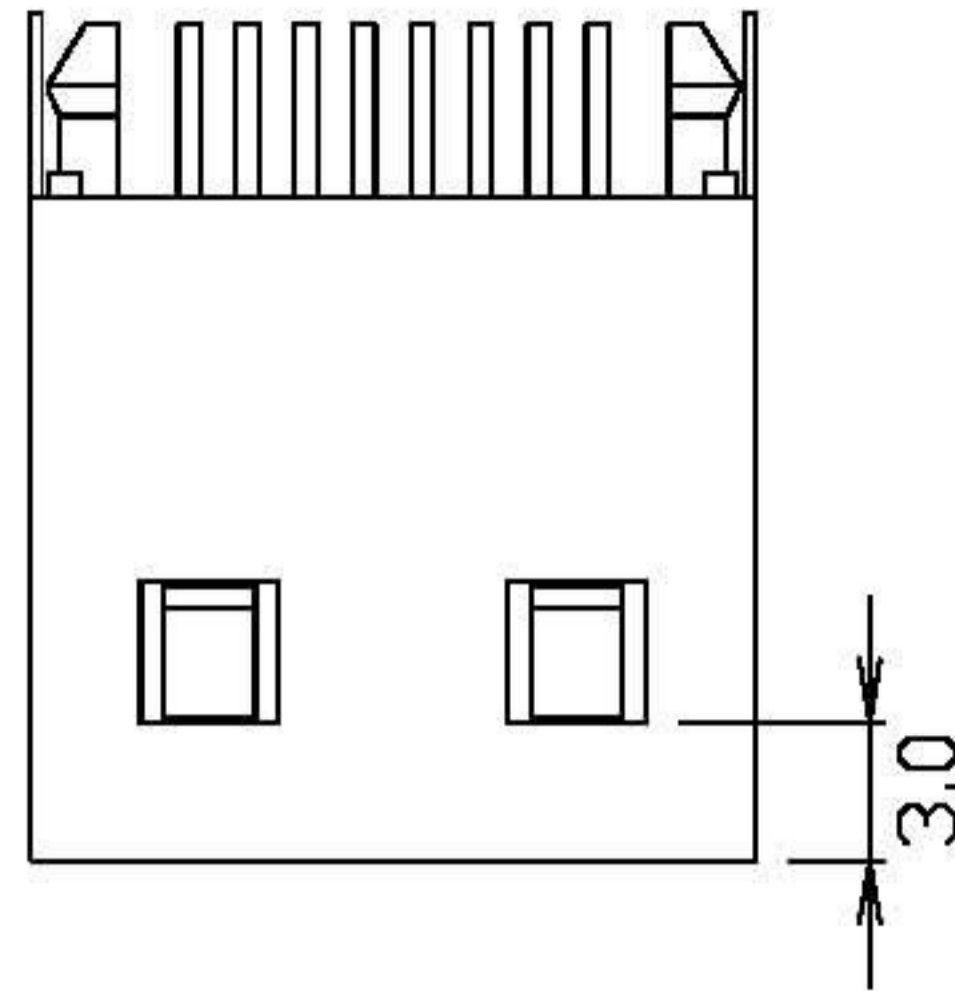
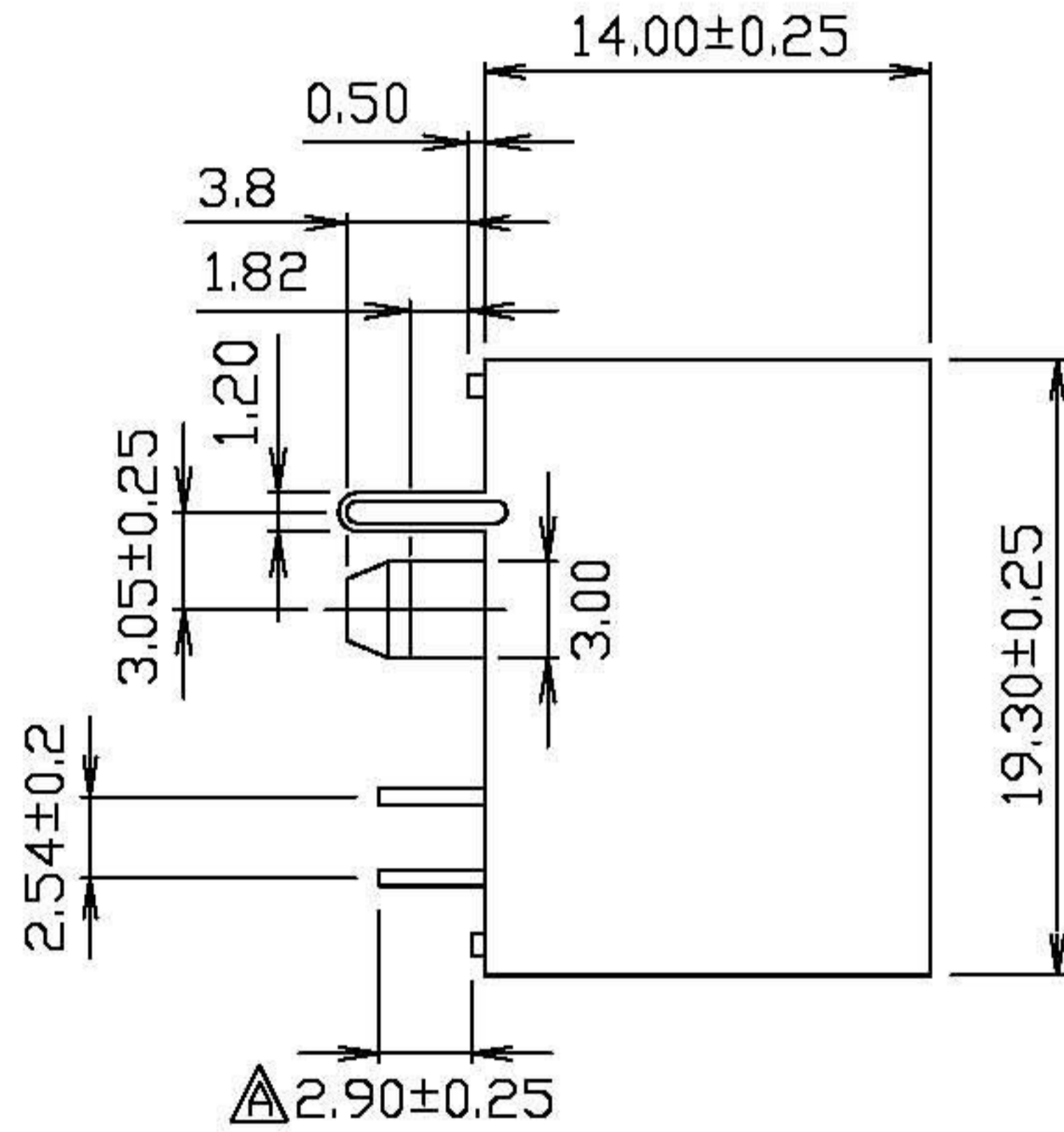
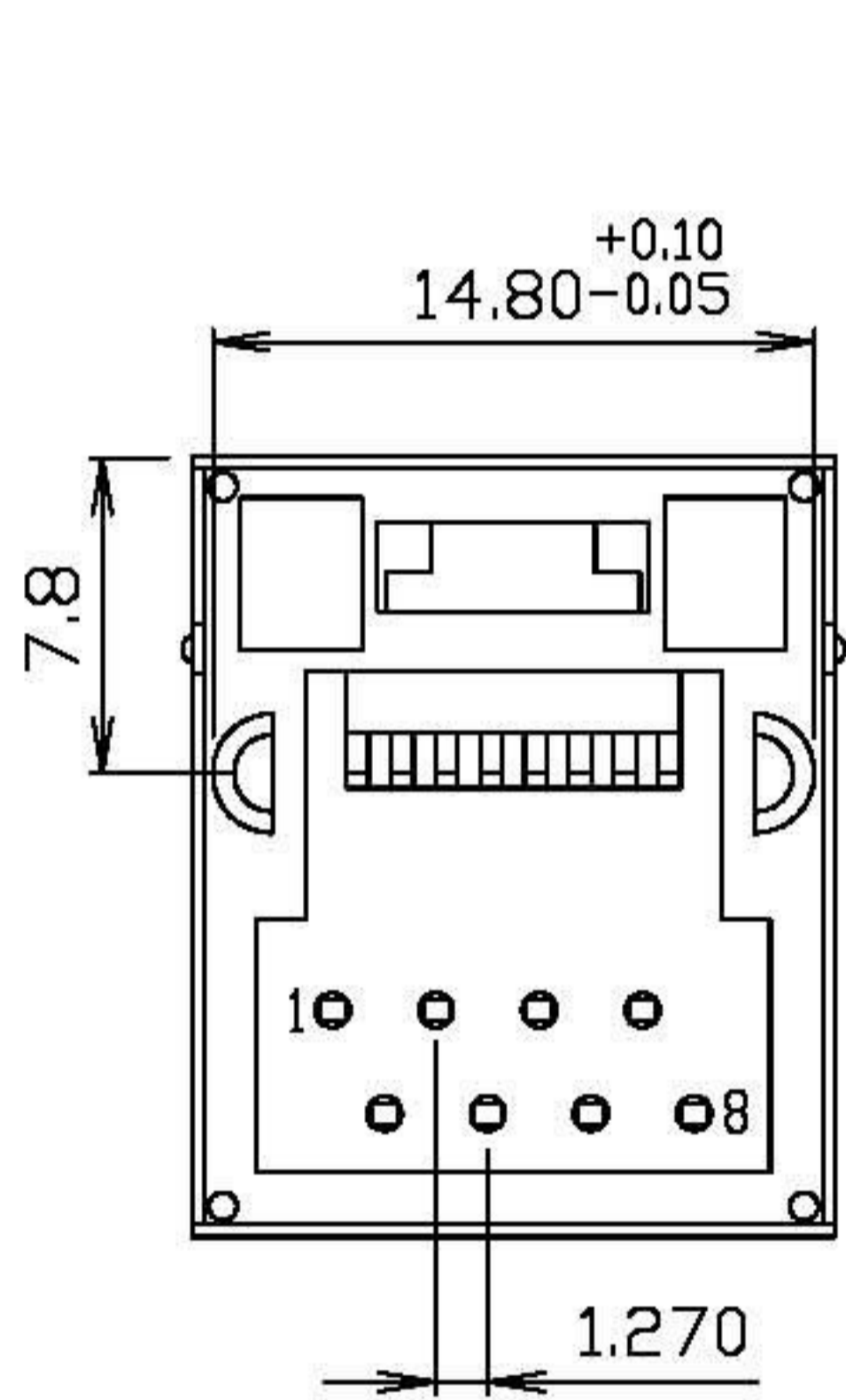


REVISIONS			
LTR	DESCRIPTION	DATE	APP
△	3.25±0.25	12/17/'01	CHANG



★ 須經壓台 H028A 整針後再加鐵殼

E-YUNG ENTERPRISE CO., LTD.

DO NOT SCALE DRAWING

TOLERANCES UNLESS OTHERWISE NOTED

INCH

MM

DR.

M.L.HAUNG

DATE

MAY-11 '04

THIRD ANGLE PROJECTION

LINEAR $\frac{\text{MM}}{\text{INCH}}$

00 ± .01
000 ± .005
0000 ± .002

0.0 ± 0.25
0.00 ± 0.13
0.000 ± 0.05

CK'D

M.CHANG

MAY-11 '04

TITLE RJ45, CAT.5, FLAT CONTACTS SHIELDED, TOP ENTRY PCB JACK

MM
INCH

ANGLE ± 0° 30'

RADII

+ 0.40
- 0.15

APP'D

W.J.YANG

MAY-12 '04

SCALE SIZE DWG.NO. 964002 REV. SHEET 3 1