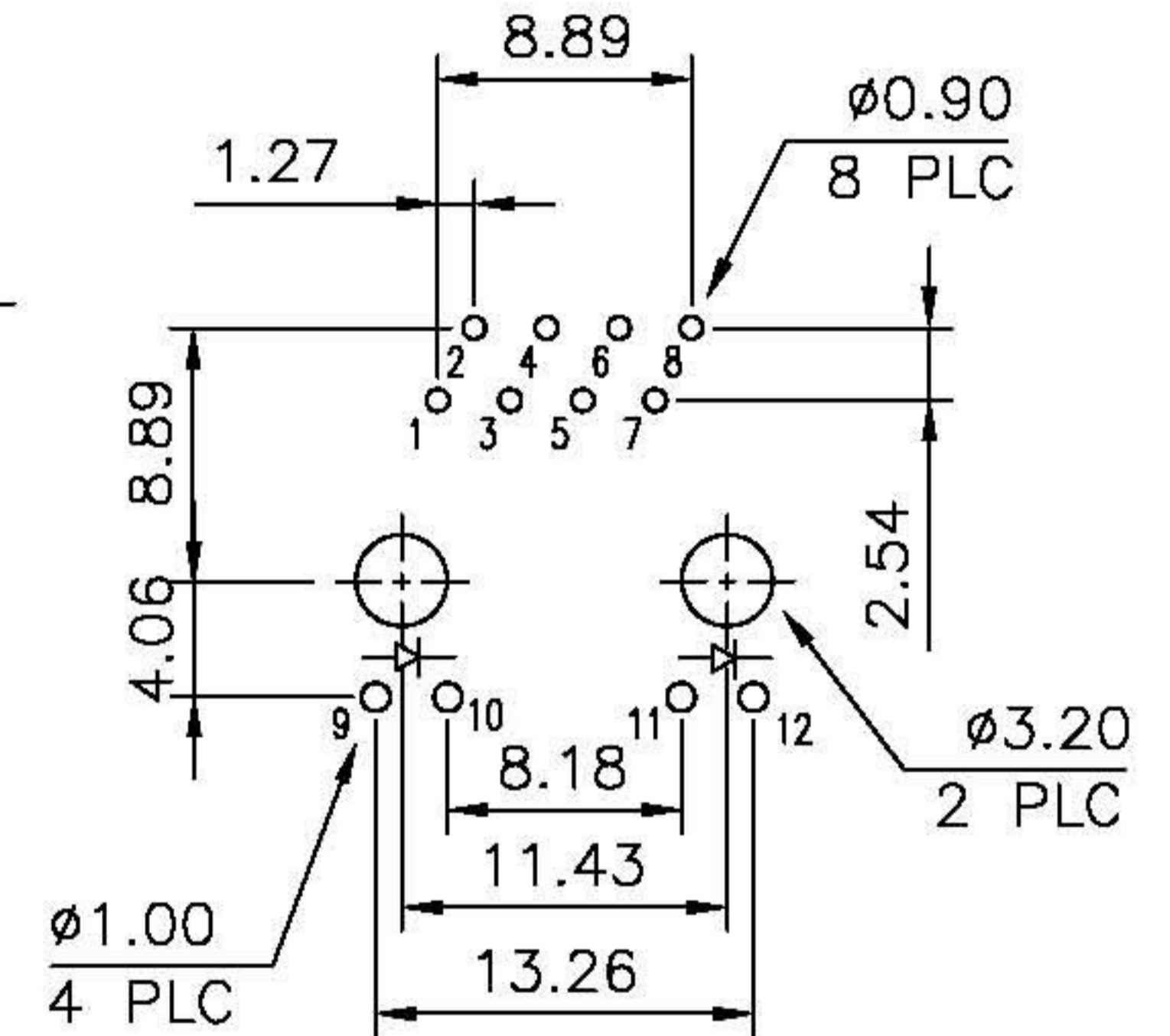
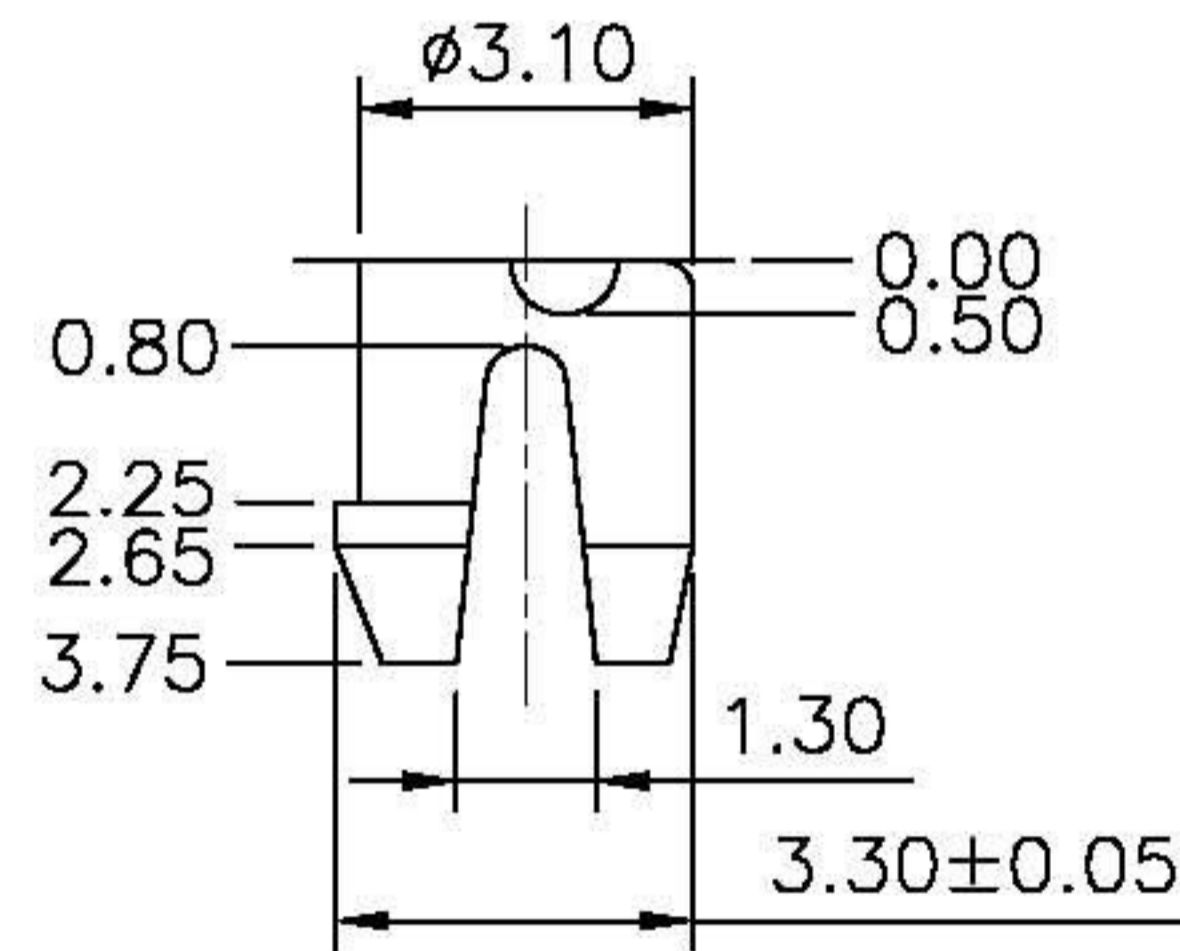
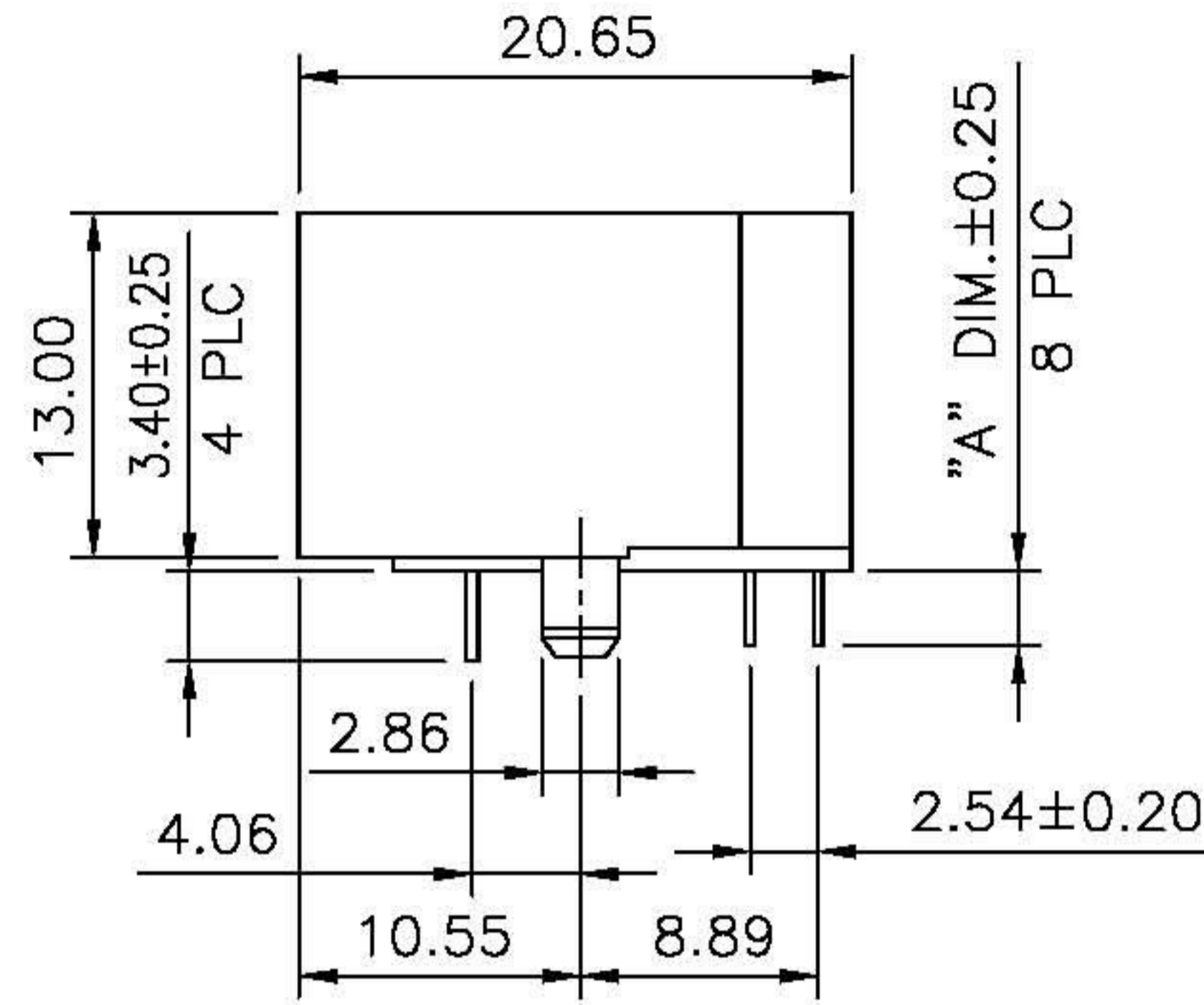
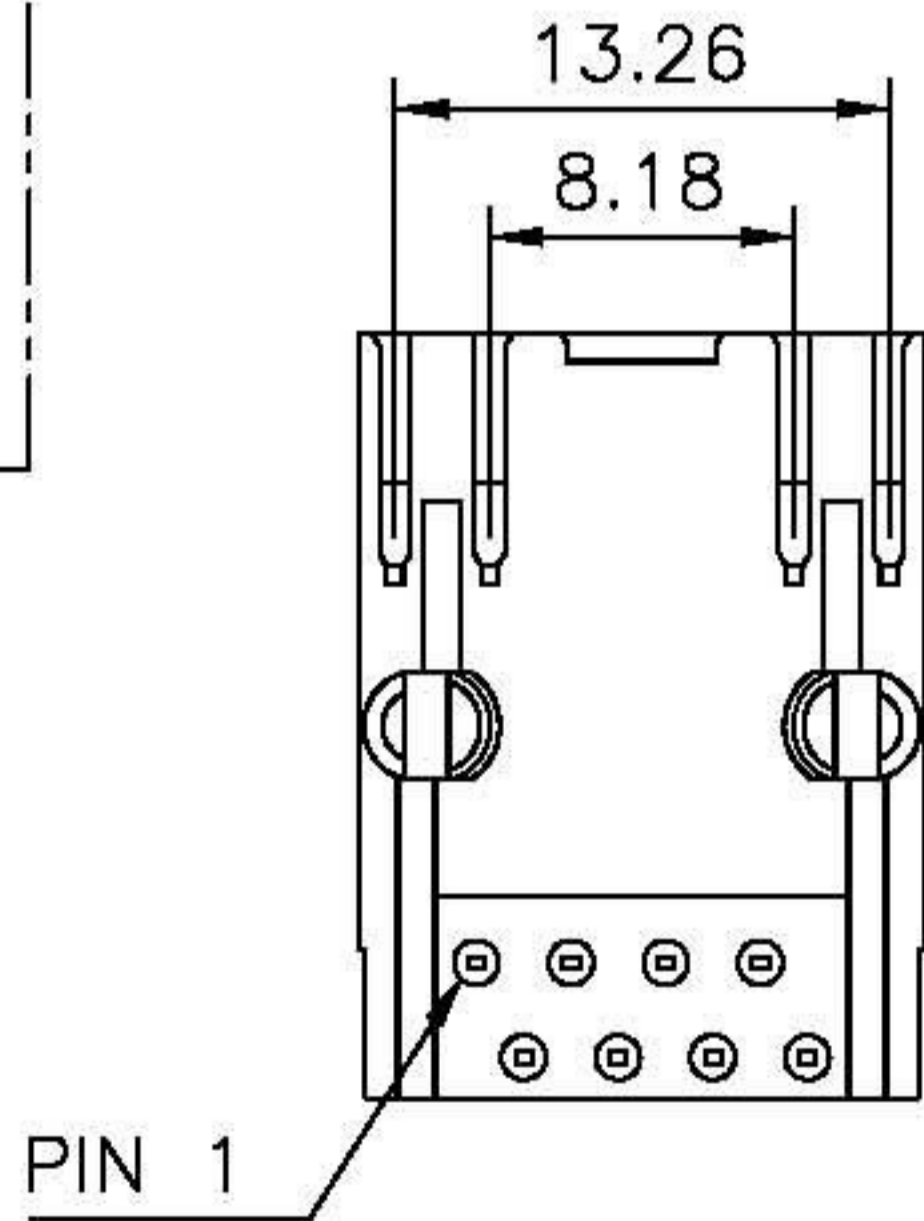
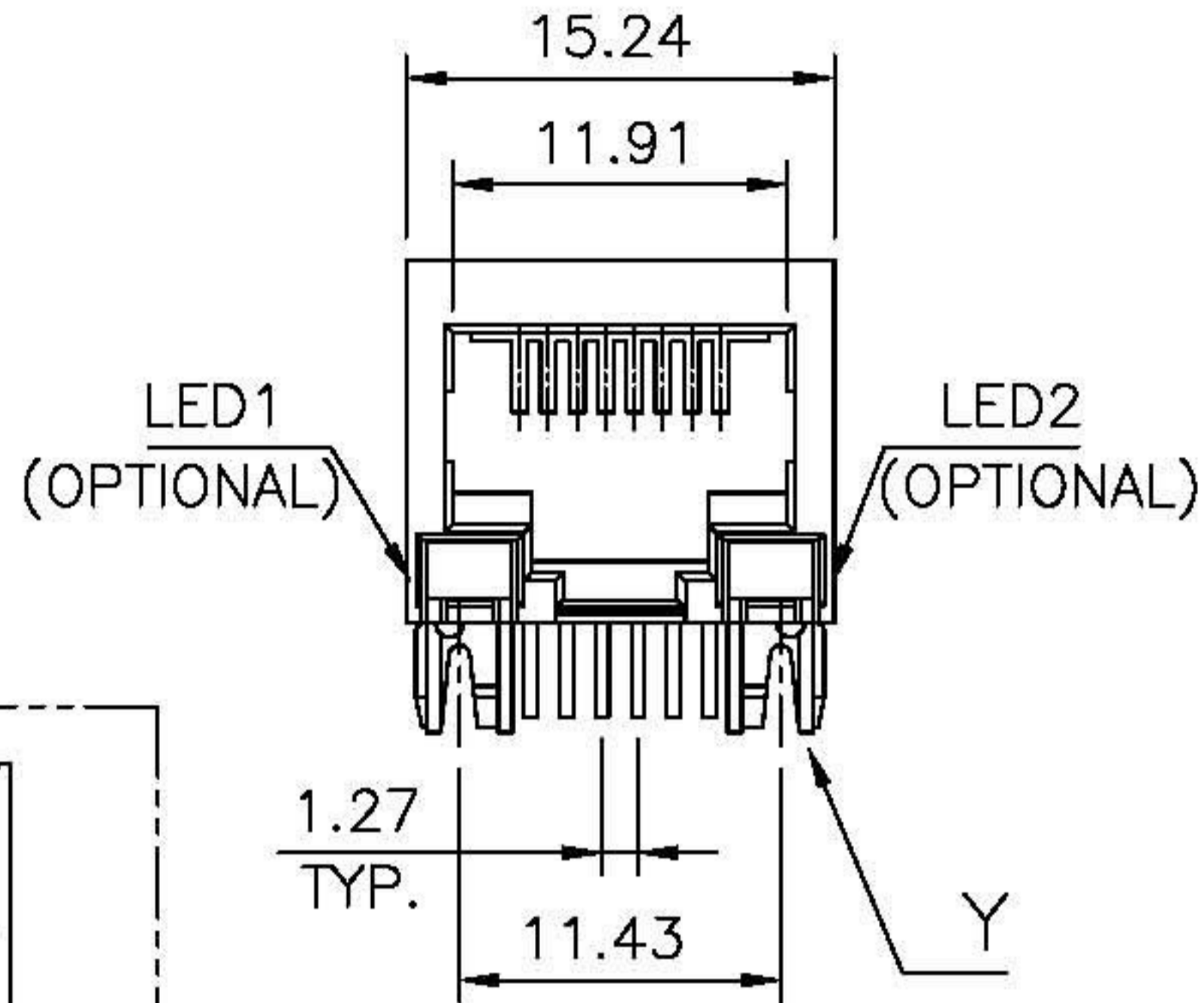
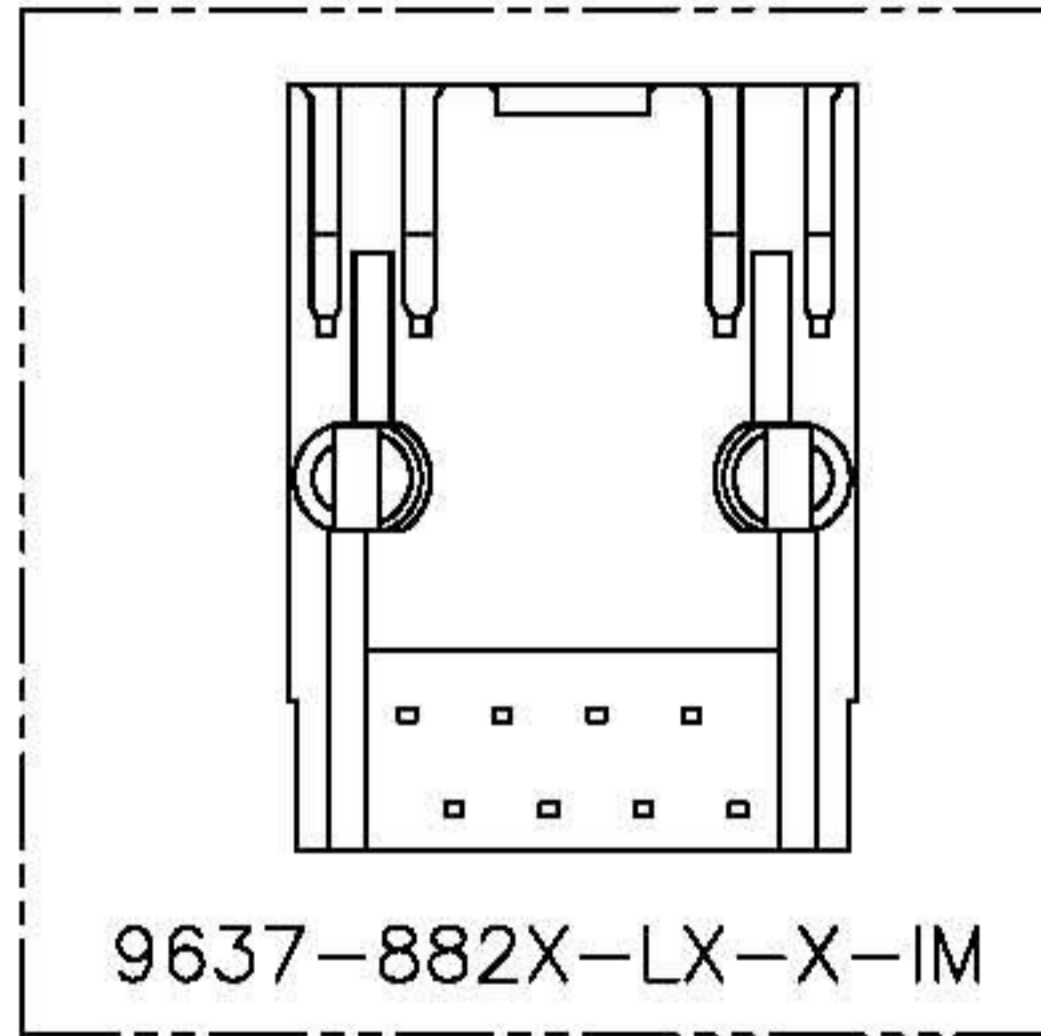


RoHS Compliance



PCB LAYOUT
Ref.

DO NOT SCALE DRAWING	TOLERANCES UNLESS OTHERWISE NOTED	INCH	MM	DR. <i>M.L.HUANG</i>	DATE FEB-22 '10
THIRD ANGLE PROJECTION	LINEAR MM INCH	00± 000± 0000±	0.0±0.25 0.00±0.20 0.000±0.10	CK'D <i>M.CHANG</i>	FEB-22 '10
MM INCH	ANGLE ±0° 30'	RADII	+0.40 -0.15	APP'D <i>W.J.YANG</i>	FEB-23 '10

E-YUNG ENTERPRISE CO., LTD.

TITLE SINGLE PORT, RJ45, SHIELDLESS, FLAT PIN, WITH LED'S, SIDE ENTRY PCB JACK

SCALE	SIZE	DWG.NO.	REV.	SHEET
		963704	7	1