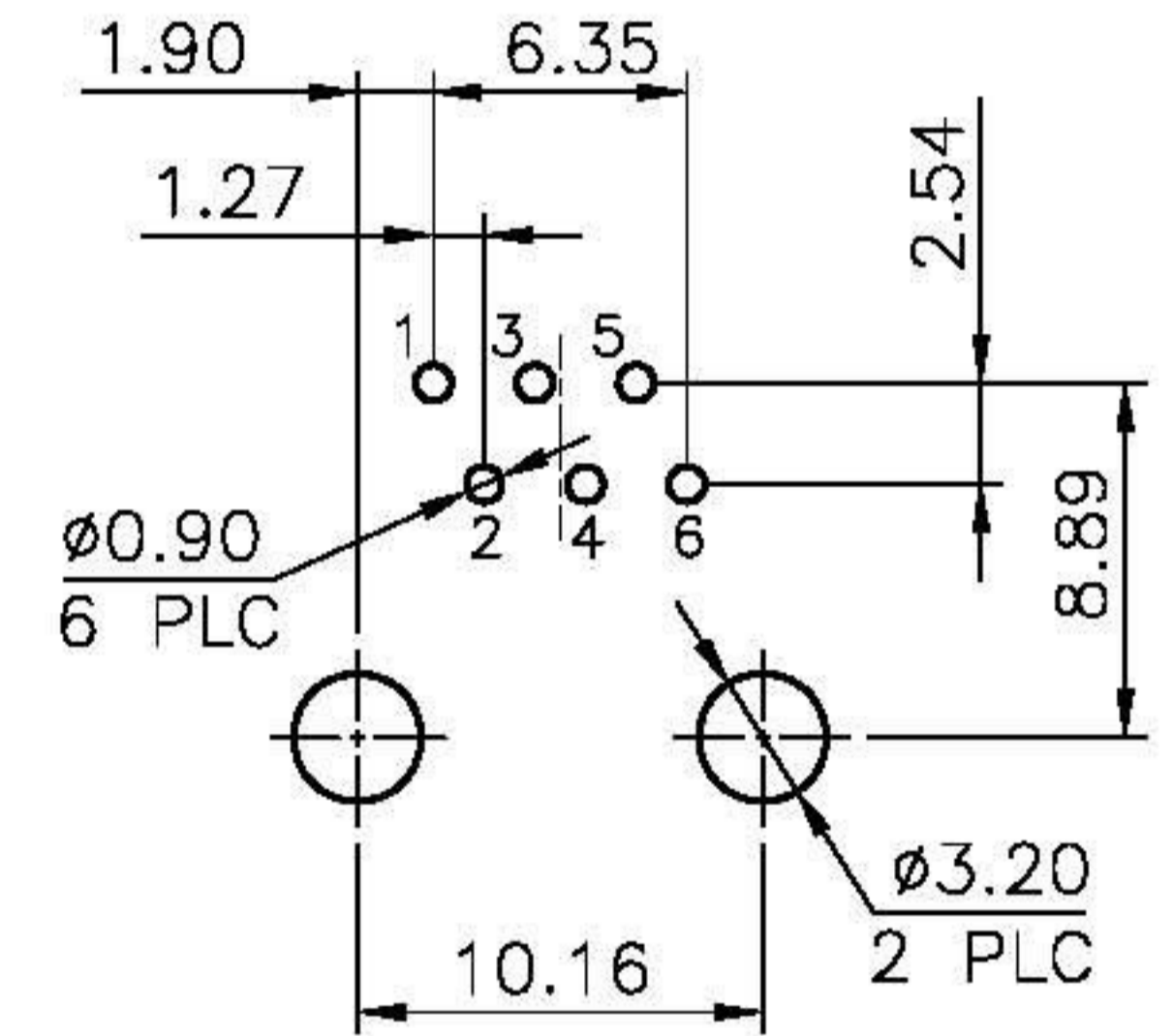
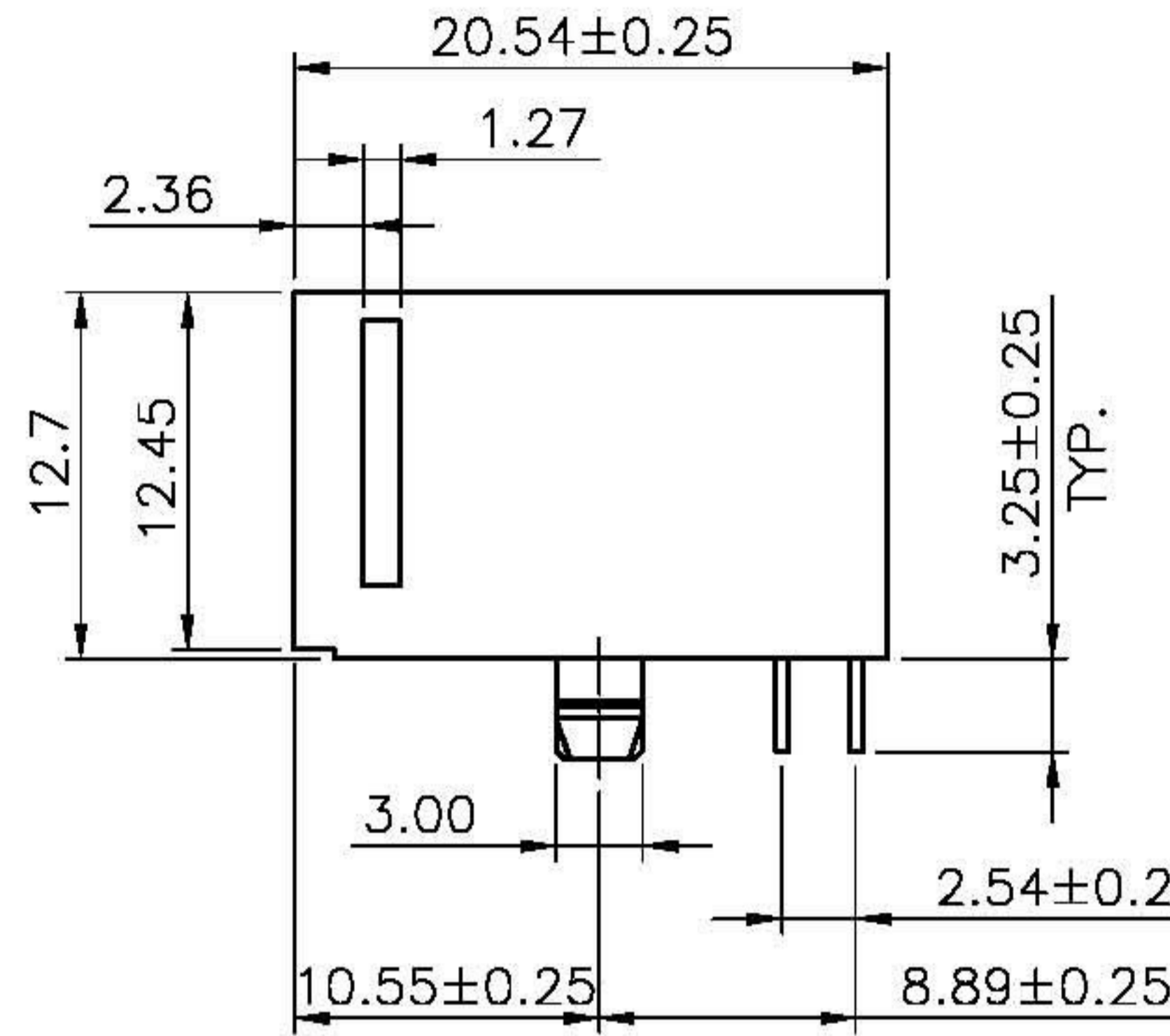
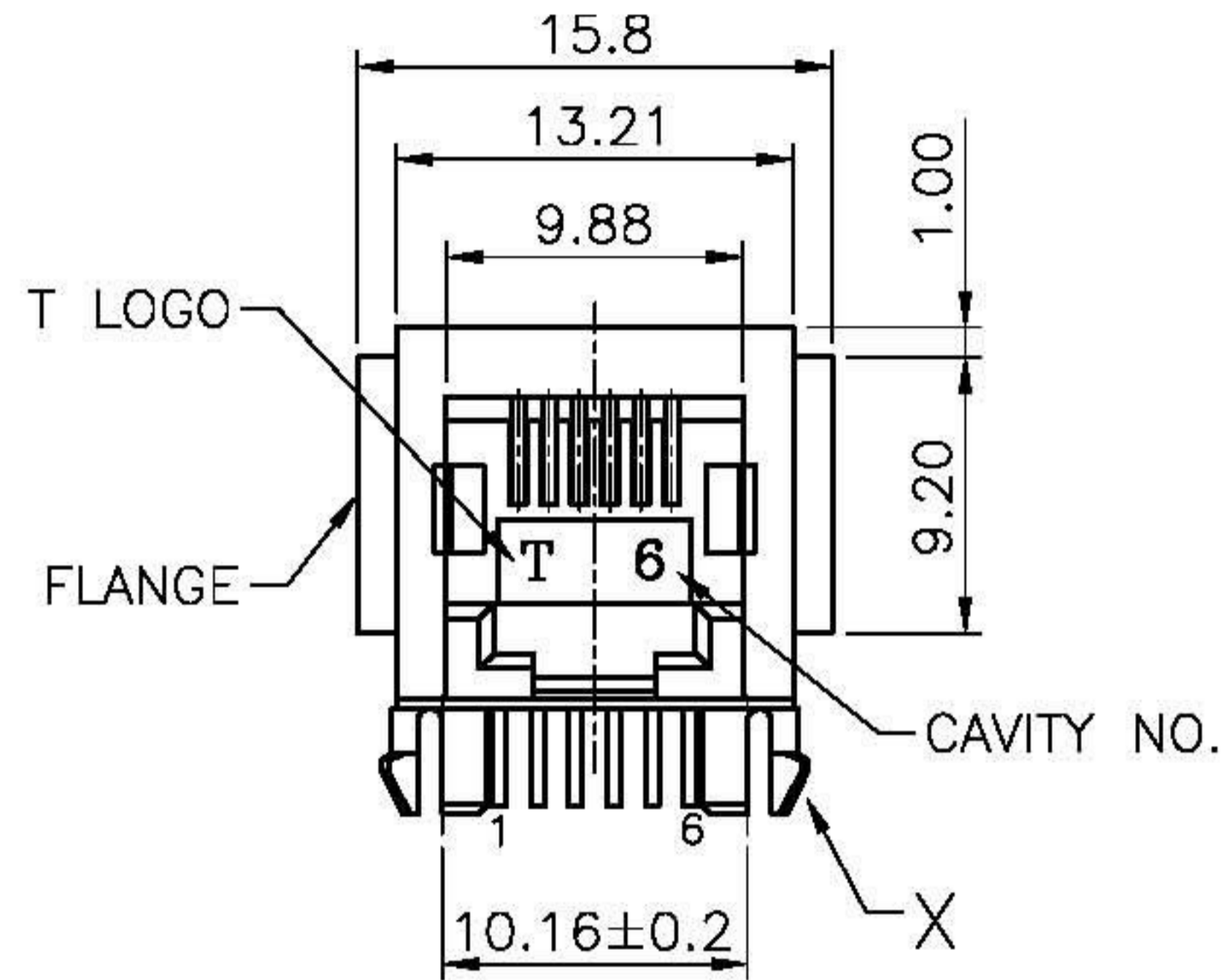
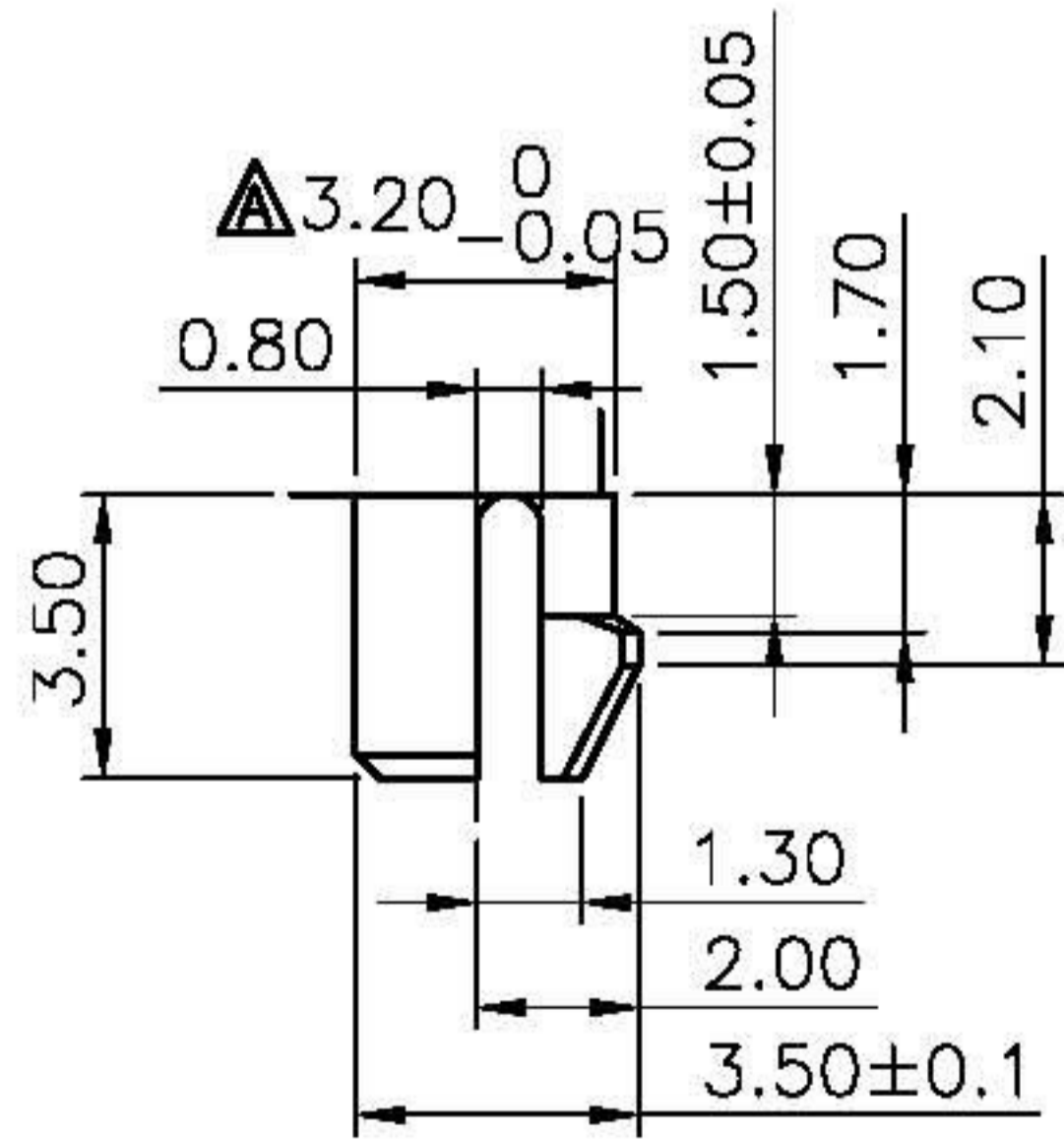


RoHS Compliance

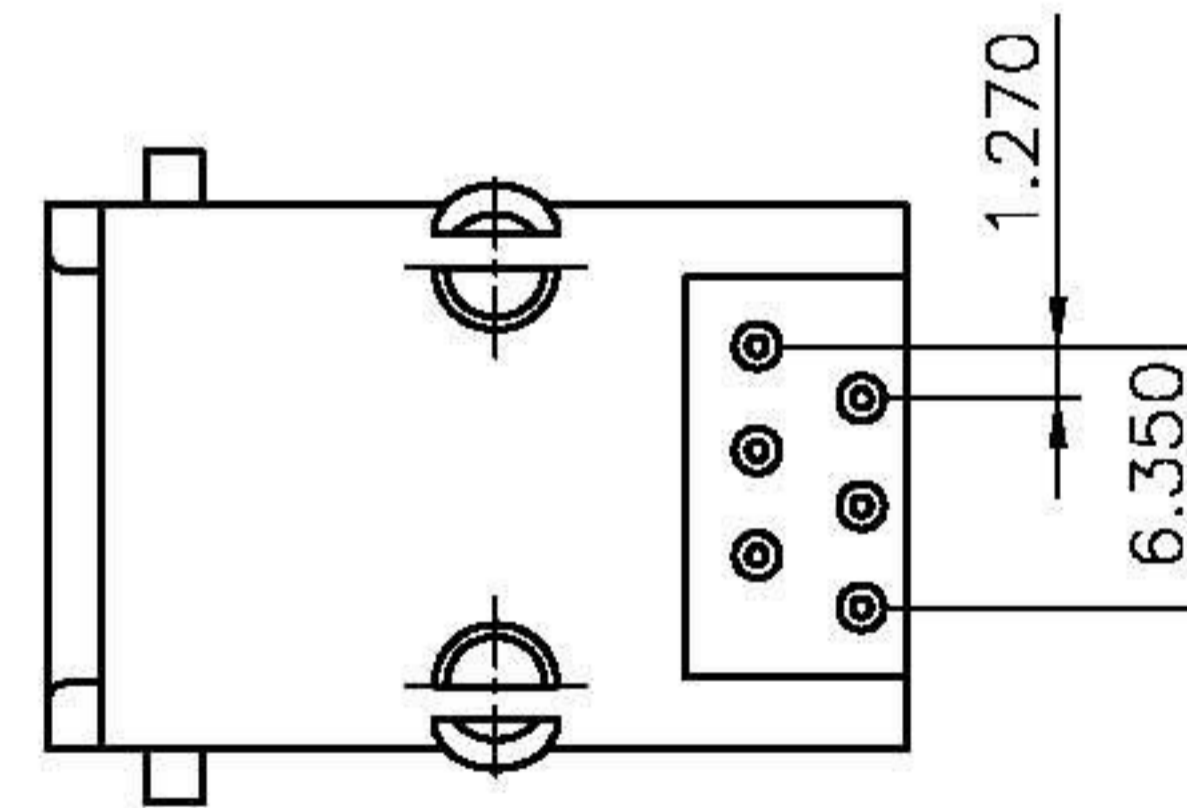


PCB LAYOUT (TOP VIEW)
RECOMMENDED



DETAIL X

REVISIONS			
LTR	DESCRIPTION	DATE	APP
△	3.00 0 -0.05	10/17/08	CHANG



DO NOT SCALE DRAWING	TOLERANCES UNLESS OTHERWISE NOTED	INCH	MM	DR. <i>CIAN.CI.LUO</i>	DATE OCT-21 '08
THIRD ANGLE PROJECTION	LINEAR MM INCH	00 ± 000 ± 0000 ±	0.0 ± 0.25 0.00 ± 0.13 0.000 ± 0.05	CK'D <i>M.CHANG</i>	OCT-21 '08
MM INCH	ANGLE ± 0° 30'	RADII	+ 0.40 - 0.15	APP'D <i>W.J.YANG</i>	OCT-23 '08

E-YUNG ENTERPRISE CO., LTD.					
TITLE		MODULAR JACK, RJ11, ROUND PIN, SIDE ENTRY PCB JACK			
SCALE	SIZE	DWG.NO.	REV.	SHEET	
		963609	2	1	