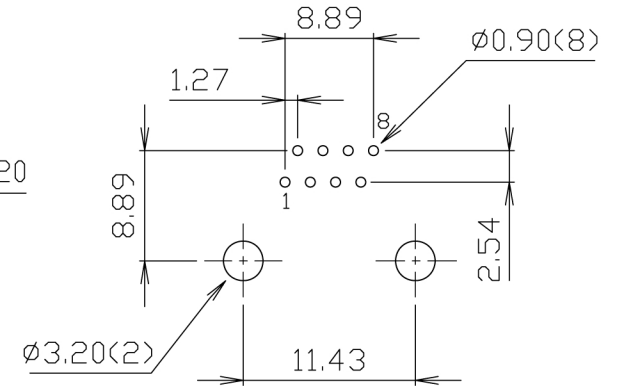
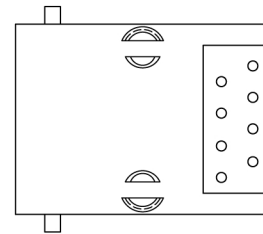
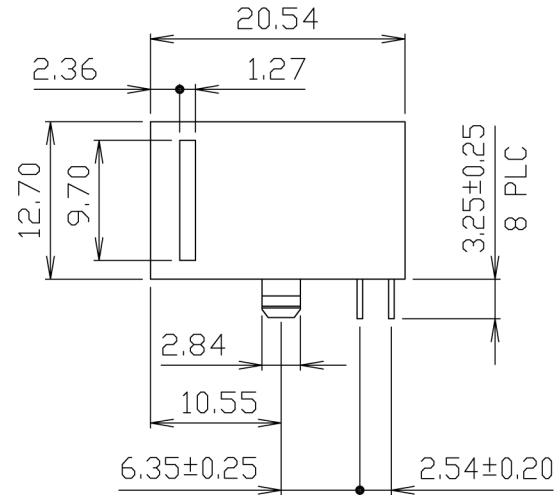


DETAIL X



PC Board Layout Ref.

DO NOT SCALE DRAWING	TOLERANCES UNLESS OTHERWISE NOTED	INCH	MM	DR. <i>M.L.HUANG</i>	DATE DEC-19 '07
THIRD ANGLE PROJECTION	LINEAR	MM 00 ± .01 000 ± .005 0000 ± .002	INCH 0.0 ± 0.25 0.00 ± 0.13 0.000 ± 0.05	CK'D <i>M.CHANG</i>	DATE DEC-19 '07
MM INCH	ANGLE ± 0° 30'	RADII	+ 0.40 - 0.15	APP'D <i>W.J.YANG</i>	DATE DEC-20 '07

E-YUNG ENTERPRISE CO., LTD.					
TITLE		8POSITION SIDE ENTRY PCB JACK			
SCALE	SIZE	DWG.NO.		REV.	SHEET
		963603		6	1