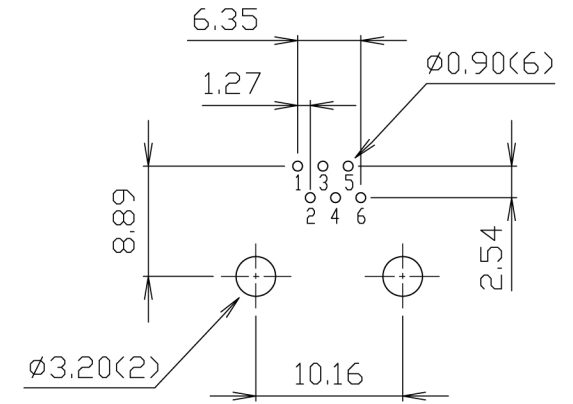
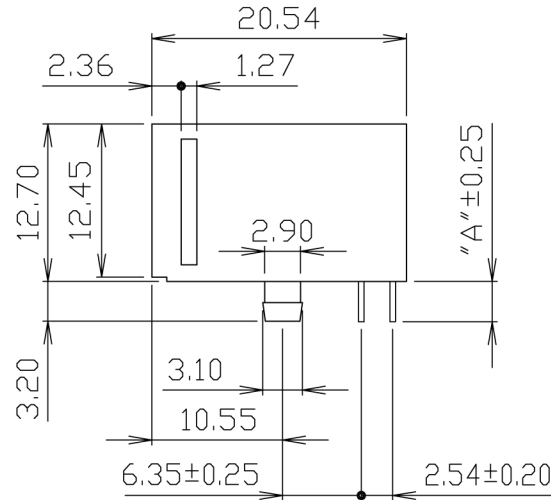
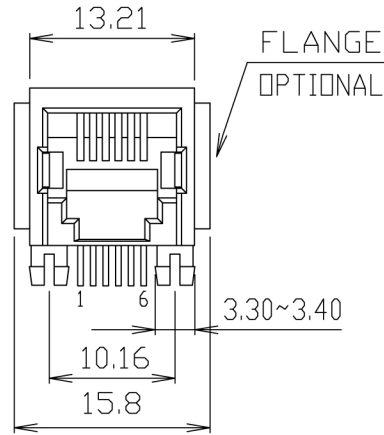
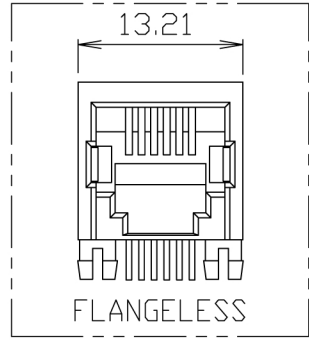
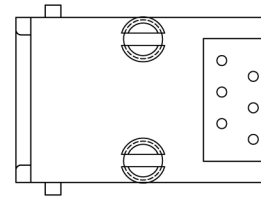
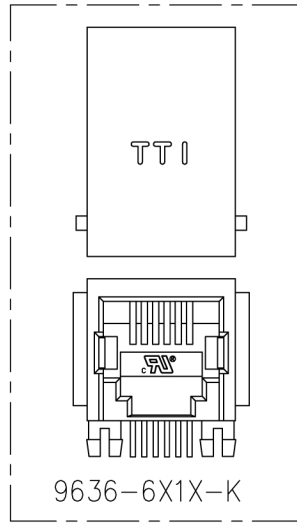


RoHS Compliance



PC Board Layout
Ref.



DO NOT SCALE DRAWING	TOLERANCES UNLESS OTHERWISE NOTED	INCH	MM	DR. <i>CIAN.CI.LUO</i>	DATE JUN-23 '10	E-YUNG ENTERPRISE CO., LTD.				
THIRD ANGLE PROJECTION	LINEAR	$00 \pm .01$ $000 \pm .005$ $0000 \pm .002$	0.0 ± 0.25 0.00 ± 0.13 0.000 ± 0.05	CK'D <i>M.CHANG</i>	JUN-23 '10					TITLE
MM INCH		RADII	$+ 0.40$ $- 0.15$	APP'D <i>W.J.YANG</i>	JUN-24 '10	SCALE	SIZE	DWG.NO. 963602	REV. 5	SHEET 1