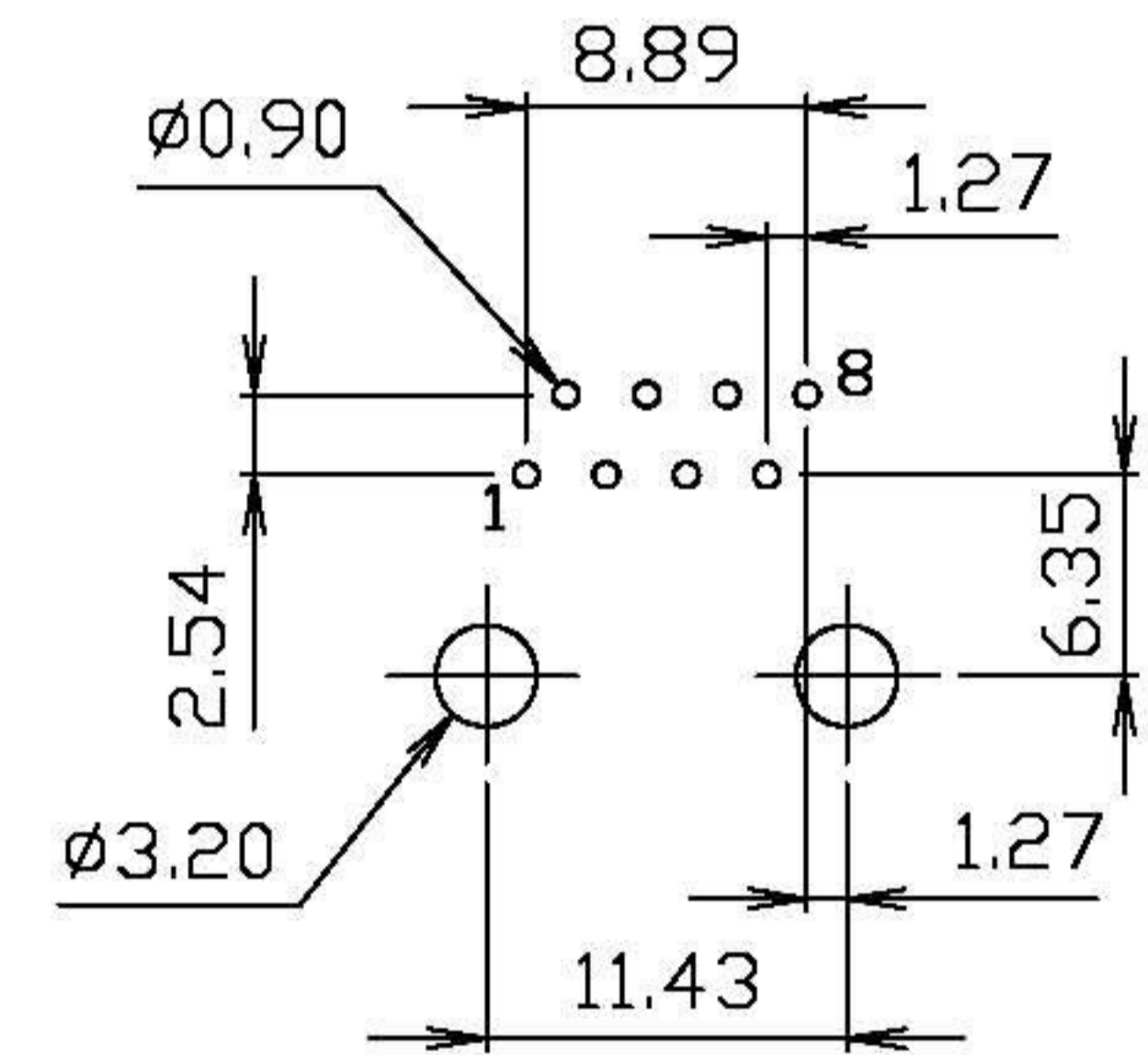
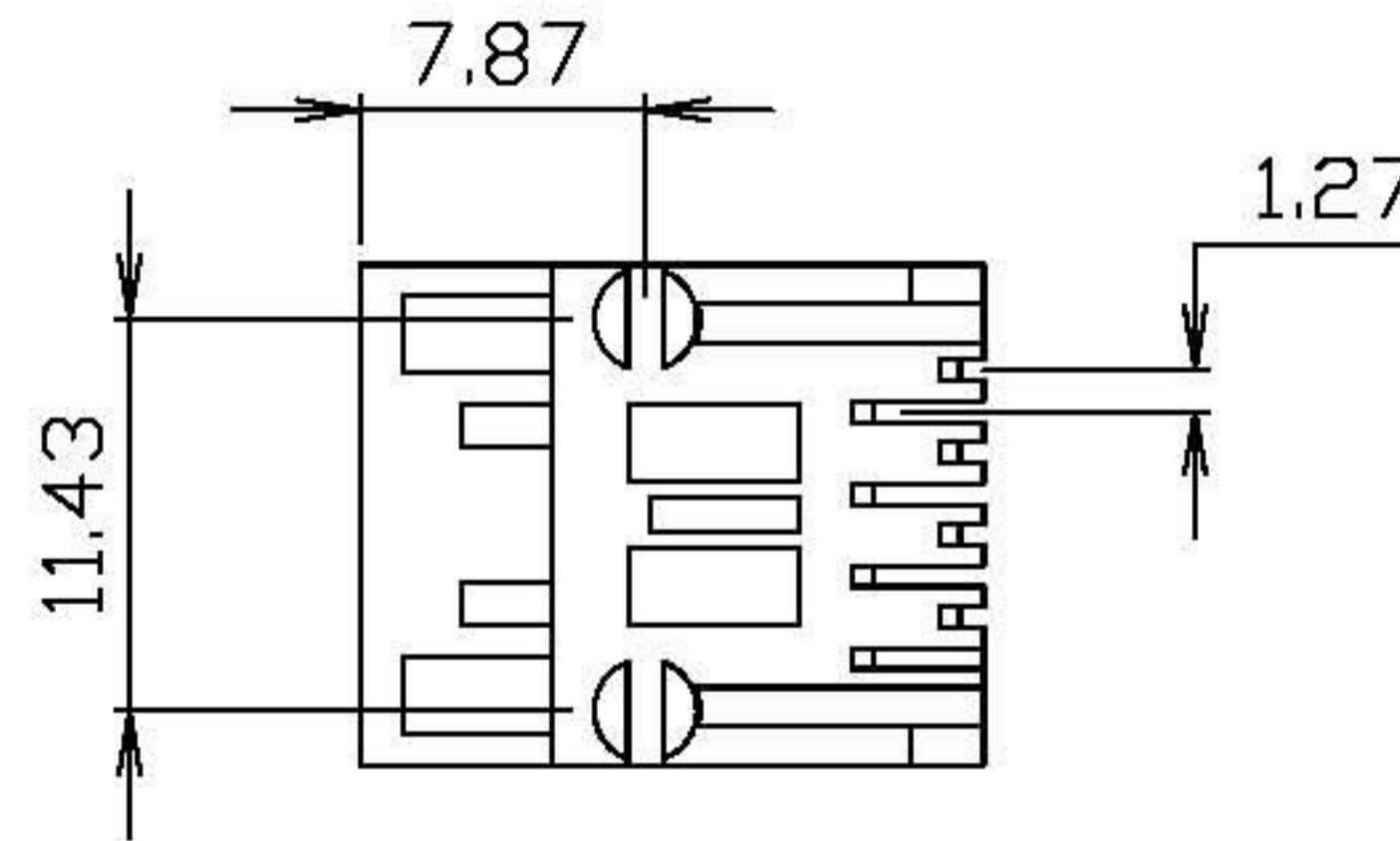
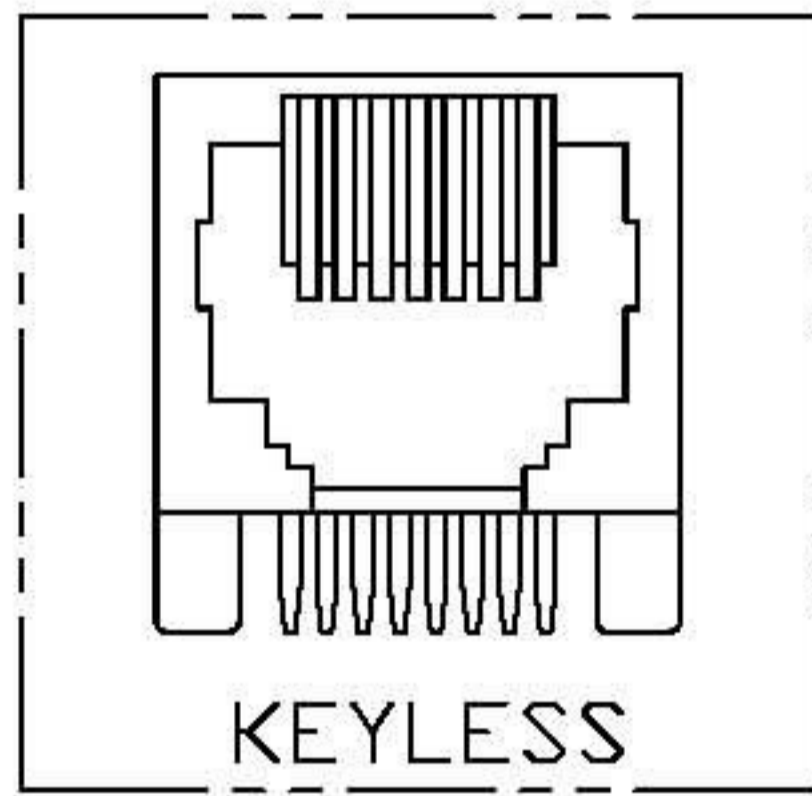
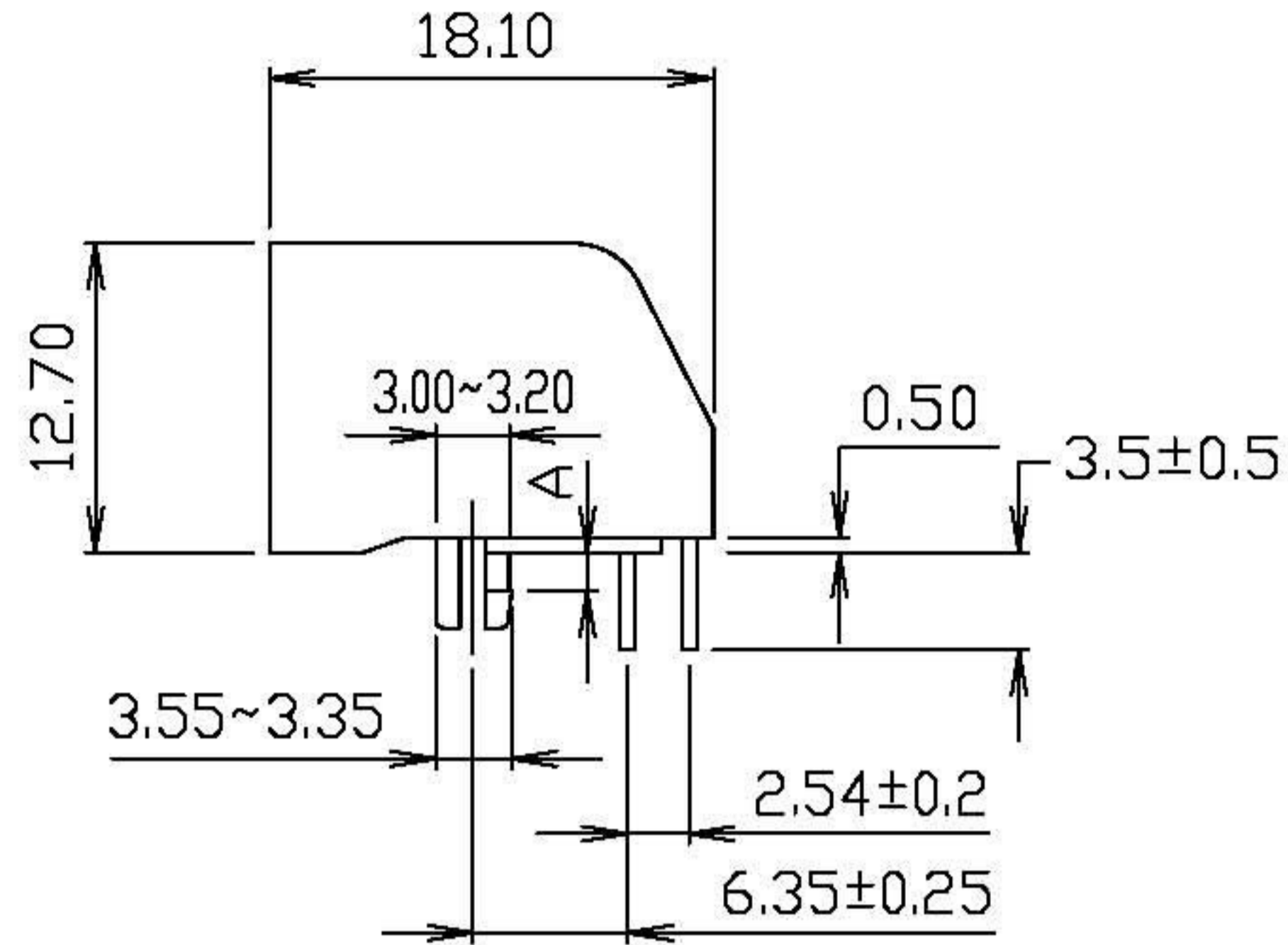
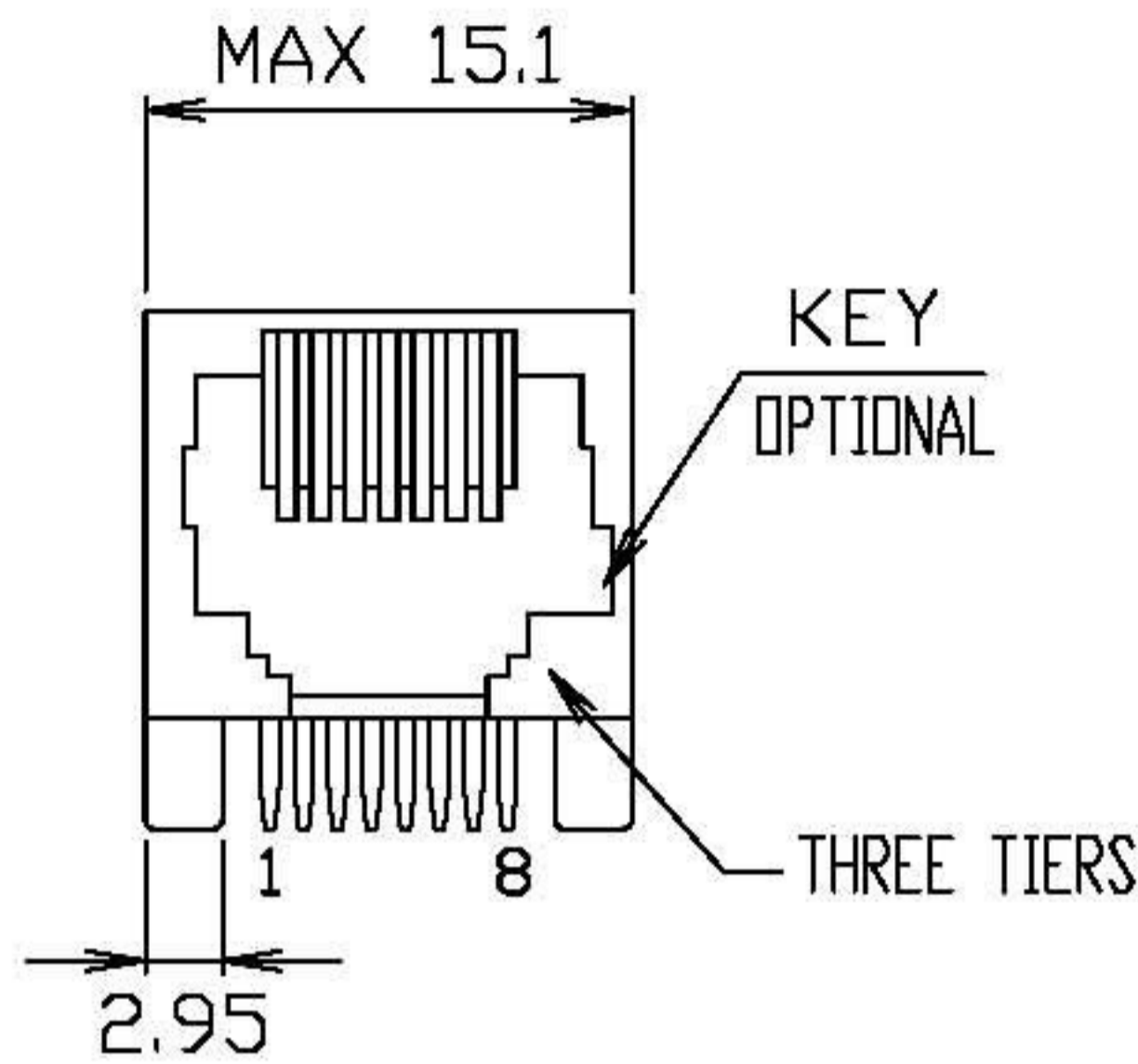


# RoHS Compliance



PC Board Layout  
Ref.

DO NOT SCALE  
DRAWING

TOLERANCES UNLESS  
OTHERWISE NOTED

INCH

MM

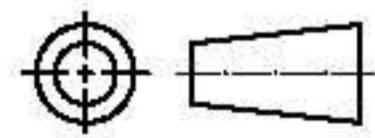
DR.

CIAN.CI.LUO

DATE

JAN-31 '08

E-YUNG ENTERPRISE CO., LTD.



THIRD ANGLE PROJECTION

LINEAR

MM

INCH

00 ± .01  
000 ± .005  
0000 ± .002

0.0 ± 0.25  
0.00 ± 0.13  
0.000 ± 0.05

CK'D

M.CHANG

JAN-31 '08

TITLE

8POSITION FLANGELESS

LOW PROFILE, SIDE ENTRY PCB JACK

MM  
INCH

ANGLE ± 0° 30'

RADII

+ 0.40  
- 0.15

APP'D

W.J.YANG

FEB-01 '08

SCALE SIZE DWG.NO.

963102

REV.

3

SHEET

1