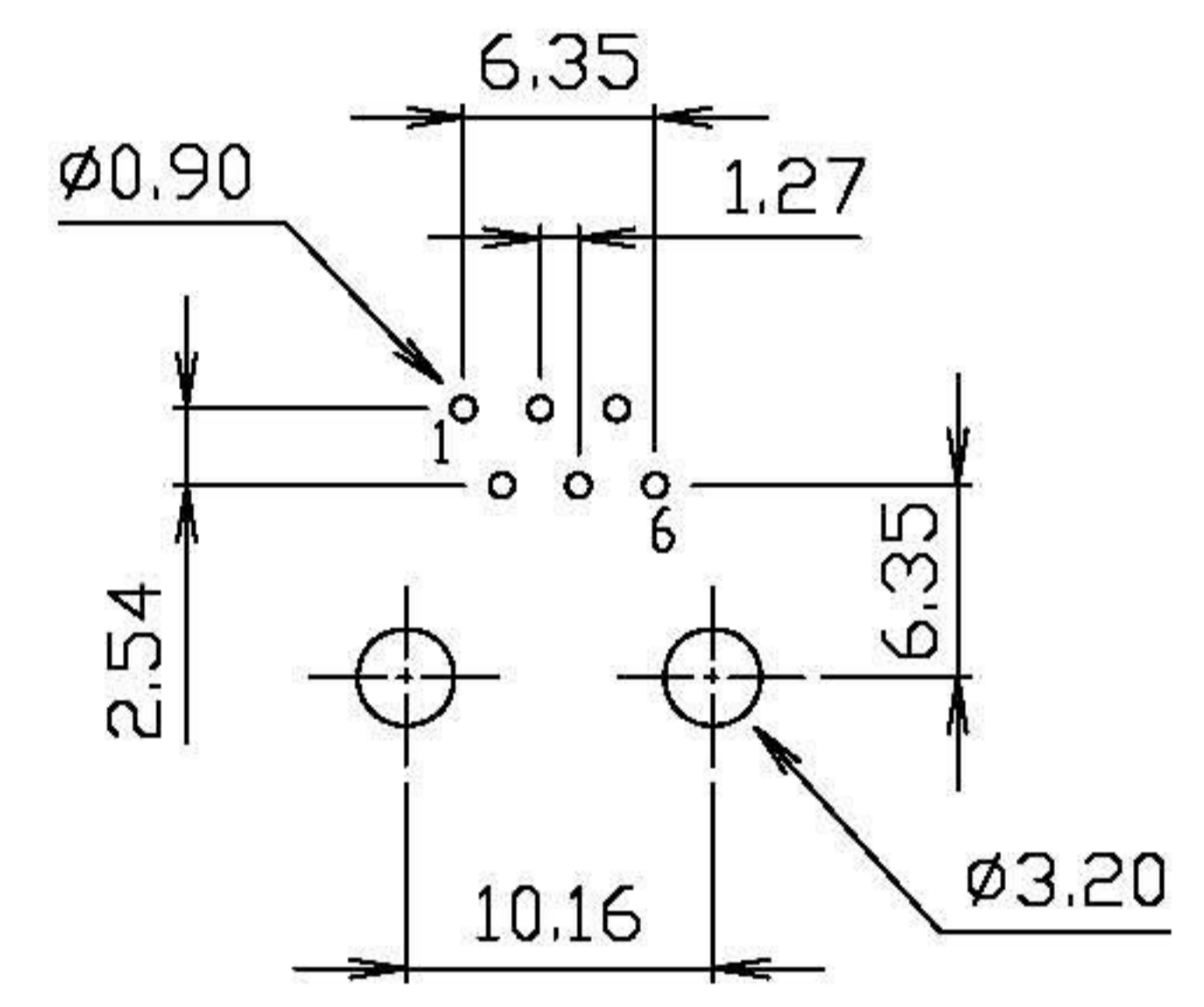
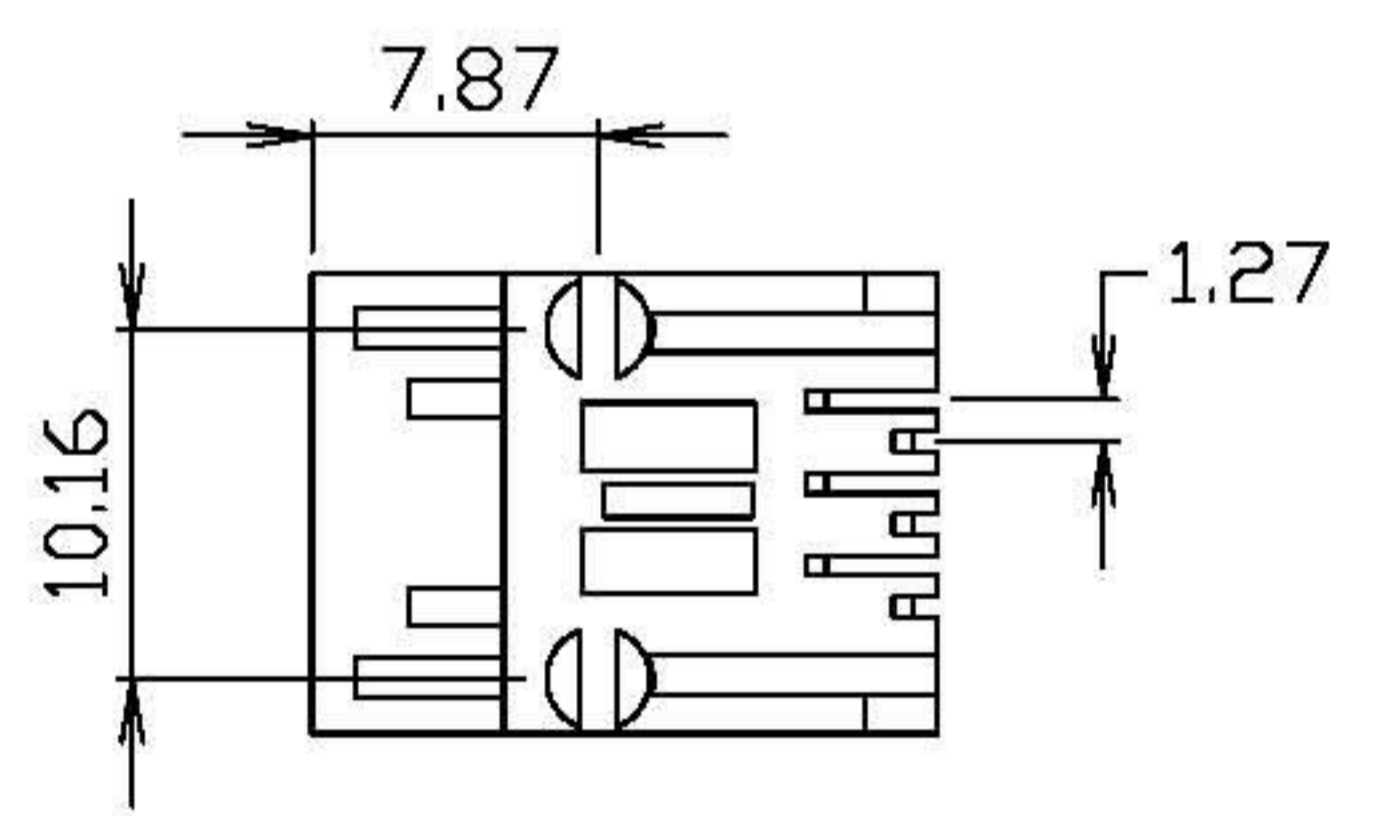
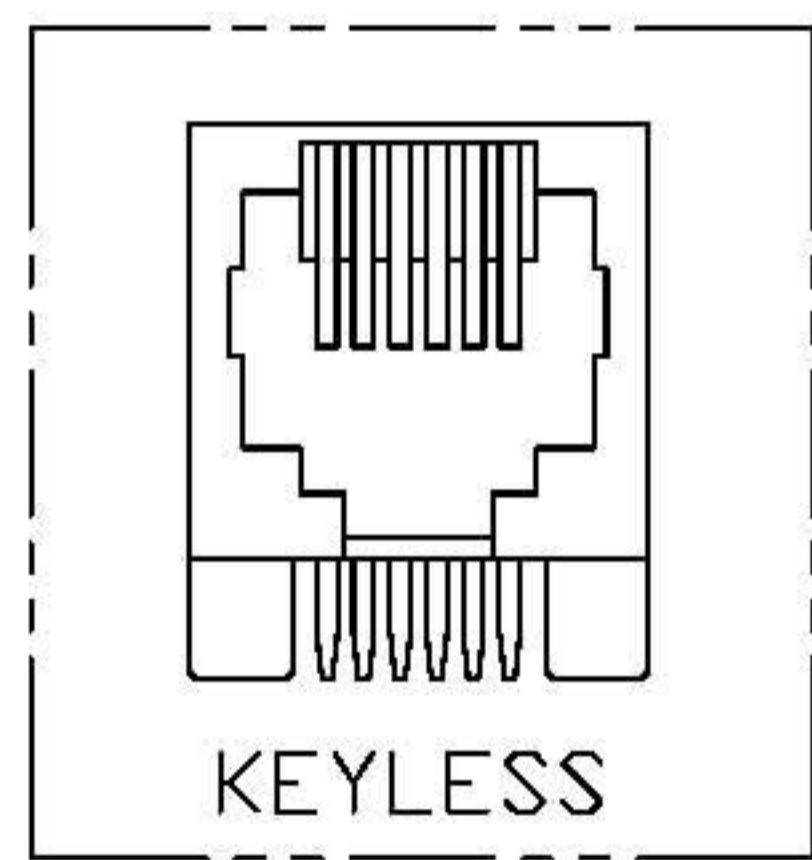
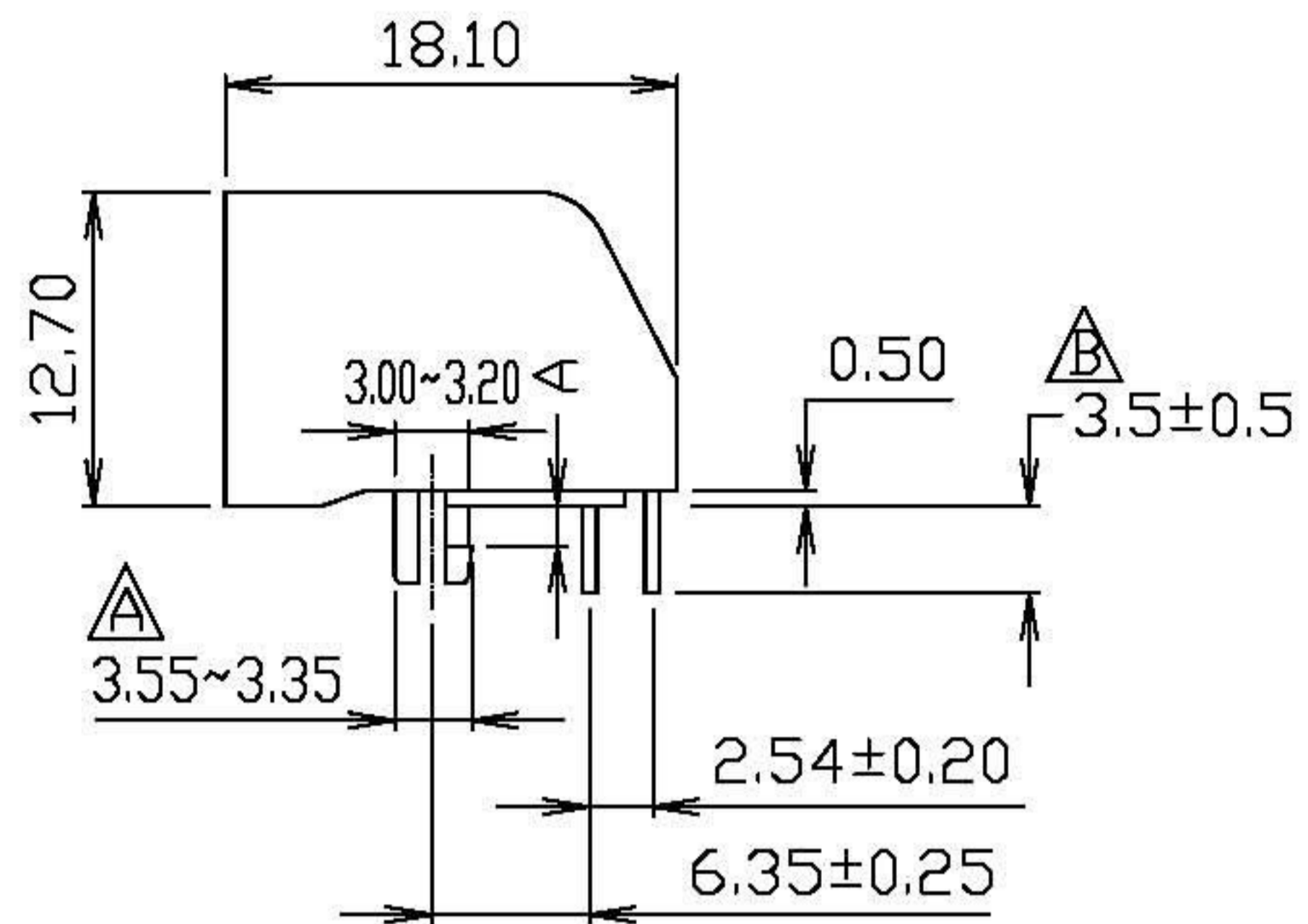
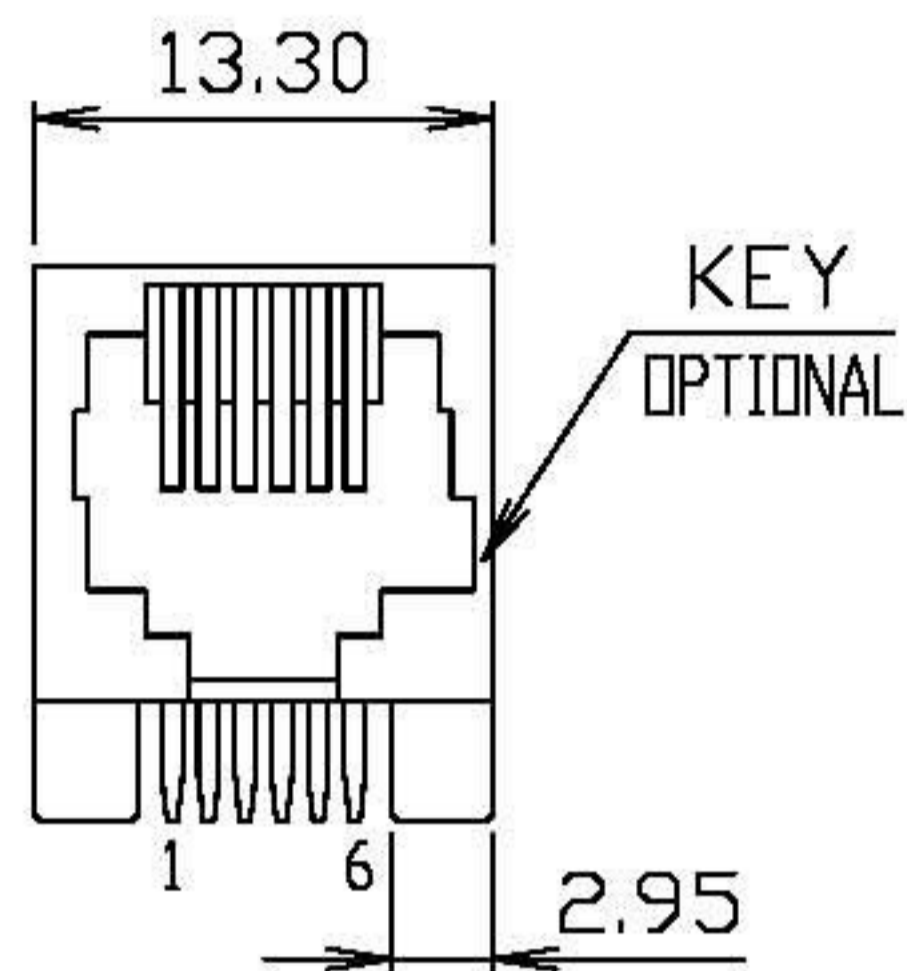


REVISIONS			
LTR	DESCRIPTION	DATE	APP
△	3.40±0.05	09/25/'00	CHANG
△	4.0±0.5	01/22/'02	CHANG



DO NOT SCALE DRAWING

THIRD ANGLE PROJECTION

MM INCH

TOLERANCES UNLESS OTHERWISE NOTED

LINEAR

ANGLE ± 0° 30'

INCH	MM
00 ± .01	0.0 ± 0.25
000 ± .005	0.00 ± 0.13
0000 ± .002	0.000 ± 0.05
RADII	+ 0.40 - 0.15

DR. Y.H.CHEN

CK'D M.CHANG

APP'D W.J.YANG

DATE JUL-03 '07

JUL-03 '07

JUL-04 '07

E-YUNG ENTERPRISE CO., LTD.

TITLE RJ11, FLANGELESS, LOW PROFILE, SIDE ENTRY PCB JACK

SCALE	SIZE	DWG.NO.	REV.	SHEET
		963101	7	1