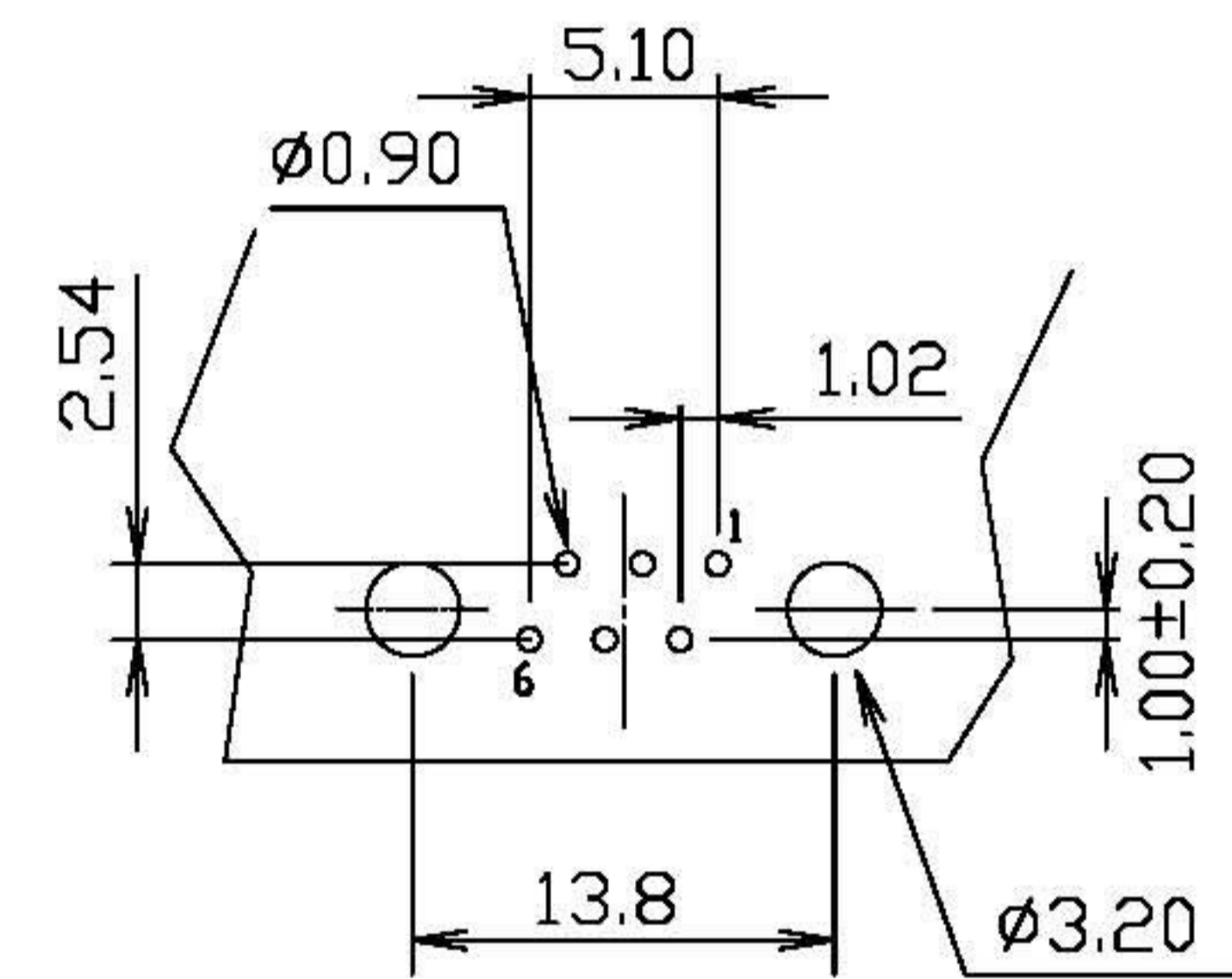
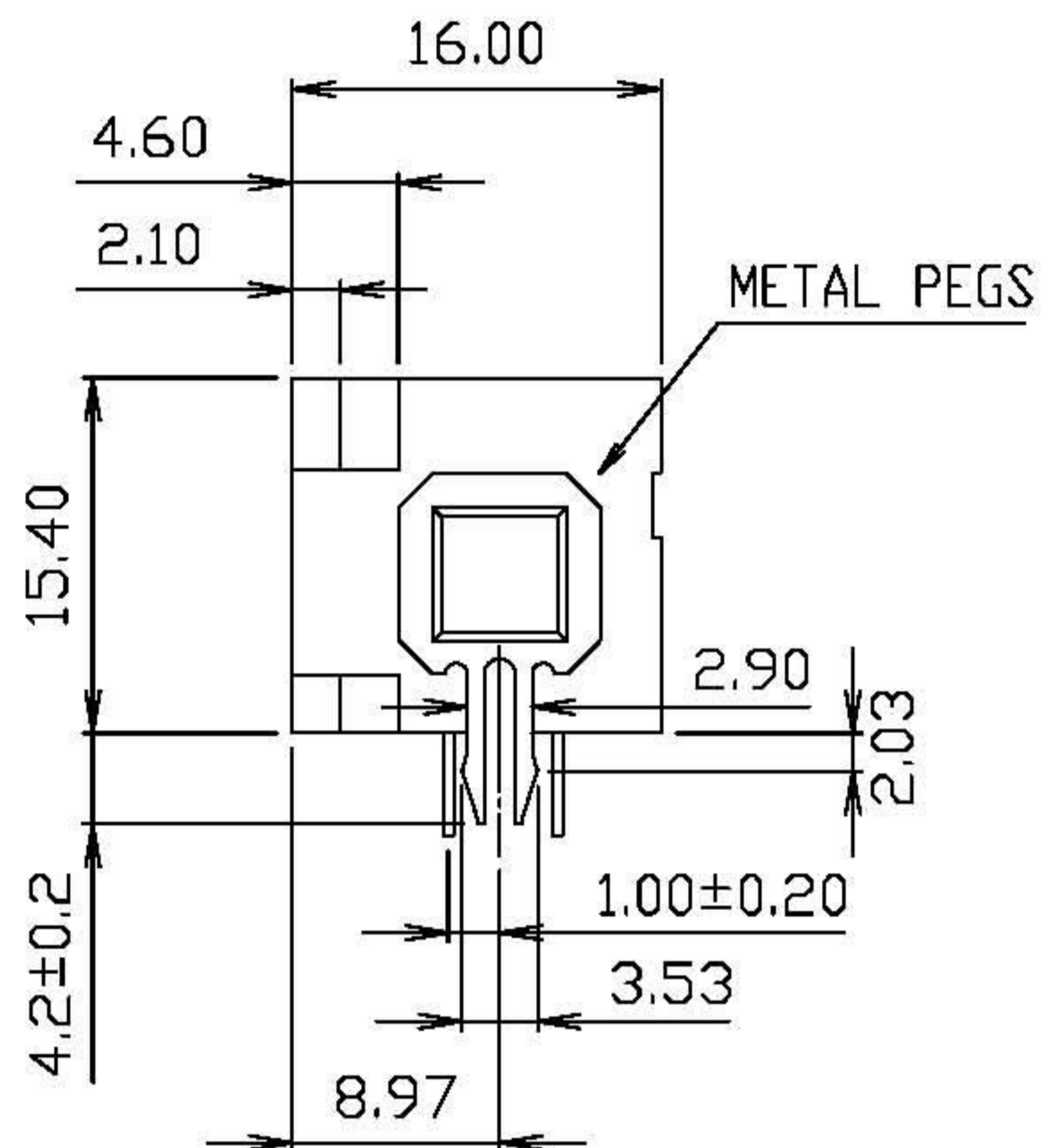
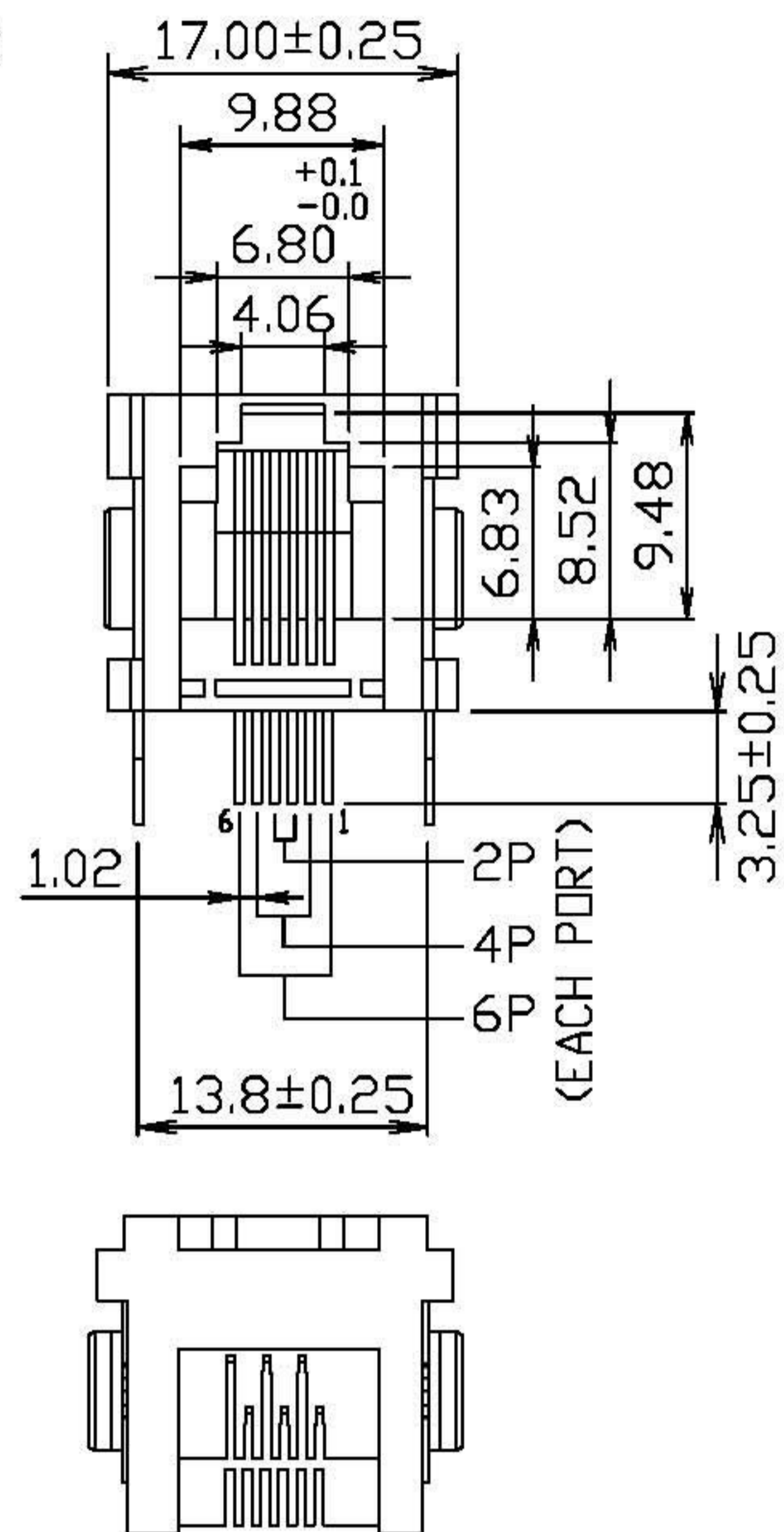


RoHS Compliance



PC Board Layout
Ref.

E-YUNG ENTERPRISE CO., LTD.

DO NOT SCALE
DRAWING

TOLERANCES UNLESS
OTHERWISE NOTED

INCH

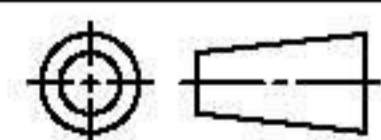
MM

DR.

CIAN.CI.LUO

DATE

NOV-06 '09



THIRD ANGLE PROJECTION

LINEAR $\frac{\text{MM}}{\text{INCH}}$

00 ± .01
000 ± .005
0000 ± .002

0.0 ± 0.25
0.00 ± 0.13
0.000 ± 0.05

CK'D

M.CHANG

NOV-06 '09

TITLE

1 PORTS 6 POSITION SIDE ENTRY
MATEL PEGS PCB GANED JACK

MM
INCH

ANGLE ± 0° 30'

RADII

+ 0.40
- 0.15

APP'D

W.J.YANG

NOV-07 '09

SCALE SIZE DWG.NO.

963006

REV.

2

SHEET

1