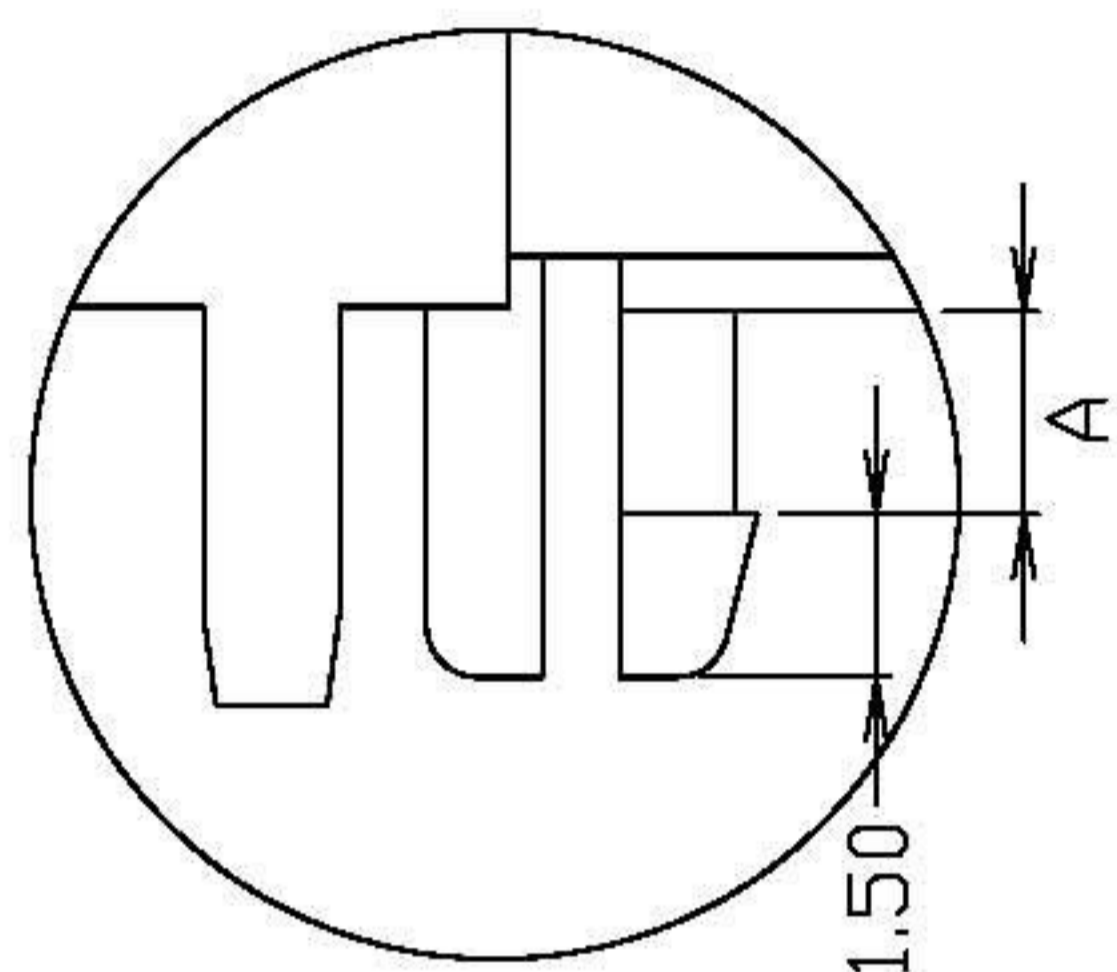
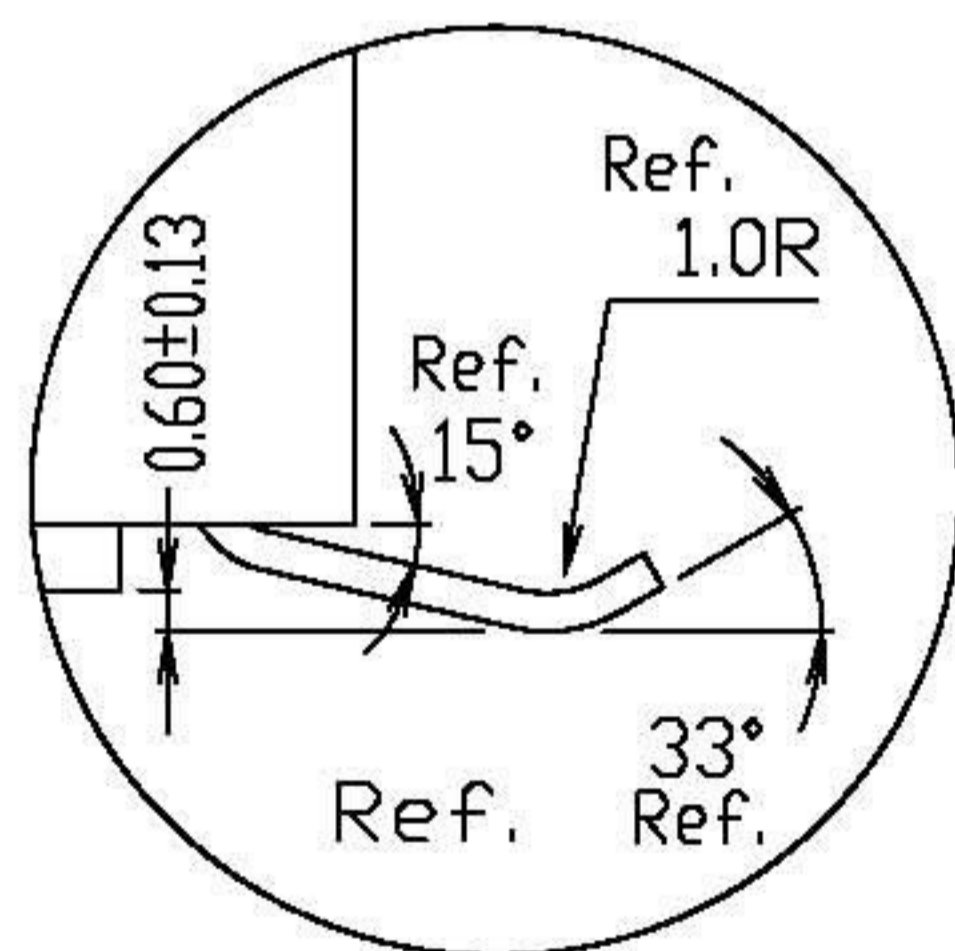
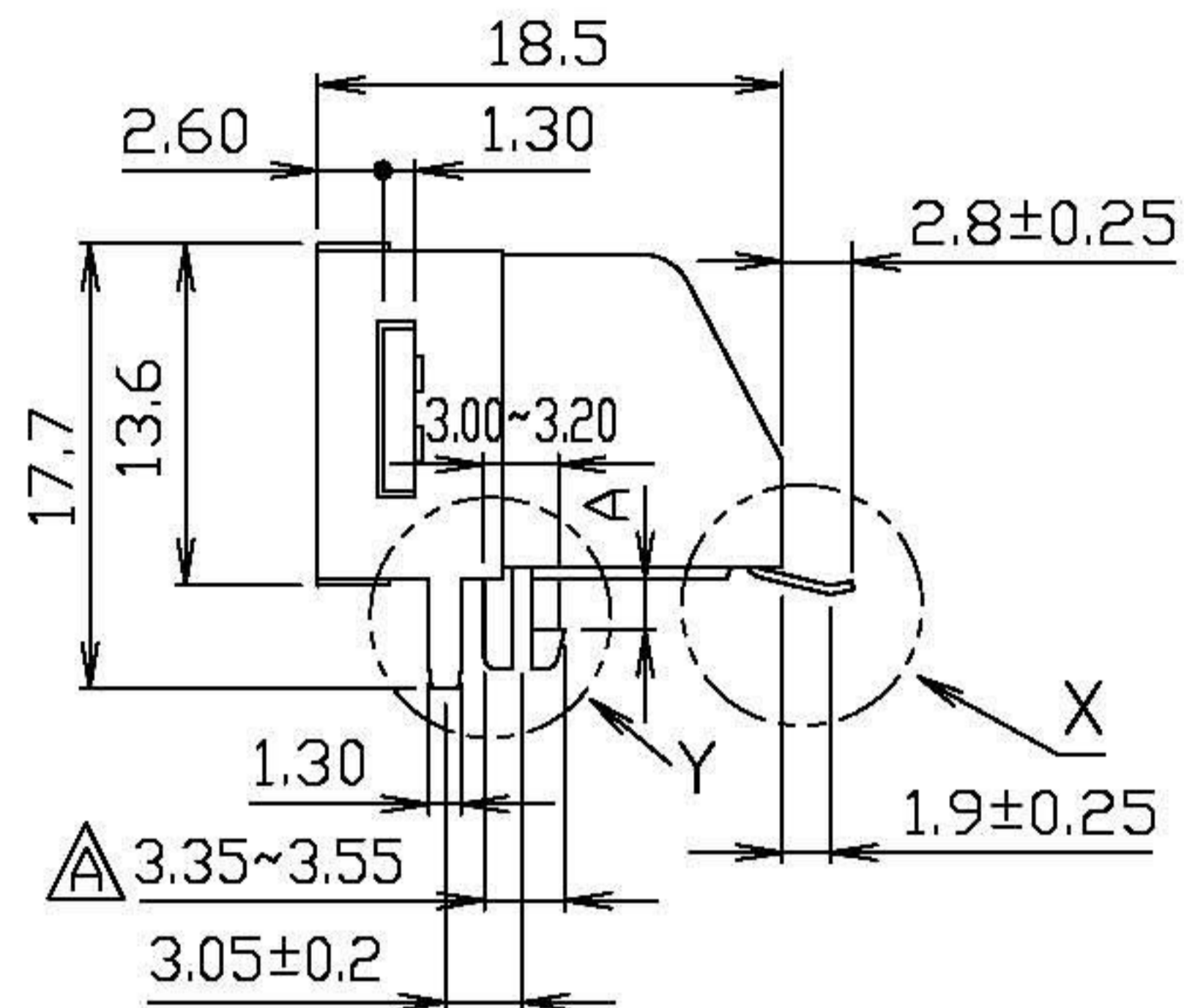
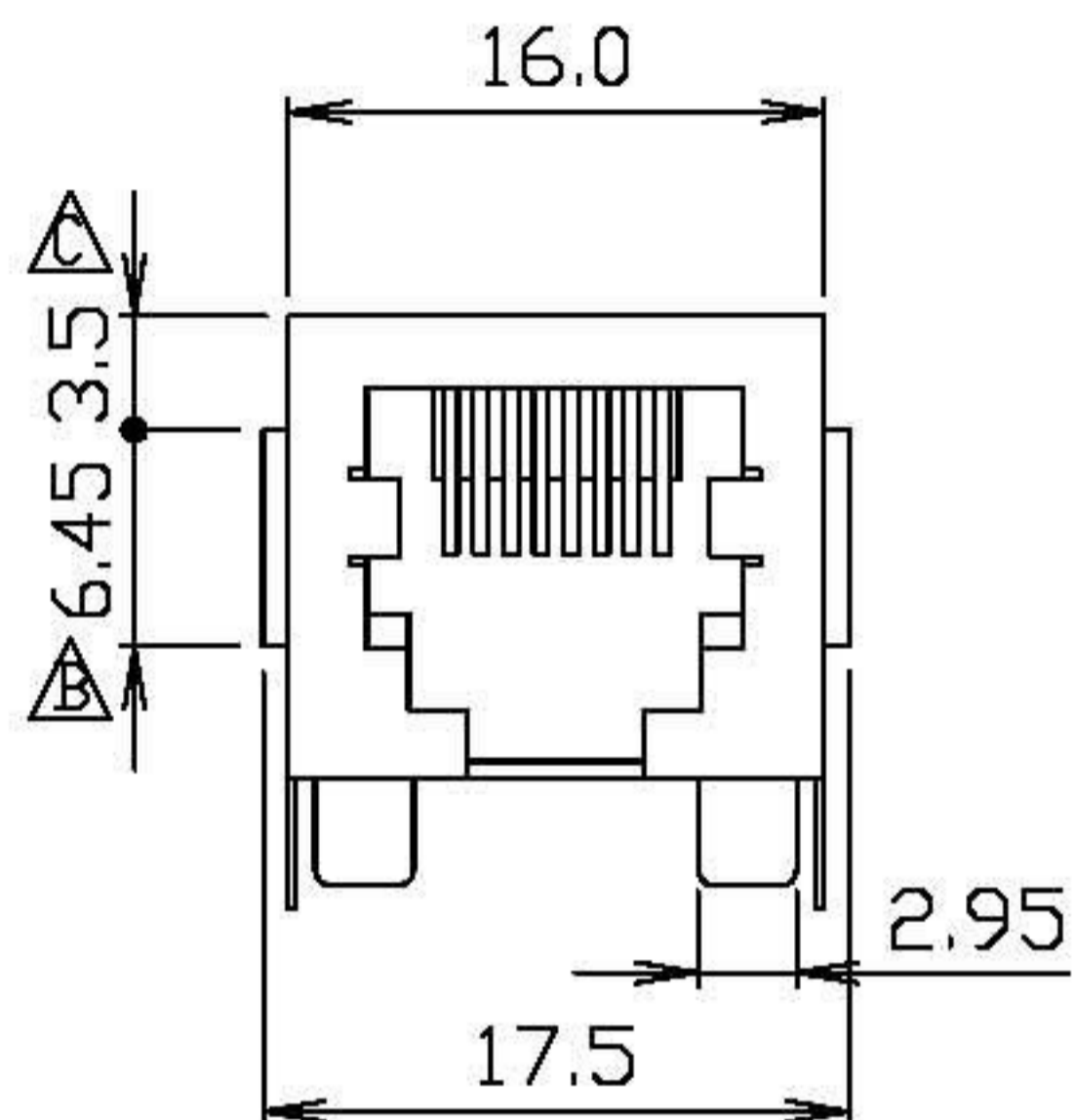


RoHS Compliance

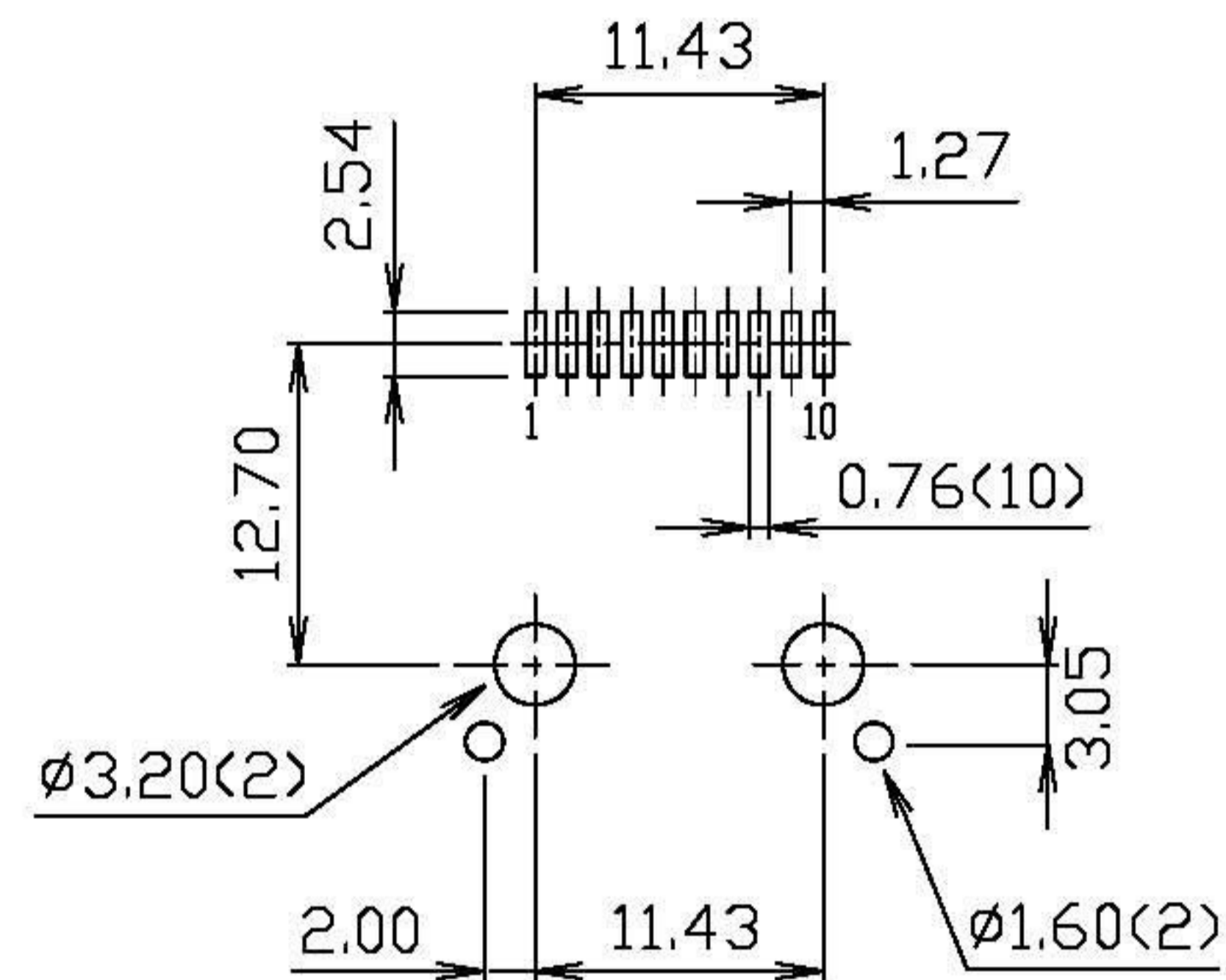
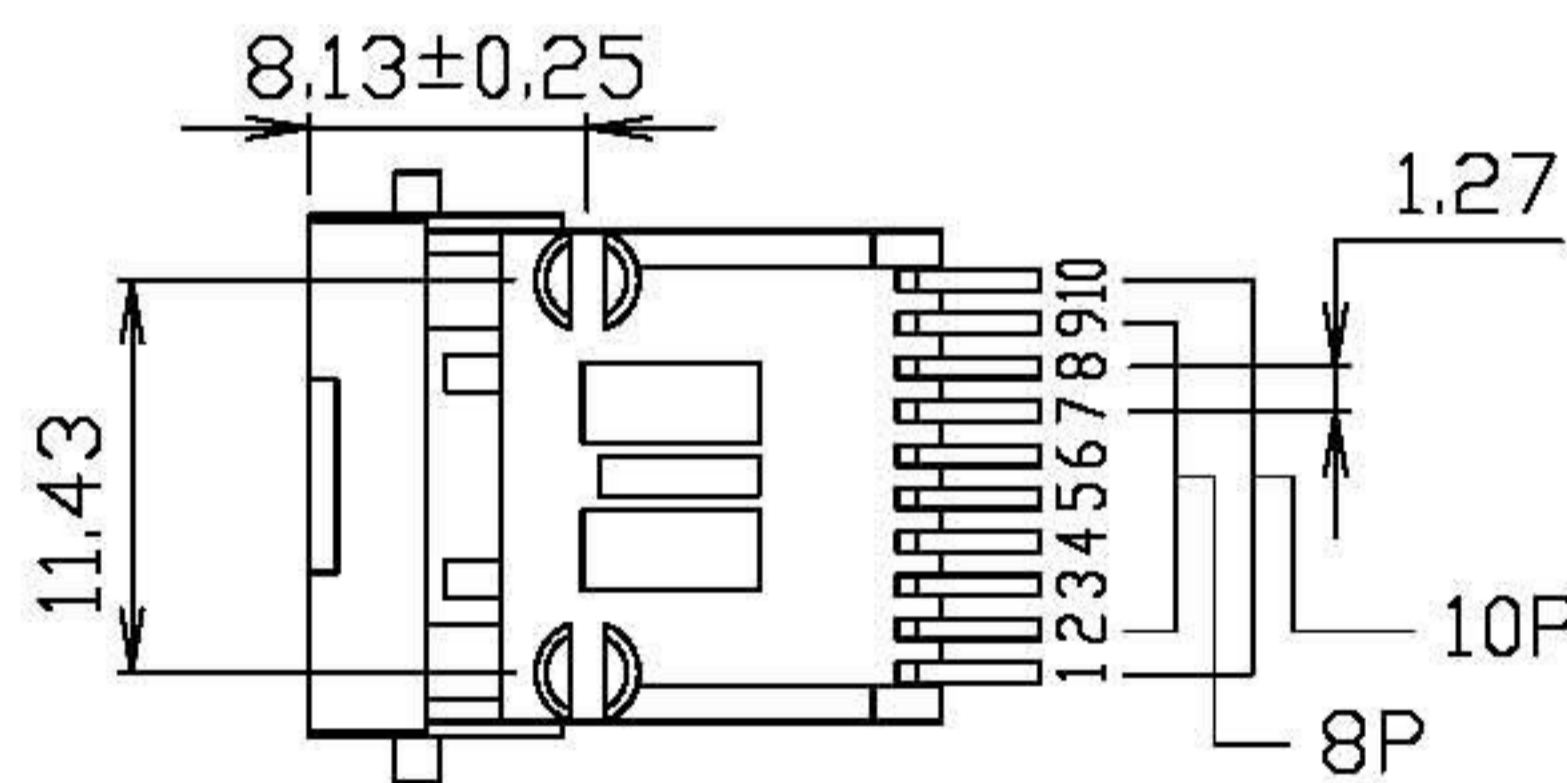


DETAIL Y



DETAIL X

REVISIONS			
LTR	DESCRIPTION	DATE	APP
△	3.40±0.05	09/22/'00	CHANG
△	6.90	07/02/'01	CHANG
△	3.30	07/02/'01	CHANG
△	3.40	03/29/'02	CHANG



PC Board Layout Ref.

DO NOT SCALE DRAWING

TOLERANCES UNLESS OTHERWISE NOTED

INCH

MM

DR.

CIAN.CI.LUO

DATE

JAN-17 '08

E-YUNG ENTERPRISE CO., LTD.

THIRD ANGLE PROJECTION

LINEAR $\frac{\text{MM}}{\text{INCH}}$

00 ± .01
000 ± .005
0000 ± .002

0.0 ± 0.25
0.00 ± 0.13
0.000 ± 0.05

CK'D

M.CHANG

JAN-17 '08

TITLE 10 & 8 POSITION, SHIELDED, SMT-TYPE
LOW PROFILE, SIDE ENTRY PCB JACK

MM
INCH

ANGLE ± 0° 30'

RADII

+ 0.40
- 0.15

APP'D

W.J.YANG

JAN-18 '08

SCALE SIZE DWG.NO.
962802

REV. SHEET
7 1