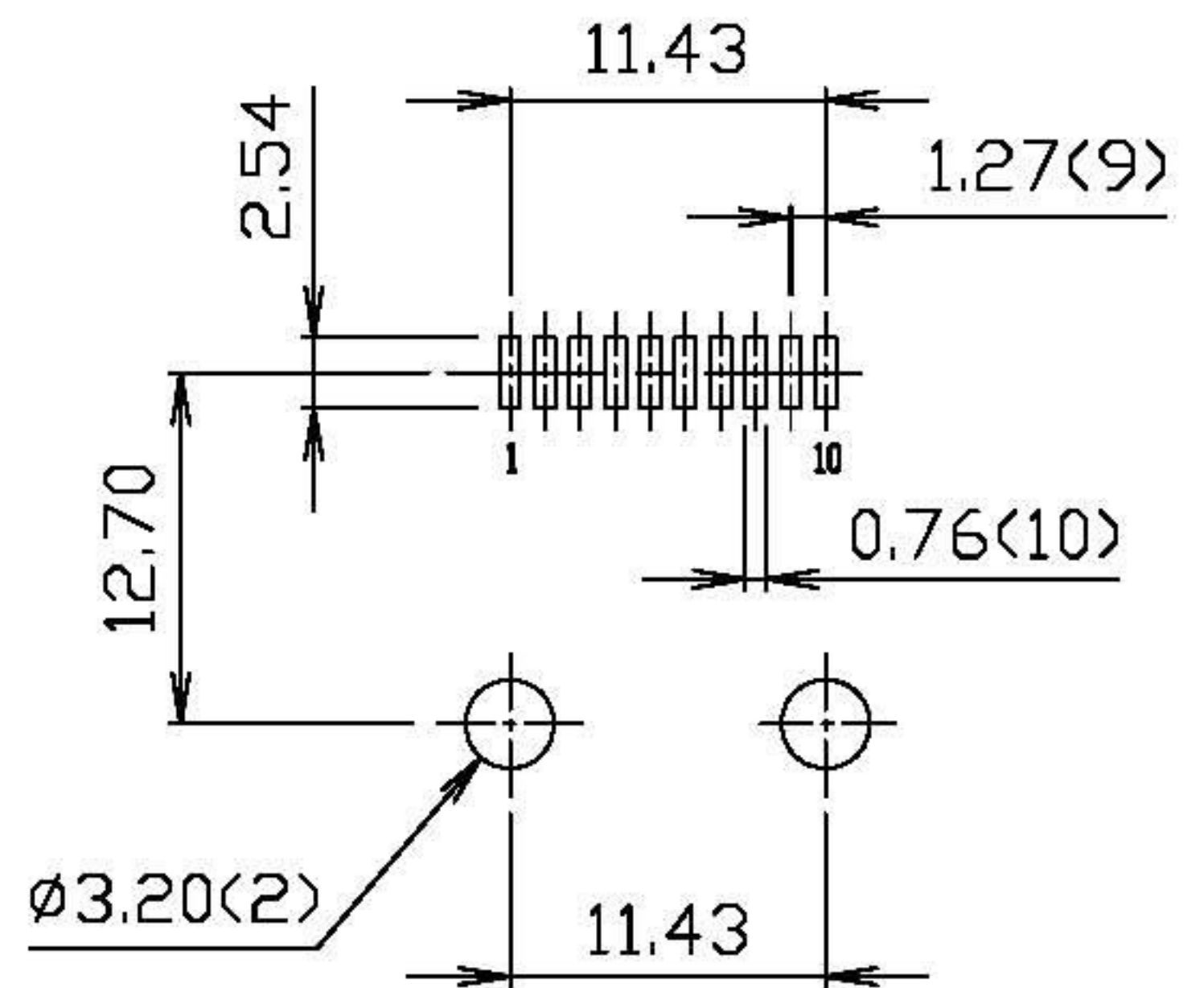
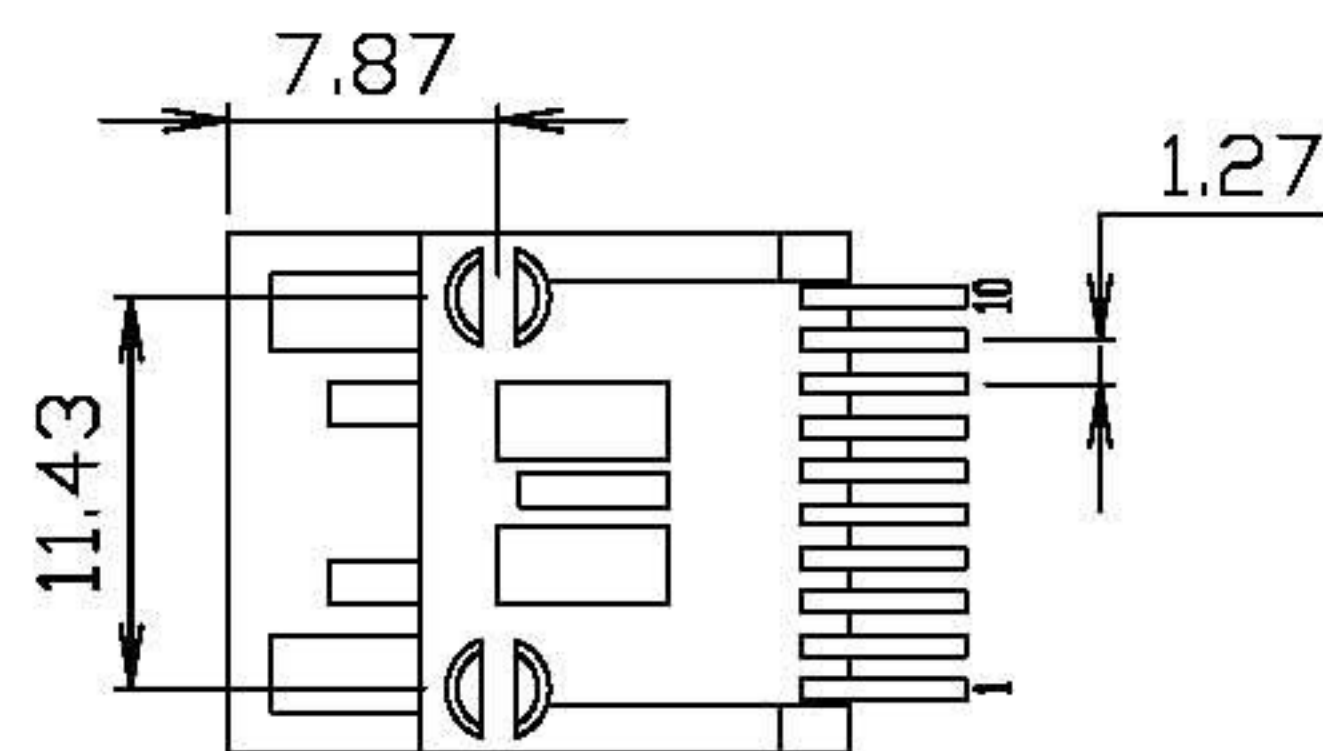
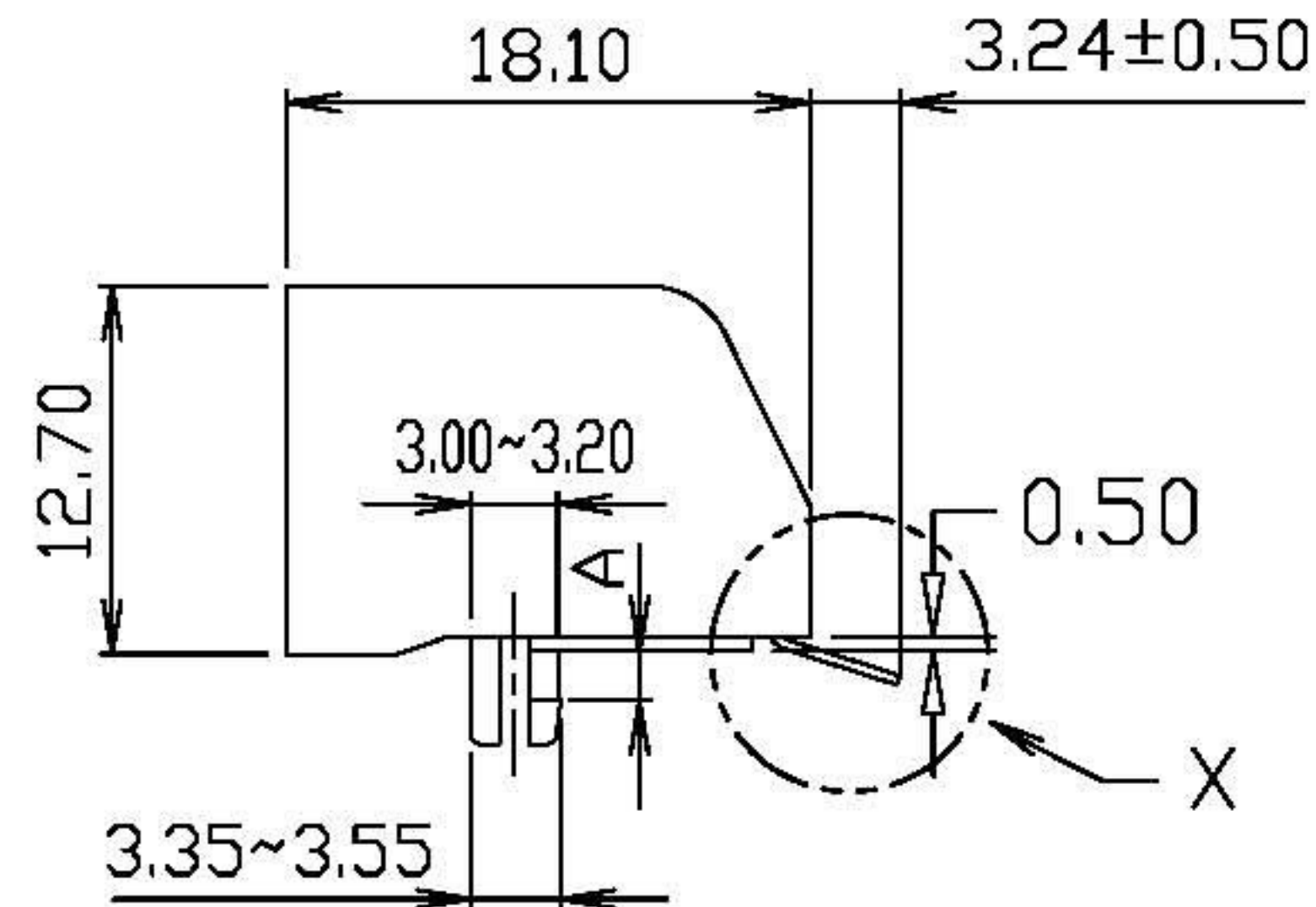
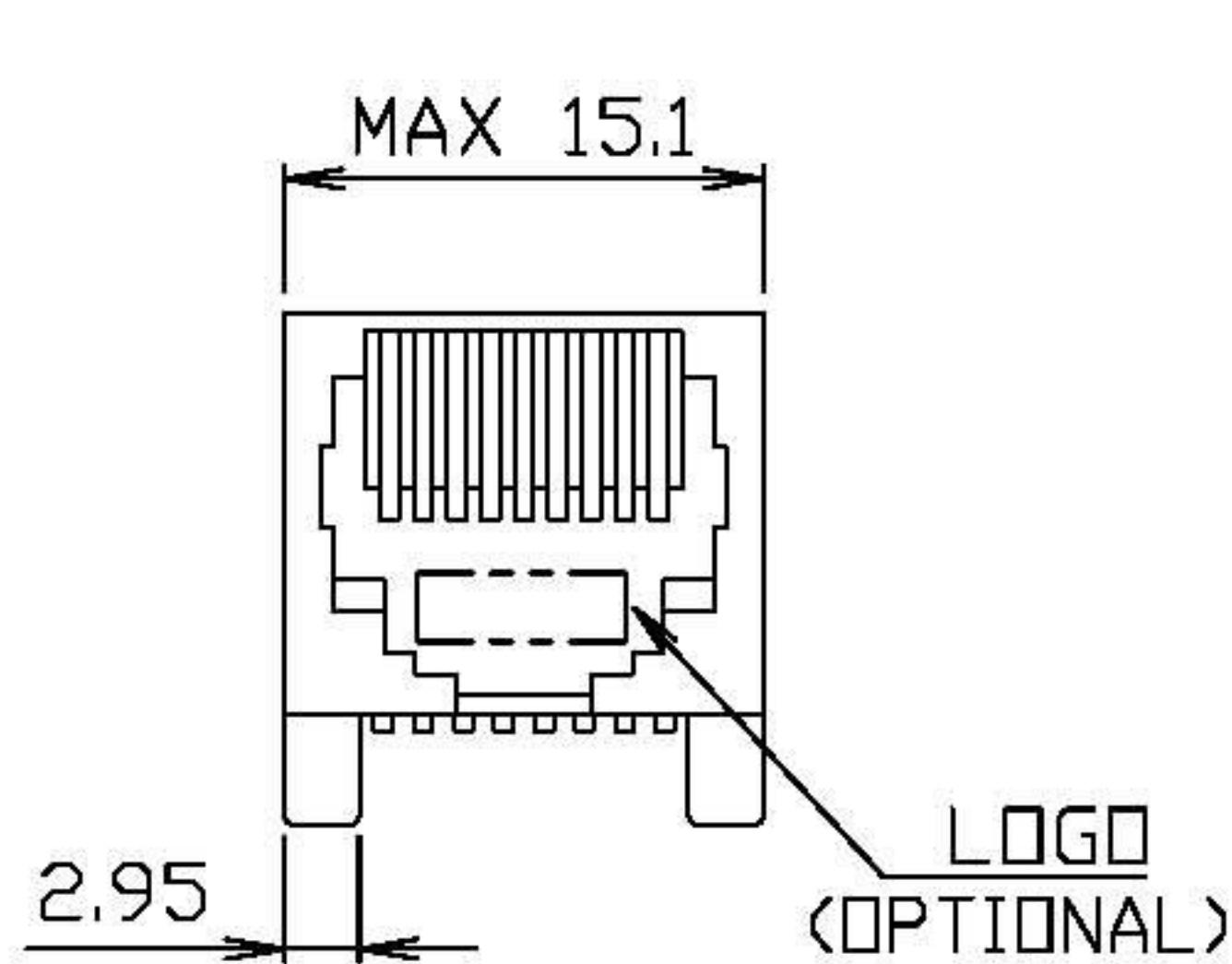
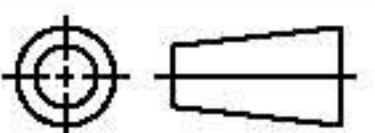


DETAIL X



PC Board Layout Ref.

E-YUNG ENTERPRISE CO., LTD.

DO NOT SCALE DRAWING	TOLERANCES UNLESS OTHERWISE NOTED	INCH	MM	DR. <i>H.W.CHAN</i>	DATE DEC-04 '07	TITLE 10POSITION, SMT TYPE LOW PROFILE, SIDE ENTRY PCB JACK		
	LINEAR	$\frac{\text{MM}}{\text{INCH}}$	$00 \pm .01$ $000 \pm .005$ $0000 \pm .002$	CK'D <i>M.CHANG</i>	DEC-04 '07			
MM INCH	ANGLE $\pm 0^\circ 30'$	RADII	$+ 0.40$ $- 0.15$	APP'D <i>W.J.YANG</i>	DEC-05 '07	REV.	SHEET	2 1