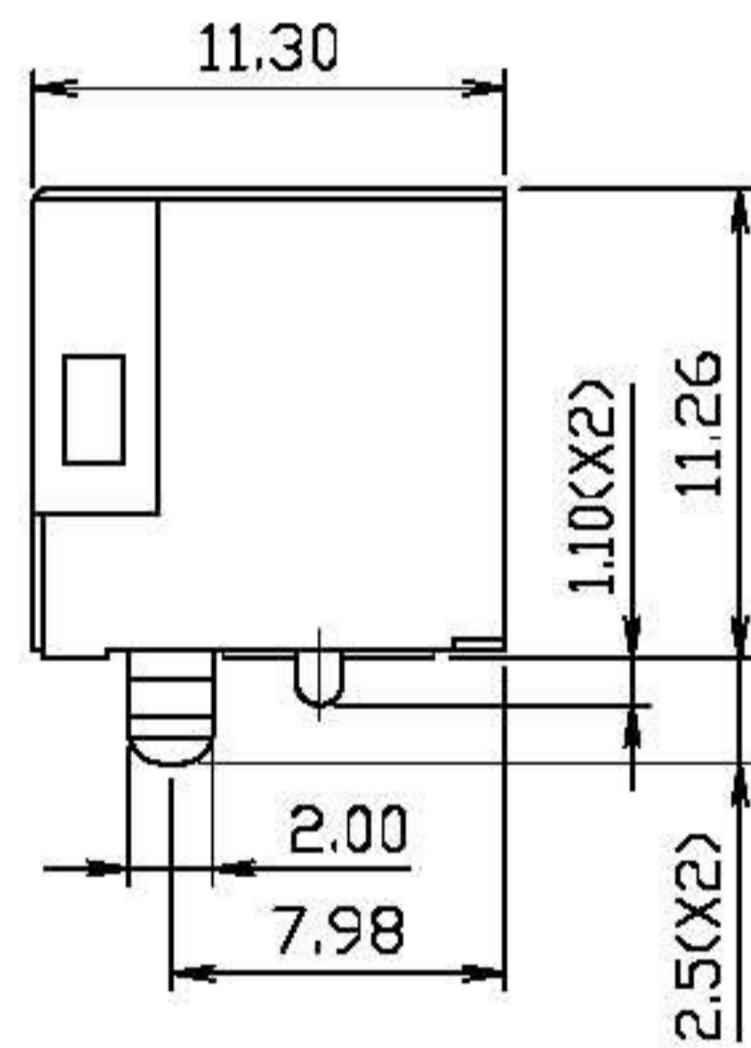
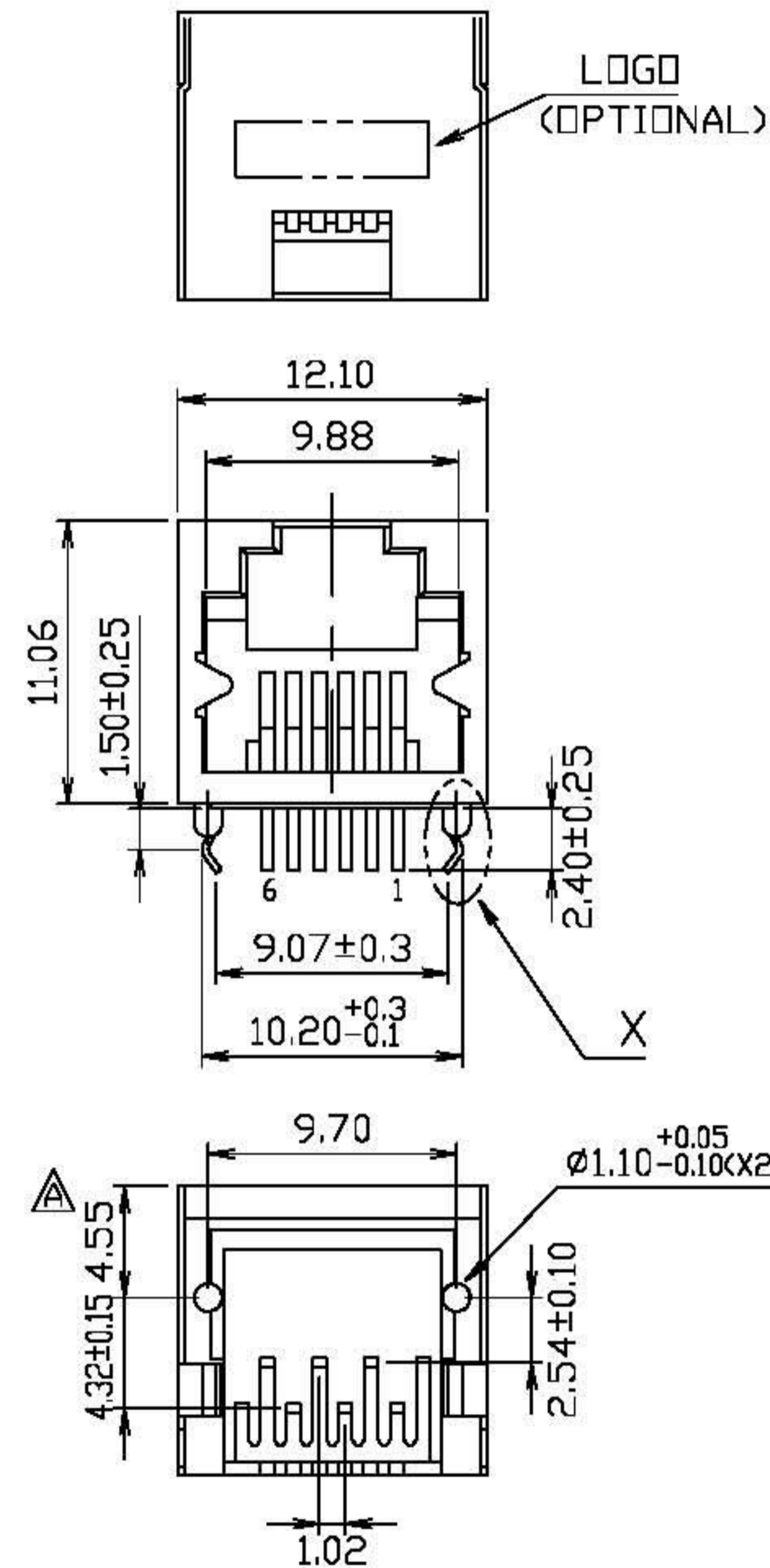


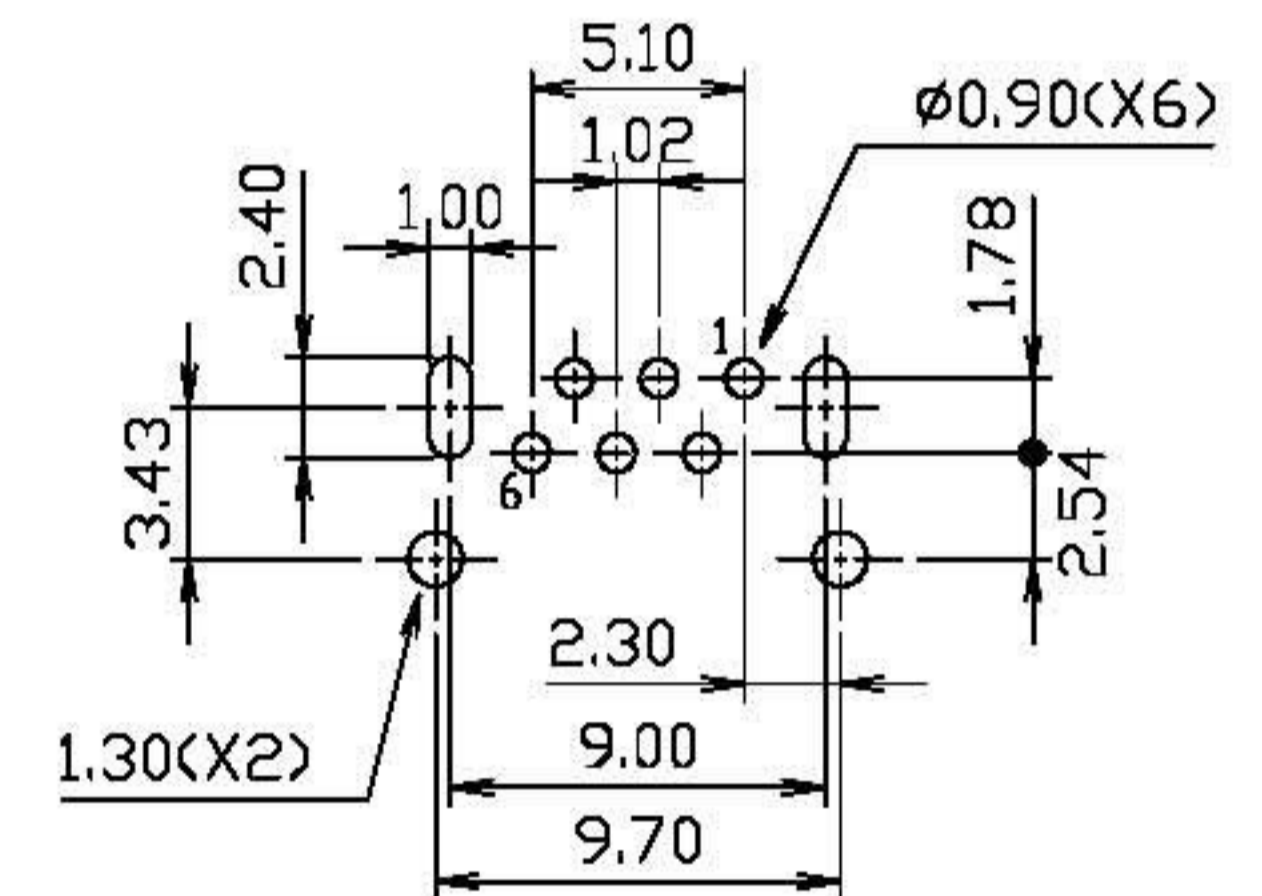
DETAIL X



REVISIONS			
LTR	DESCRIPTION	DATE	APP
△	4.35	07/18/'03	CHANG



LOGO
(OPTIONAL)



PC Board Layout
Ref.

E-YUNG ENTERPRISE CO., LTD.

DO NOT SCALE DRAWING	TOLERANCES UNLESS OTHERWISE NOTED	INCH	MM	DR. <i>M.L.HUANG</i>	DATE FEB-03 '06
THIRD ANGLE PROJECTION	LINEAR	MM 00 ± .01 000 ± .005 0000 ± .002	INCH 0.0 ± 0.25 0.00 ± 0.13 0.000 ± 0.05	CK'D <i>M.CHANG</i>	FEB-03 '06
MM INCH	ANGLE ± 0° 30'	RADII	+ 0.40 - 0.15	APP'D <i>W.J.YANG</i>	FEB-04 '06

TITLE		RJ11 RECEPTACLE CONNECTOR	
SCALE	SIZE	DWG.NO.	REV. SHEET
		962108	5 1