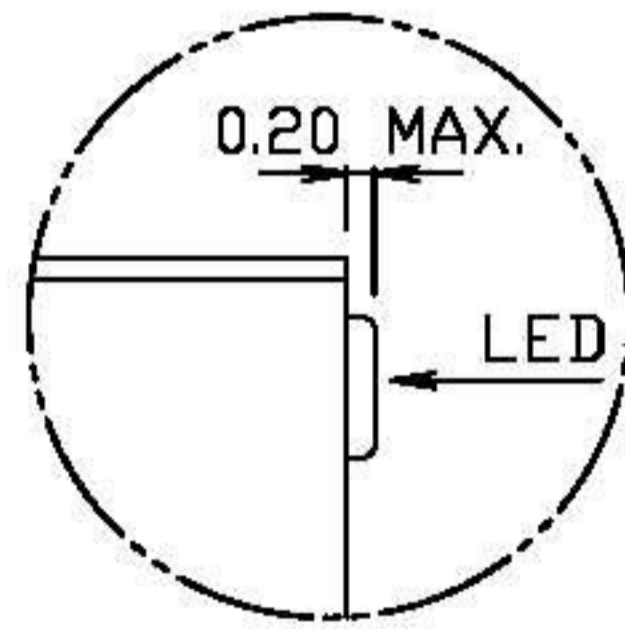
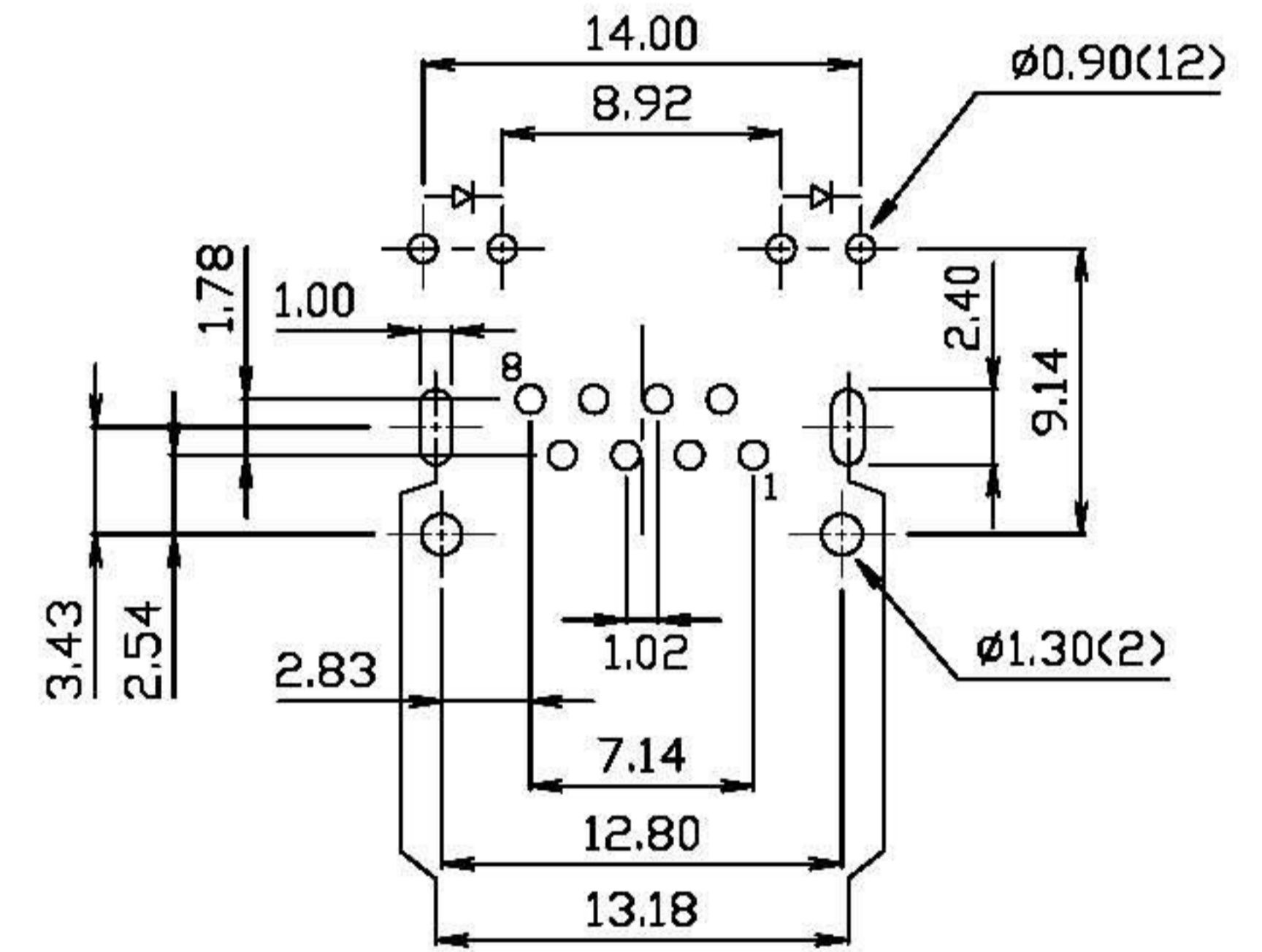
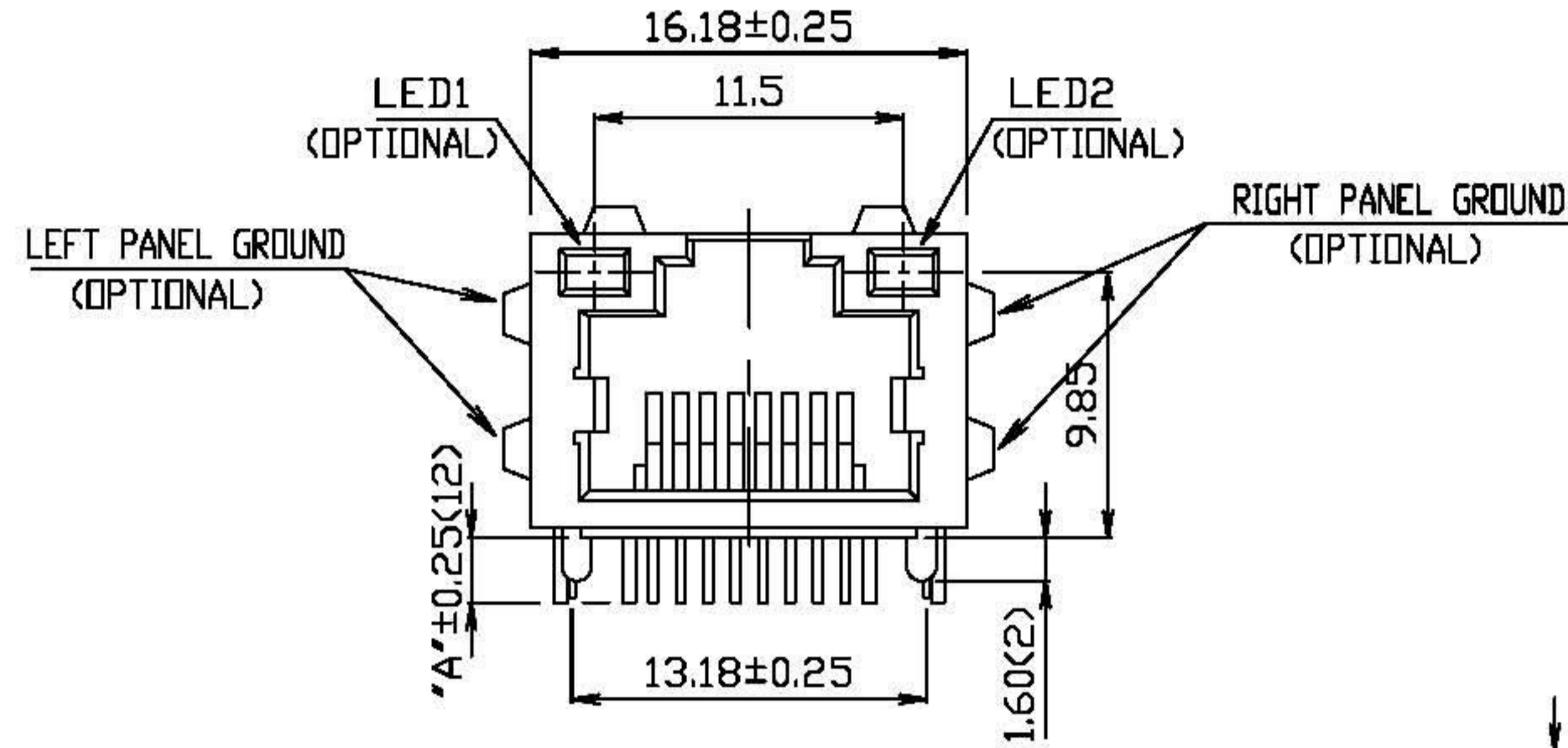
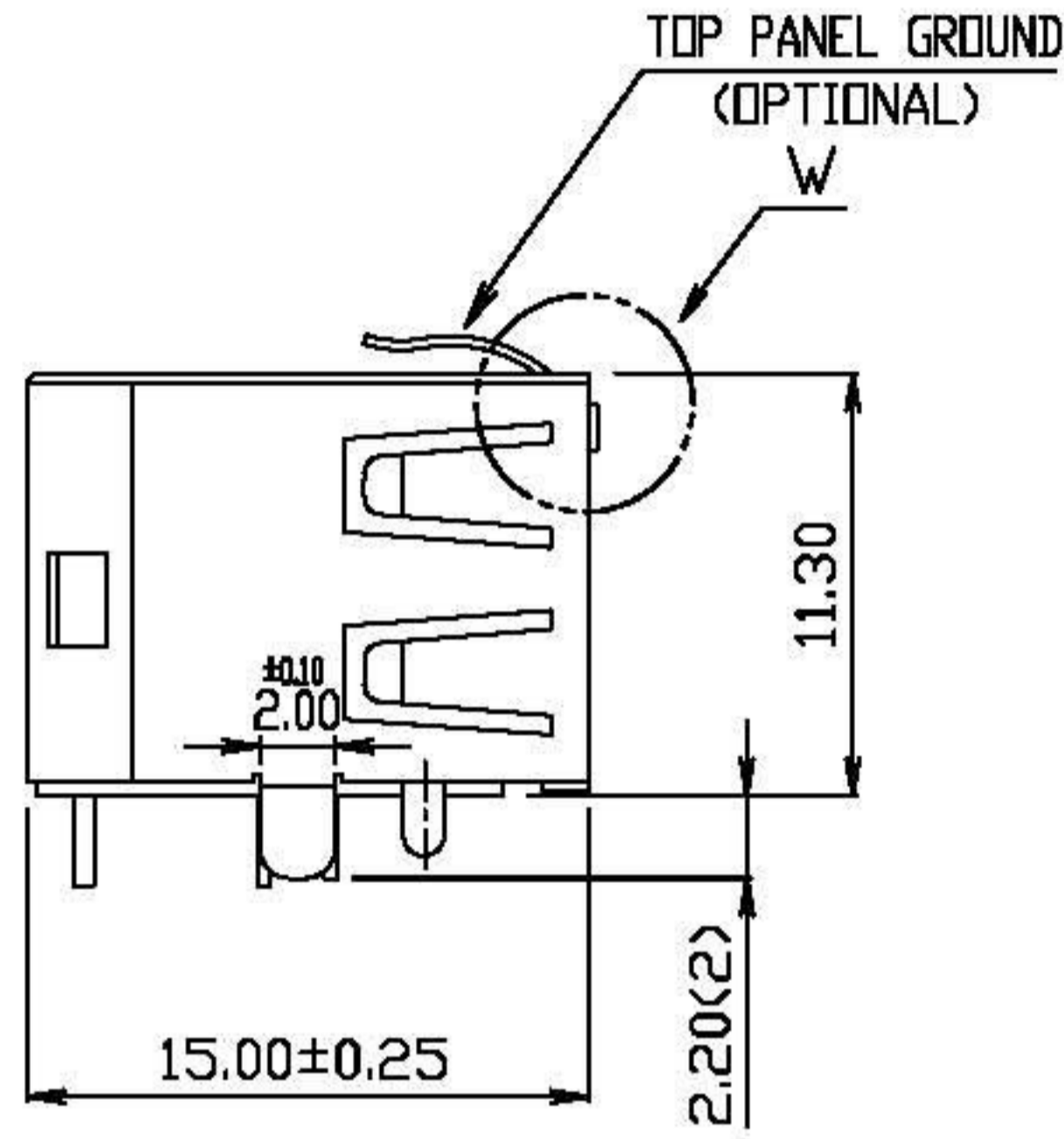
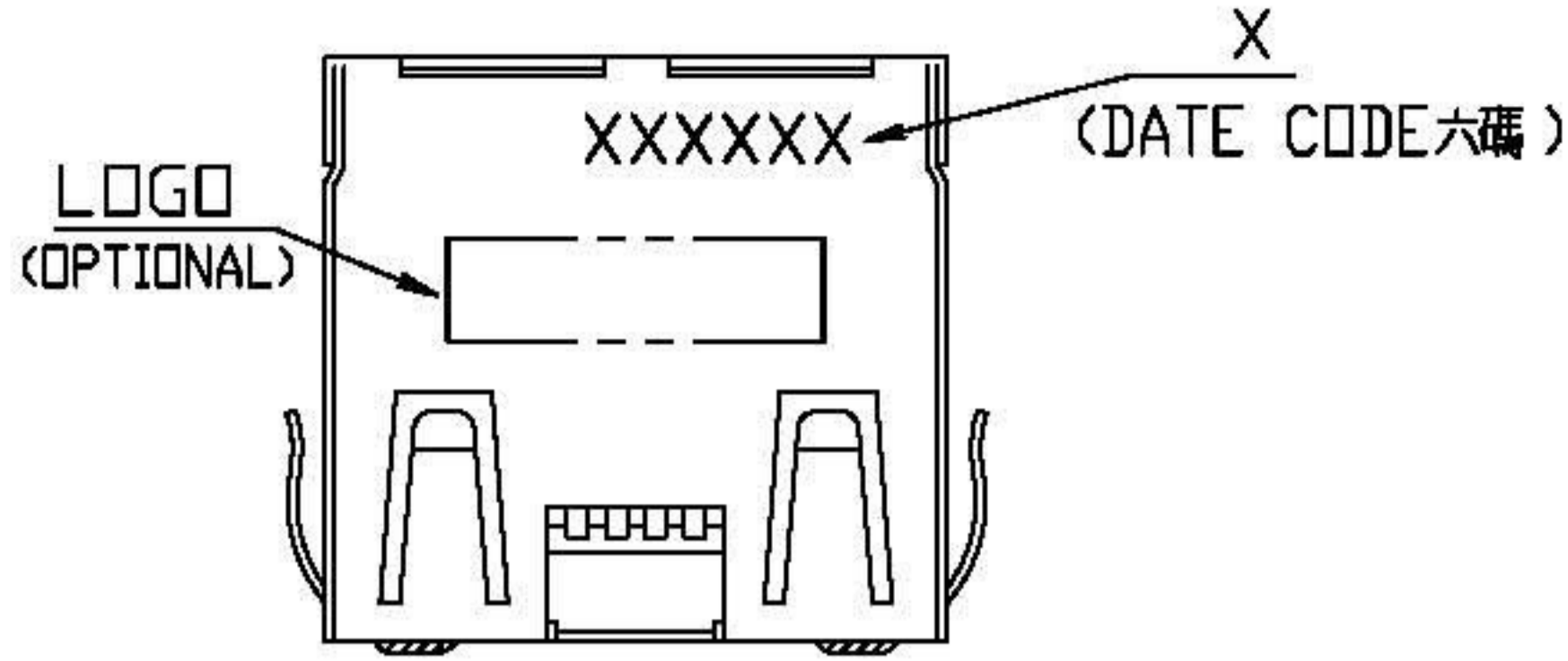
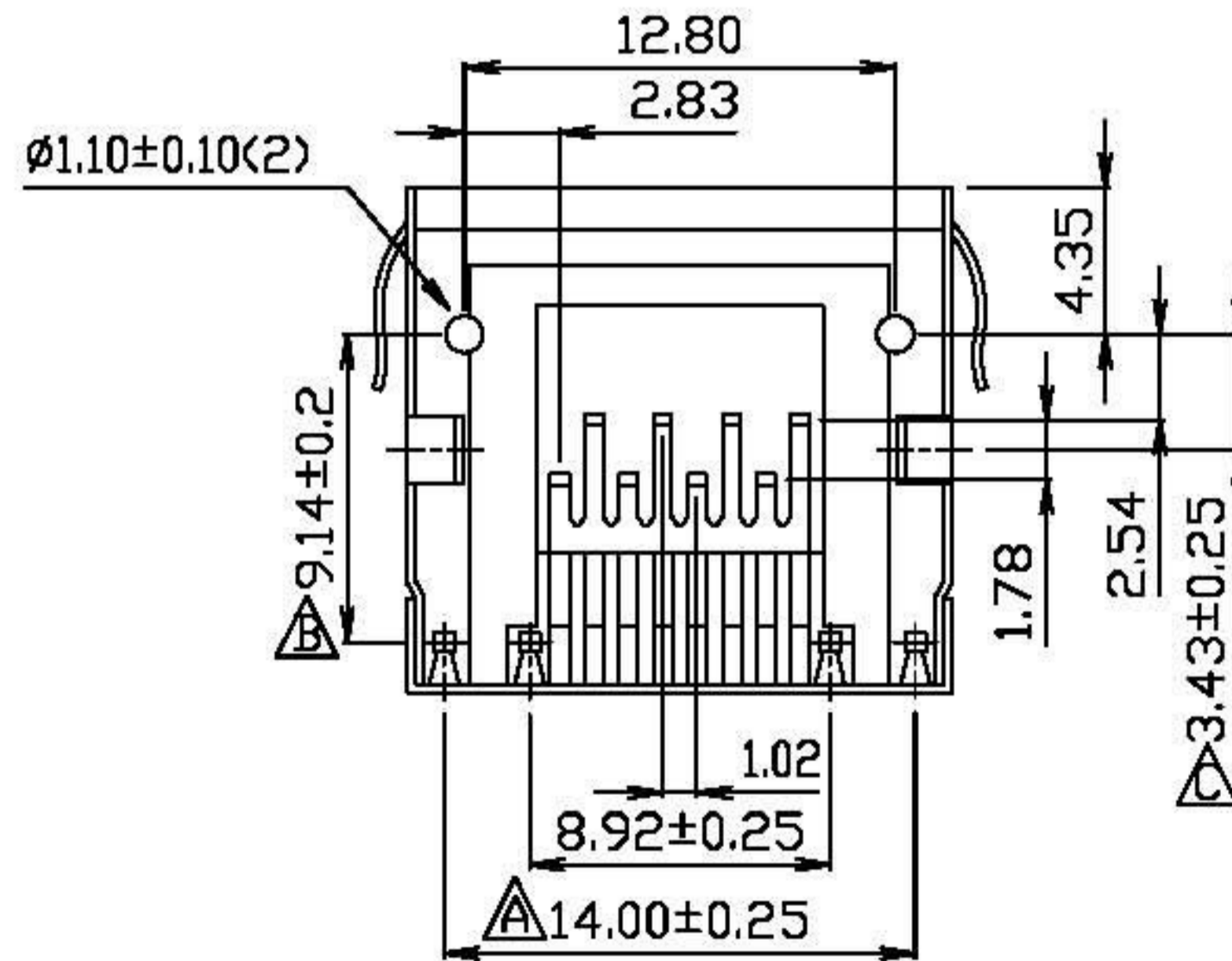


REVISIONS			
LTR	DESCRIPTION	DATE	APP
△	14.00	11/13/01	CHANG
△	9.14	11/13/01	CHANG
△	3.43	11/13/01	CHANG



DETAIL W



DETAIL X

DO NOT SCALE DRAWING	TOLERANCES UNLESS OTHERWISE NOTED	INCH	MM	DR. <i>M.L.HUANG</i>	DATE NOV-13 '06
THIRD ANGLE PROJECTION	LINEAR MM INCH	00 ± .01 000 ± .005 0000 ± .002	0.0 ± 0.25 0.00 ± 0.13 0.000 ± 0.05	CK'D <i>M.CHANG</i>	NOV-13 '06
MM INCH	ANGLE ± 0° 30'	RADII	+ 0.40 - 0.15	APP'D <i>W.J.YANG</i>	NOV-14 '06

E-YUNG ENTERPRISE CO., LTD.

TITLE		RJ45 RECEPTACLE CONNECTOR	
SCALE	SIZE	DWG.NO.	REV. SHEET
		962107	5 1