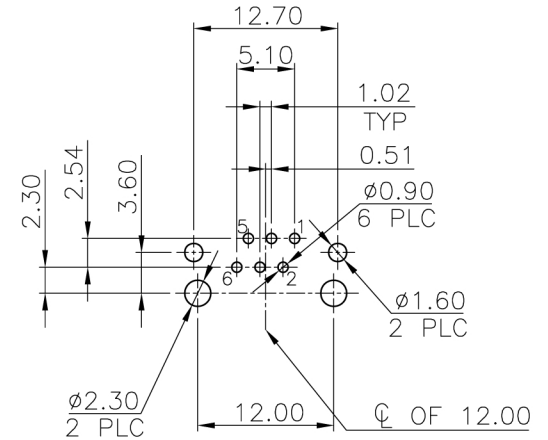
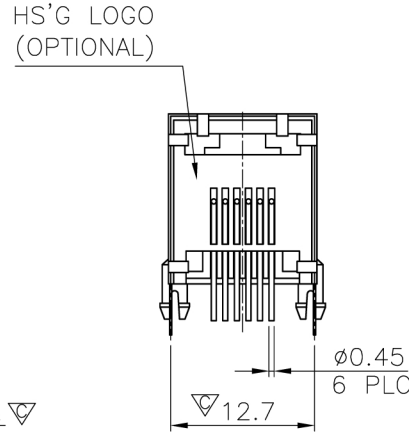
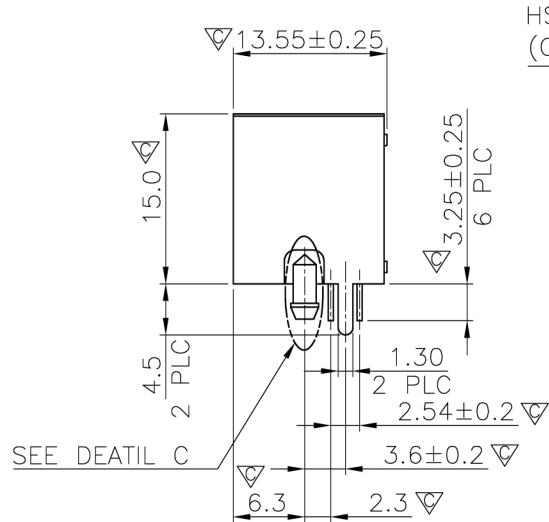
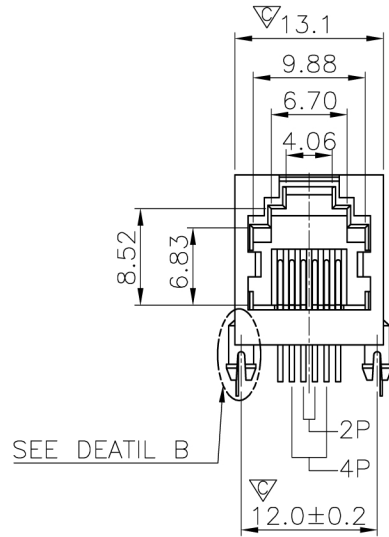
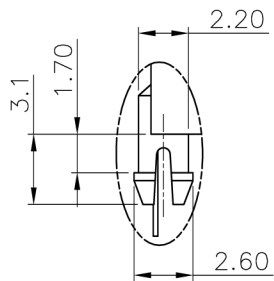


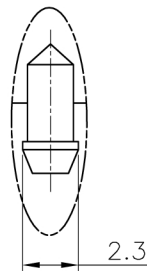
RoHS Compliance



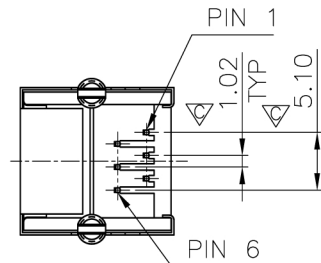
RECOMMENDED PCB LAYOUT
RECOMMENDED PCB THICKNESS: 1.6mm
TOLERANCE: ±0.05 (TOP VIEW)



DETAIL B
(SCALE 2:1)



DETAIL C
(SCALE 2:1)



THIS DRAWING IS A CONTROLLED DOCUMENT. DO NOT SCALE DRAWING.	
DIMENSIONS: MM	TOLERANCES UNLESS OTHERWISE SPECIFIED:
 THIRD ANGLE PROJECTION	0 PLC ± -
	1 PLC ± 0.25
	2 PLC ± 0.13
	3 PLC ± 0.05
ANGLES ± -	
MATERIAL SEE NOTES	FINISH SEE NOTES
DWN A.HUANG	DATE AUG-10-2010
CHK M.CHANG	AUG-10-2010
APVD W.J.YANG	AUG-11-2010

E-YUNG ENTERPRISE CO., LTD.

TITLE
 6POSITION, MINI LOW PROFILE,
 WITH SHELL, SIDE ENTRY PCB JACK

LTR	DESCRIPTION	DATE	APVD
REVISIONS			

SIZE A3	CAUGE CODE -	DRAWING NO 961208
WEIGHT -	GRAMS Ref.	REV 5 SHEET 1