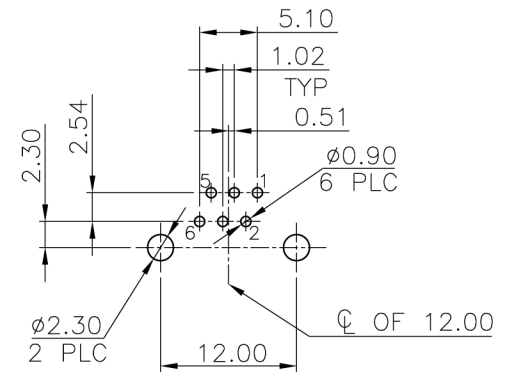
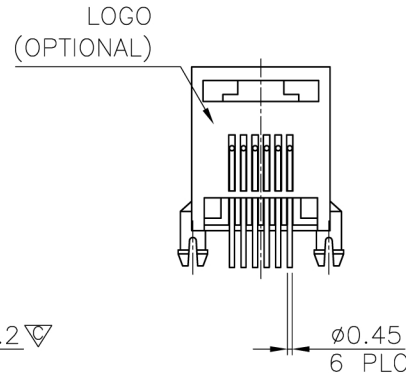
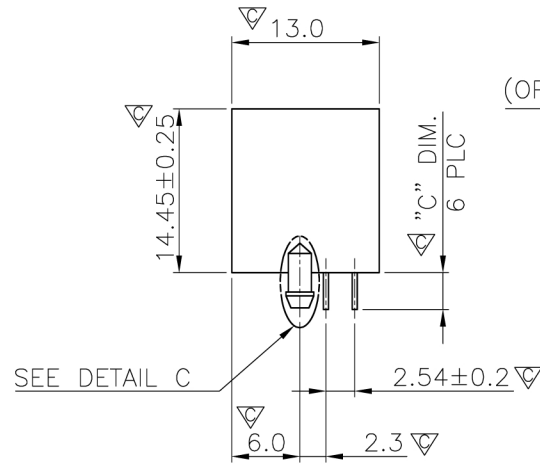
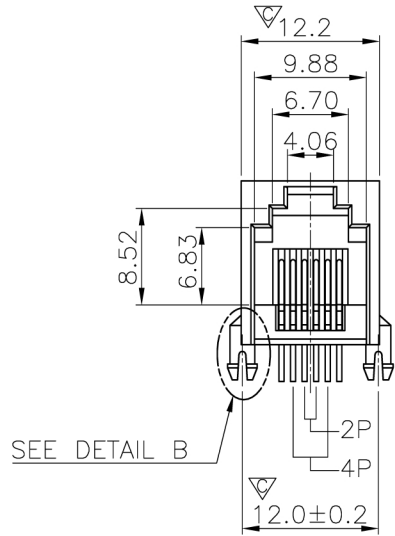
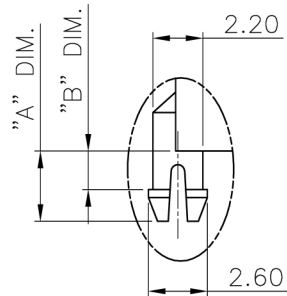


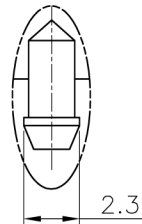
# RoHS Compliance



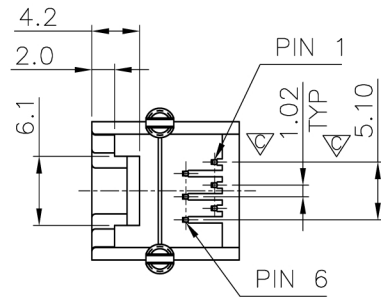
RECOMMENDED PCB LAYOUT  
 RECOMMENDED PCB THICKNESS: 1.6mm  
 TOLERANCE: ±0.05 (TOP VIEW)



DETAIL B  
(SCALE 2:1)



DETAIL C  
(SCALE 2:1)



THIS DRAWING IS A CONTROLLED DOCUMENT. DO NOT SCALE DRAWING.	
DIMENSIONS: MM	TOLERANCES UNLESS OTHERWISE SPECIFIED:
	0 PLC ± -
	1 PLC ± 0.25
	2 PLC ± 0.13
	3 PLC ± 0.05
THIRD ANGLE PROJECTION	ANGLES ± -
MATERIAL SEE NOTES	FINISH SEE NOTES
DWN <i>A.HUANG</i>	DATE AUG-10-2010
CHK <i>M.CHANG</i>	AUG-10-2010
APVD <i>W.J.YANG</i>	AUG-11-2010

**E-YUNG ENTERPRISE CO., LTD.**

TITLE  
6POSITION, MINI LOW PROFILE,  
SIDE ENTRY PCB JACK

LTR	DESCRIPTION	DATE	APVD
REVISIONS			

SIZE A3	CAUGE CODE -	DRAWING NO 961202
WEIGHT -	GRAMS Ref.	REV 4 SHEET 1