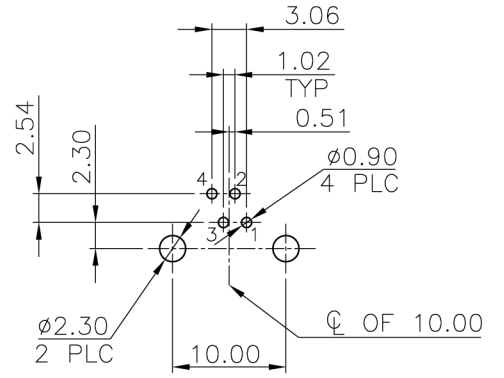
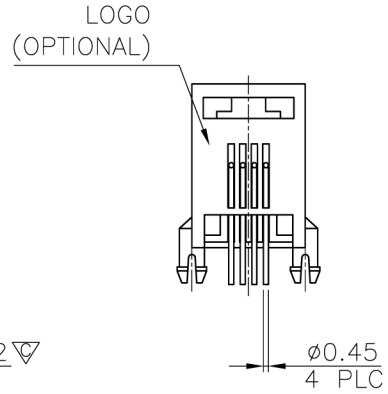
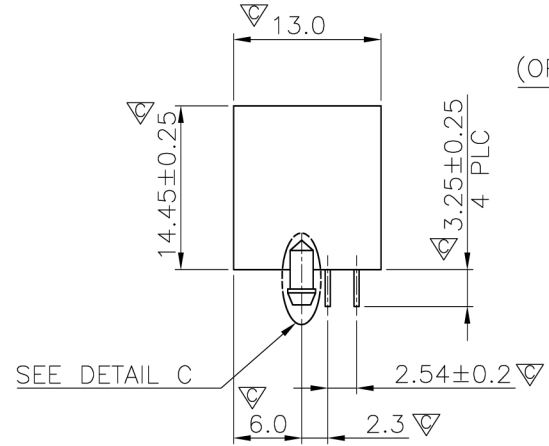
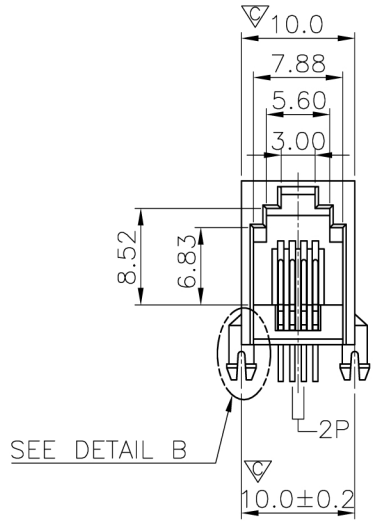
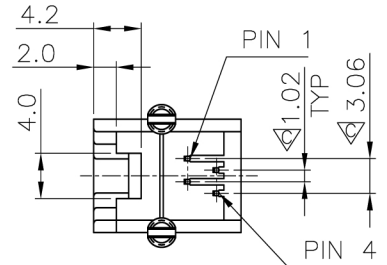
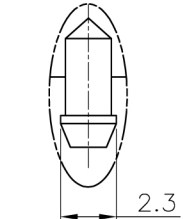
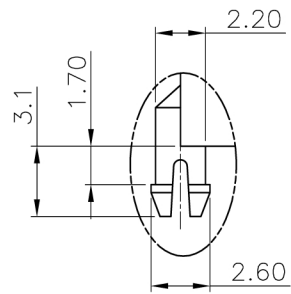


RoHS Compliance



RECOMMENDED PCB LAYOUT
RECOMMENDED PCB THICKNESS: 1.6mm
TOLERANCE: ±0.05 (TOP VIEW)



DETAIL B
(SCALE 2:1)

DETAIL C
(SCALE 2:1)

THIS DRAWING IS A CONTROLLED DOCUMENT. DO NOT SCALE DRAWING.	
DIMENSIONS: MM	TOLERANCES UNLESS OTHERWISE SPECIFIED:
	0 PLC ± -
	1 PLC ± 0.25
THIRD ANGLE PROJECTION	2 PLC ± 0.13
	3 PLC ± 0.05
MATERIAL	FINISH
SEE NOTES	SEE NOTES
DWN A.HUANG	DATE AUG-10-2010
CHK M.CHANG	AUG-10-2010
APVD W.J.YANG	AUG-11-2010

E-YUNG ENTERPRISE CO., LTD.		
TITLE 4POSITION, MINI LOW PROFILE, SIDE ENTRY PCB JACK		
SIZE	CAUGE CODE	DRAWING NO
A3	-	961201
WEIGHT	- GRAMS Ref.	REV 6 SHEET 1

LTR	DESCRIPTION	DATE	APVD
REVISIONS			