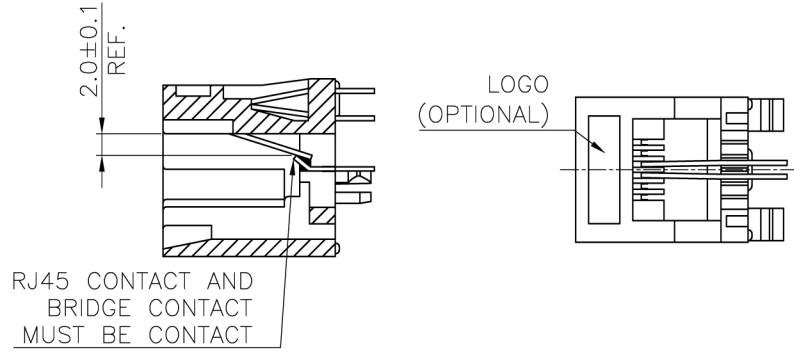
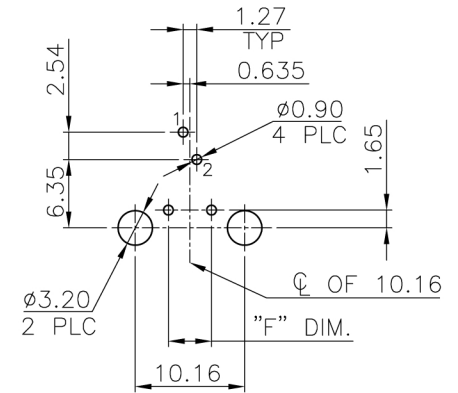
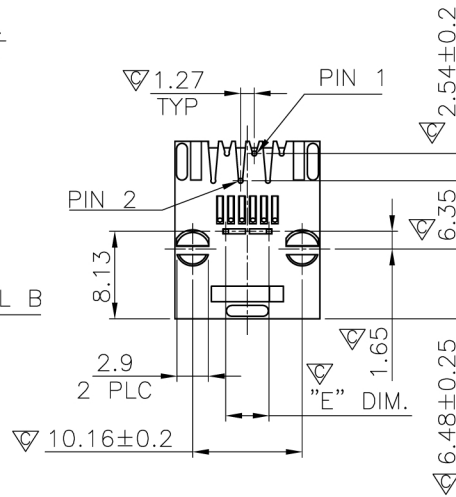
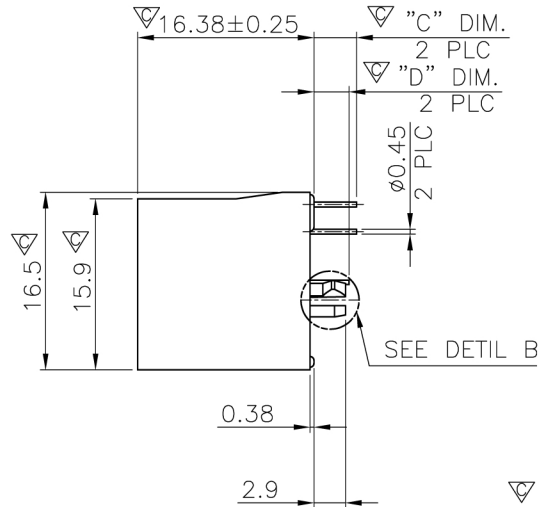
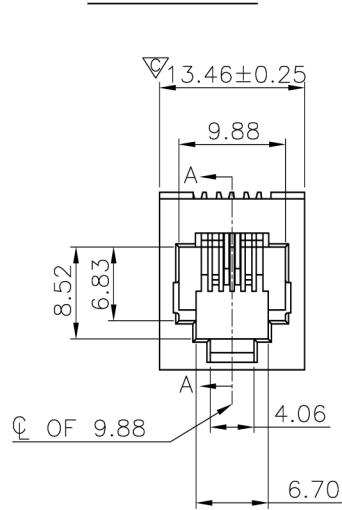


RoHS Compliance

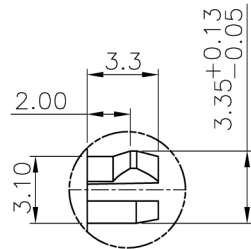


SECTION A-A



RECOMMENDED PCB LAYOUT

RECOMMENDED PCB THICKNESS: 1.6mm
TOLERANCE: ±0.05 (TOP VIEW)



DETAIL B
(SCALE 2:1)

THIS DRAWING IS A CONTROLLED DOCUMENT.
DO NOT SCALE DRAWING.

DIMENSIONS: MM TOLERANCES UNLESS OTHERWISE SPECIFIED:

0 PLC	± -
1 PLC	± 0.25
2 PLC	± 0.13
3 PLC	± 0.05
ANGLES	± -

THIRD ANGLE PROJECTION MATERIAL SEE NOTES FINISH SEE NOTES

DWN	<i>A.HUANG</i>	DATE	AUG-10-2010
CHK	<i>M.CHANG</i>	DATE	AUG-10-2010
APVD	<i>W.J.YANG</i>	DATE	AUG-11-2010

E-YUNG ENTERPRISE CO., LTD.

TITLE
6POSITION, 180°, SPLIT PEGS,
SHORTING BUSS, TOP ENTRY PCB JACK

LTR	DESCRIPTION	DATE	APVD
REVISIONS			

SIZE	CAUGE CODE	DRAWING NO
A3	-	961101
WEIGHT	- GRAMS Ref.	REV 7 SHEET 1