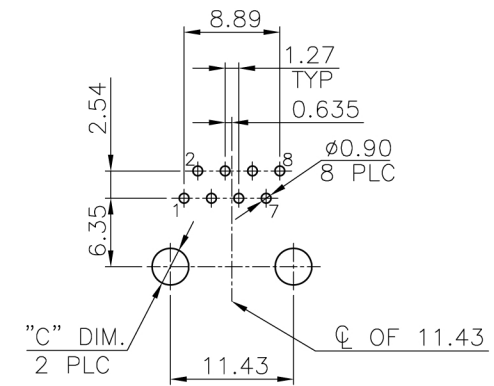
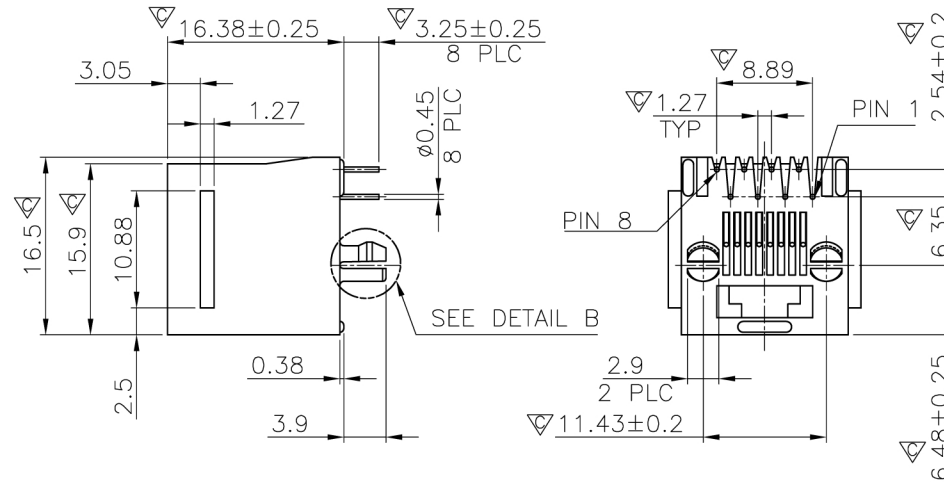
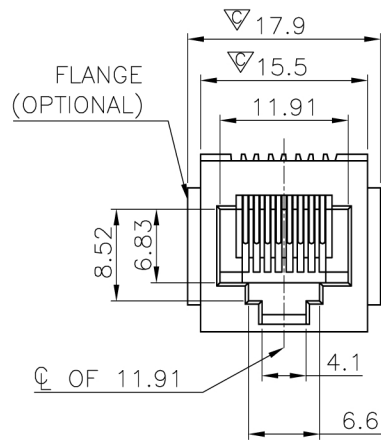
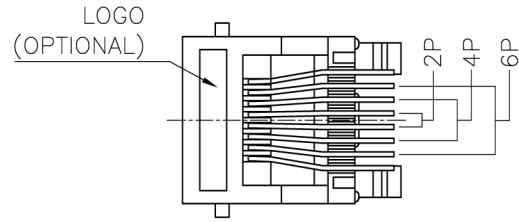
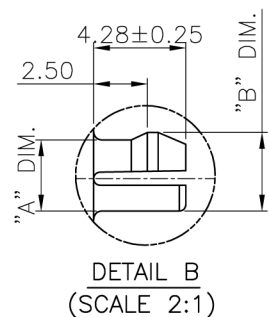
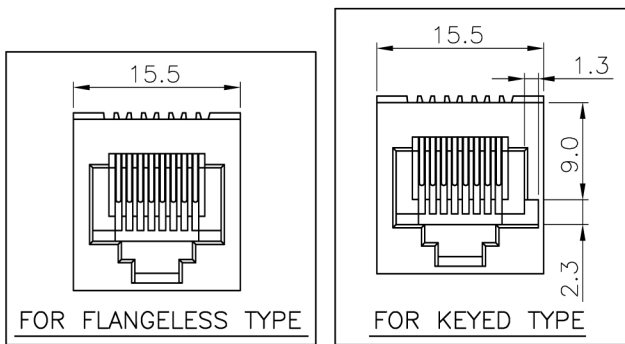


RoHS Compliance



RECOMMENDED PCB LAYOUT
RECOMMENDED PCB THICKNESS: 1.6mm
TOLERANCE: ±0.05 (TOP VIEW)



LTR	DESCRIPTION	DATE	APVD
REVISIONS			

THIS DRAWING IS A CONTROLLED DOCUMENT. DO NOT SCALE DRAWING.	
DIMENSIONS: MM	TOLERANCES UNLESS OTHERWISE SPECIFIED:
	0 PLC ± -
	1 PLC ± 0.25
THIRD ANGLE PROJECTION	2 PLC ± 0.13
MATERIAL	3 PLC ± 0.05
SEE NOTES	ANGLES ± -
DWN A.HUANG	DATE AUG-12-2010
CHK M.CHANG	DATE AUG-12-2010
APVD W.J.YANG	DATE AUG-13-2010

E-YUNG ENTERPRISE CO., LTD.			
TITLE 8POSITION, 180°, SPLIT PEGS, TOP ENTRY PCB JACK			
SIZE	CAUGE CODE	DRAWING NO	
A3	-	960703	
WEIGHT	- GRAMS Ref.	REV	SHEET
		7	1