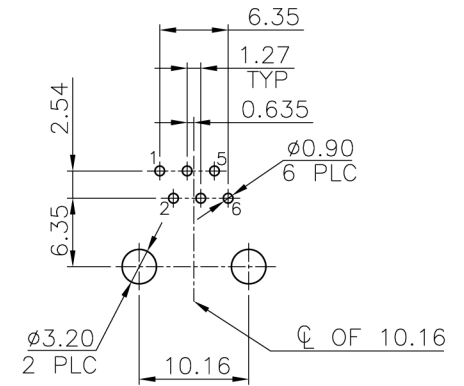
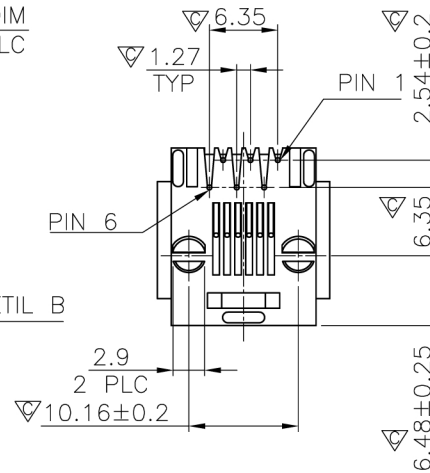
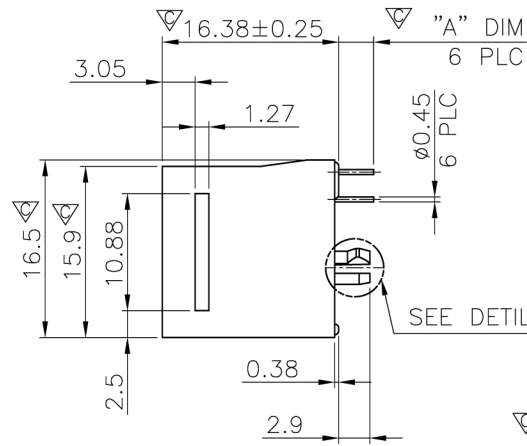
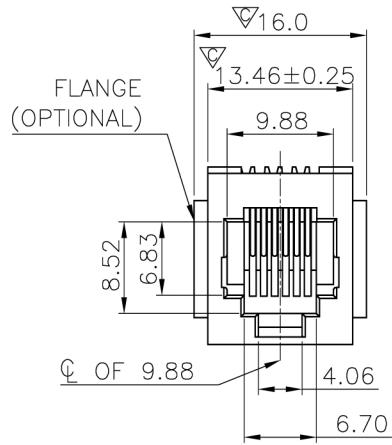
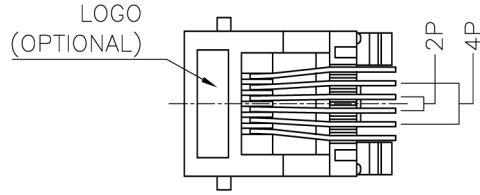
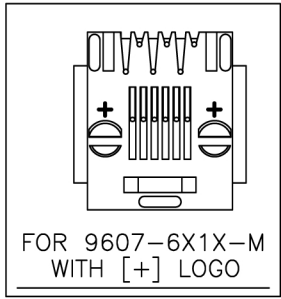
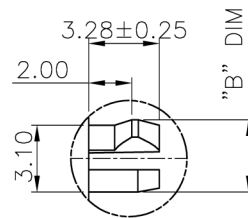
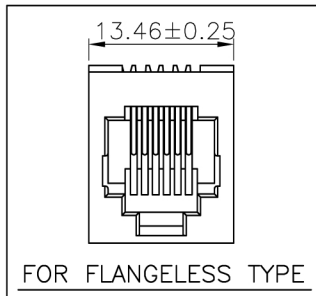


RoHS Compliance



RECOMMENDED PCB LAYOUT
RECOMMENDED PCB THICKNESS: 1.6mm
TOLERANCE: ±0.05 (TOP VIEW)



DETAIL B
(SCALE 2:1)

THIS DRAWING IS A CONTROLLED DOCUMENT.
DO NOT SCALE DRAWING.

DIMENSIONS:
MM

TOLERANCES UNLESS
OTHERWISE SPECIFIED:

0 PLC	± -
1 PLC	± 0.25
2 PLC	± 0.13
3 PLC	± 0.05
ANGLES	± -

THIRD ANGLE PROJECTION

MATERIAL SEE NOTES FINISH SEE NOTES

DWN *A.HUANG* DATE AUG-12-2010
CHK *M.CHANG* DATE AUG-12-2010
APVD *W.J.YANG* DATE AUG-13-2010

E-YUNG ENTERPRISE CO., LTD.

TITLE
6POSITION, 180°, SPLIT PEGS,
TOP ENTRY PCB JACK

SIZE	CAUGE CODE	DRAWING NO
A3	-	960702
WEIGHT	- GRAMS Ref.	REV 4 SHEET 1

LTR	DESCRIPTION	DATE	APVD
REVISIONS			