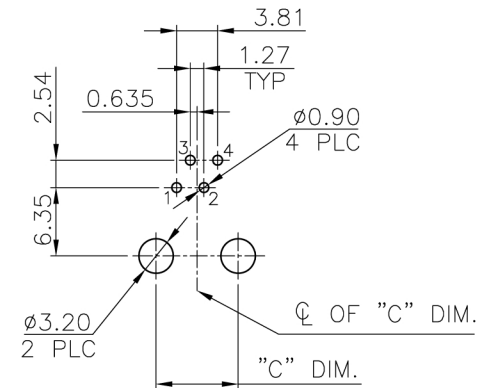
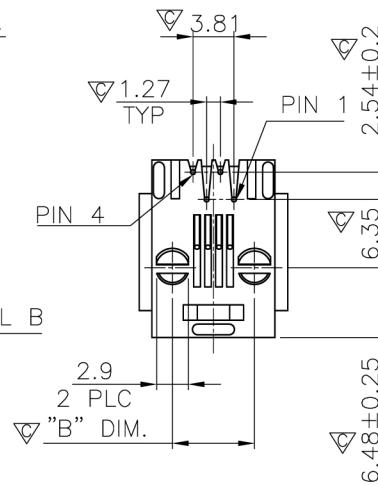
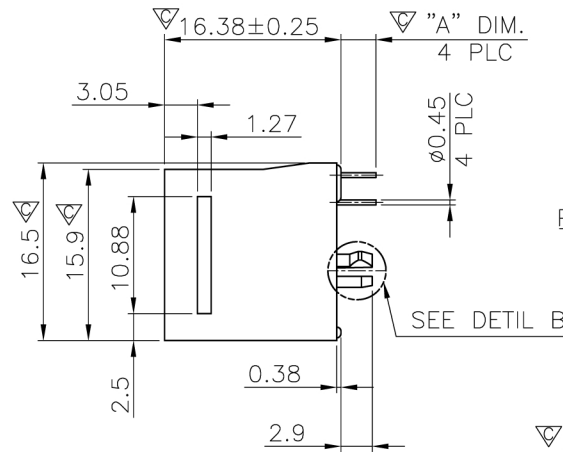
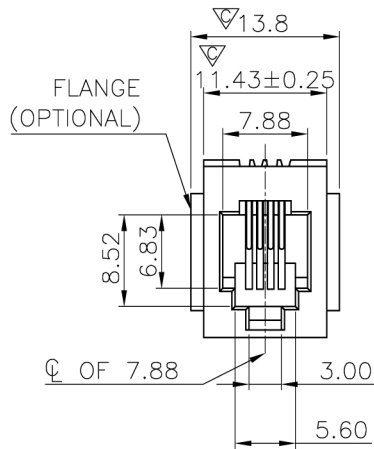
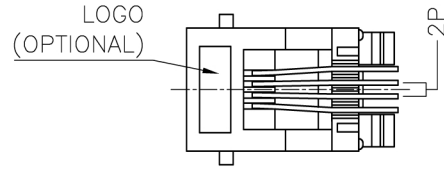
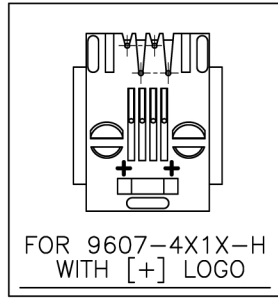
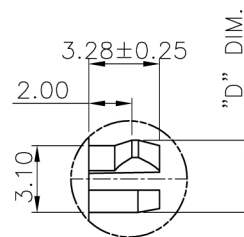
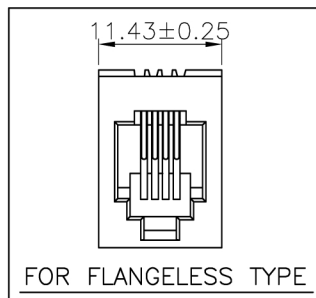


RoHS Compliance



RECOMMENDED PCB LAYOUT
RECOMMENDED PCB THICKNESS: 1.6mm
TOLERANCE: ±0.05 (TOP VIEW)



DETAIL B
(SCALE 2:1)

THIS DRAWING IS A CONTROLLED DOCUMENT.
DO NOT SCALE DRAWING.

DIMENSIONS:
MM

TOLERANCES UNLESS
OTHERWISE SPECIFIED:

0 PLC	± -
1 PLC	± 0.25
2 PLC	± 0.13
3 PLC	± 0.05
ANGLES	± -

THIRD ANGLE PROJECTION

MATERIAL: SEE NOTES

FINISH: SEE NOTES

DWN: A.HUANG
DATE: AUG-12-2010
CHK: M.CHANG
DATE: AUG-12-2010
APVD: W.J.YANG
DATE: AUG-13-2010

E-YUNG ENTERPRISE CO., LTD.

TITLE: 4POSITION, 180°, SPLIT PEGS, TOP ENTRY PCB JACK

SIZE: A3	CAUGE CODE: -	DRAWING NO: 960701
WEIGHT: - GRAMS Ref.	REV: 7	SHEET: 1

LTR	DESCRIPTION	DATE	APVD
REVISIONS			