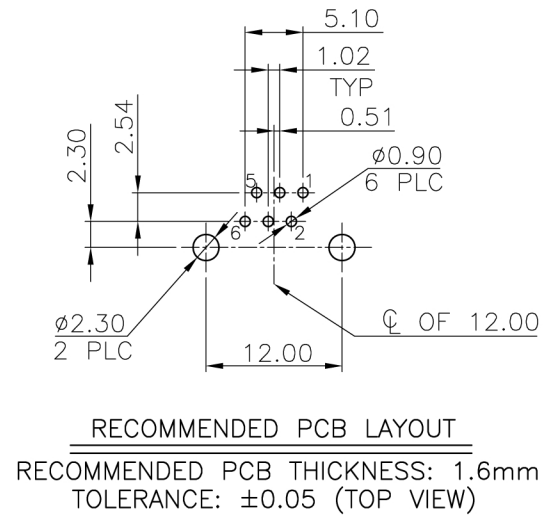
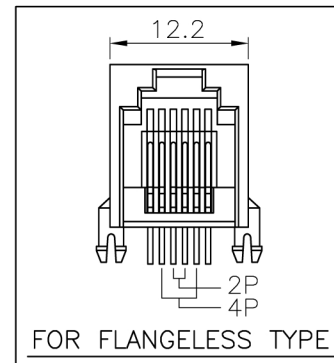
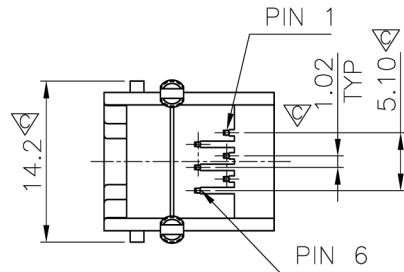
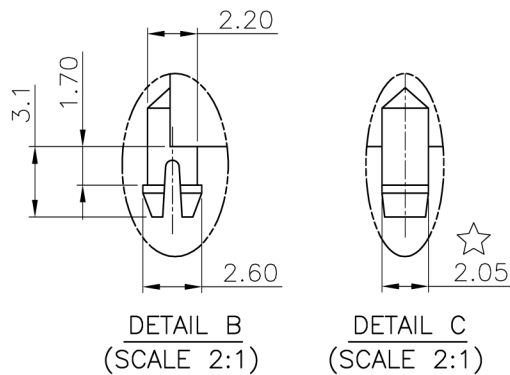
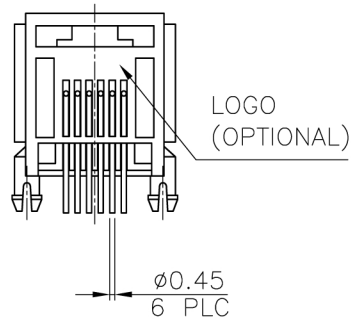
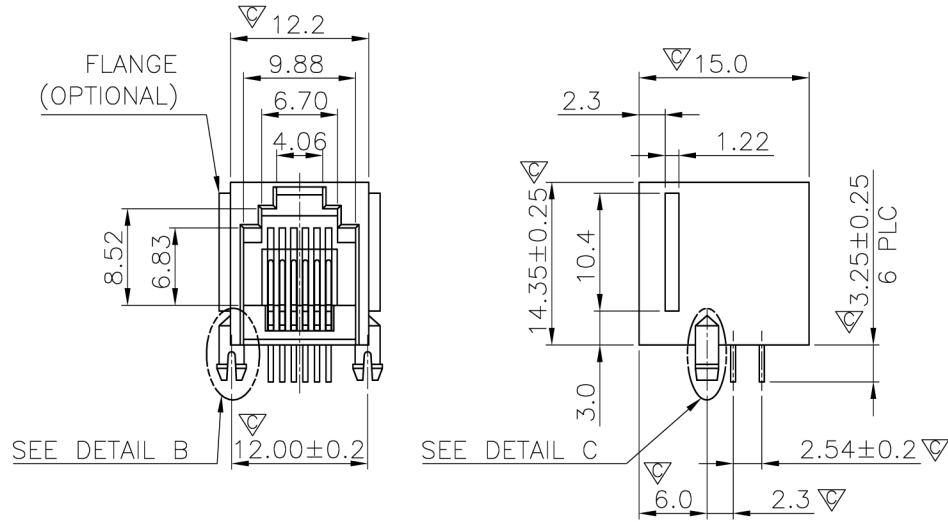


# RoHS Compliance



THIS DRAWING IS A CONTROLLED DOCUMENT. DO NOT SCALE DRAWING.	
DIMENSIONS: MM	TOLERANCES UNLESS OTHERWISE SPECIFIED:
	0 PLC ± -
	1 PLC ± 0.25
THIRD ANGLE PROJECTION	2 PLC ± 0.13
	3 PLC ± 0.05
MATERIAL	FINISH
SEE NOTES	SEE NOTES
DWN <b>A.HUANG</b>	DATE AUG-10-2010
CHK <b>M.CHANG</b>	AUG-10-2010
APVD <b>W.J.YANG</b>	AUG-11-2010

<b>E-YUNG ENTERPRISE CO., LTD.</b>		
TITLE 6POSITION, LOW PROFILE, SIDE ENTRY PCB JACK		
SIZE <b>A3</b>	CAUGE CODE -	DRAWING NO <b>960603</b>
WEIGHT -	GRAMS Ref.	REV <b>2</b> SHEET <b>1</b>

LTR	DESCRIPTION	DATE	APVD
REVISIONS			