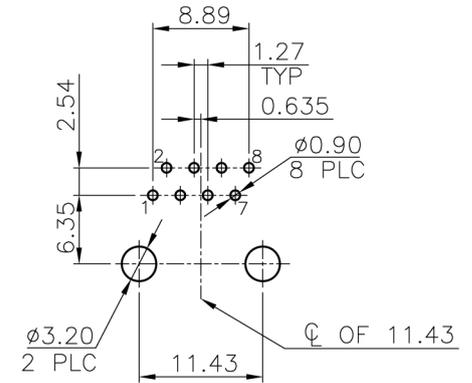
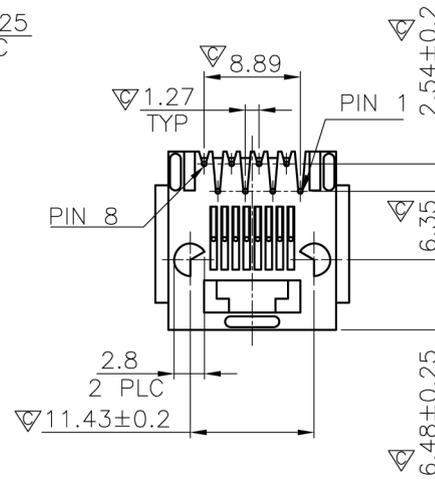
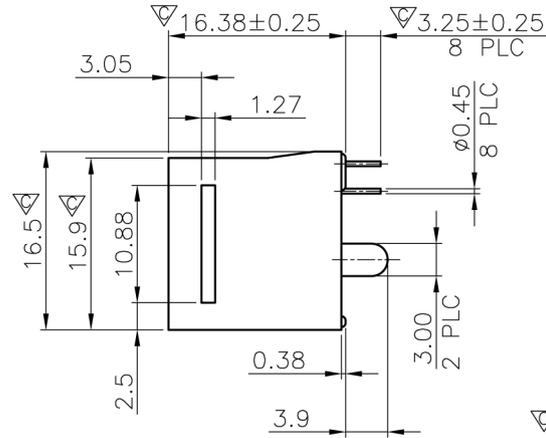
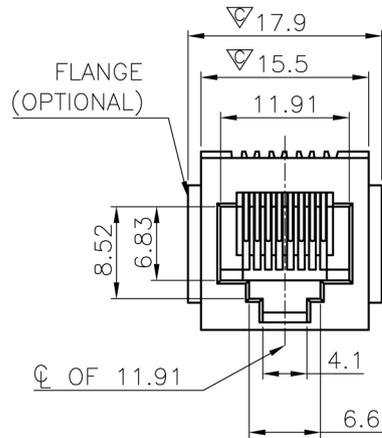
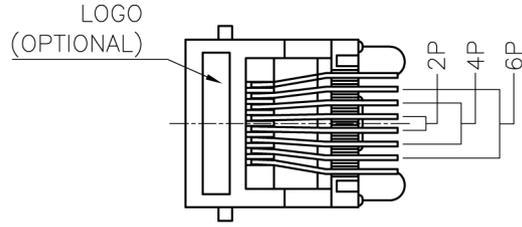
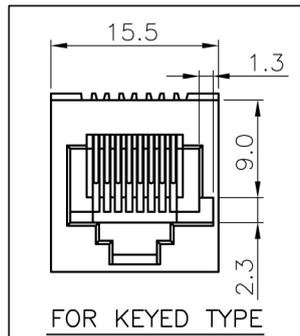
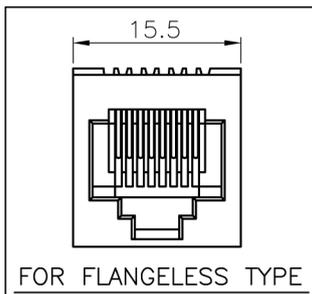


RoHS Compliance



RECOMMENDED PCB LAYOUT
RECOMMENDED PCB THICKNESS: 1.6mm
TOLERANCE: ±0.05 (TOP VIEW)



THIS DRAWING IS A CONTROLLED DOCUMENT. DO NOT SCALE DRAWING.	
DIMENSIONS: MM	TOLERANCES UNLESS OTHERWISE SPECIFIED:
	0 PLC ± -
	1 PLC ± 0.25
THIRD ANGLE PROJECTION	2 PLC ± 0.13
MATERIAL	3 PLC ± 0.05
SEE NOTES	ANGLES ± -
DWN A.HUANG	DATE MAR-08-2010
CHK M.CHANG	MAR-08-2010
APVD W.J.YANG	MAR-09-2010

E-YUNG ENTERPRISE CO., LTD.		
TITLE 8POSITION, 180°, L PEGS, TOP ENTRY PCB JACK		
SIZE A3	CAUSE CODE -	DRAWING NO 960504
WEIGHT -	GRAMS Ref.	REV 4 SHEET 1

LTR	DESCRIPTION	DATE	APVD
REVISIONS			