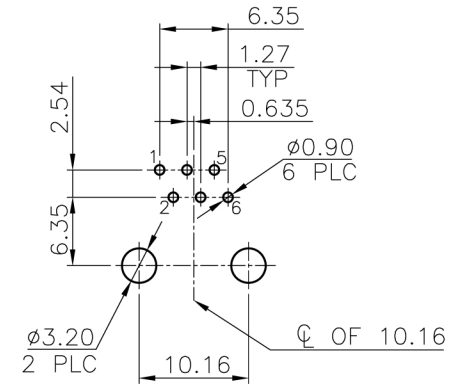
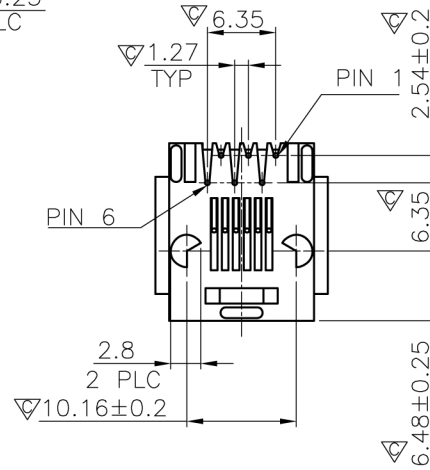
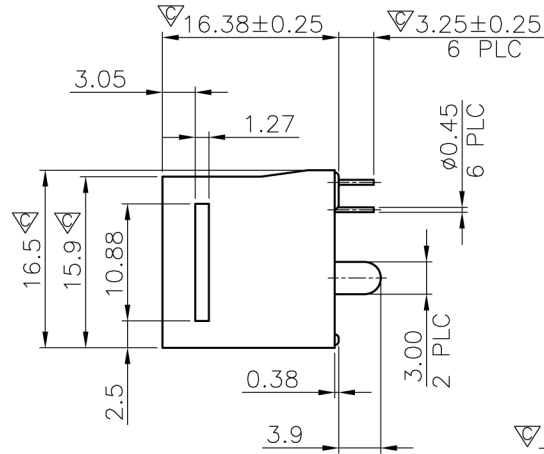
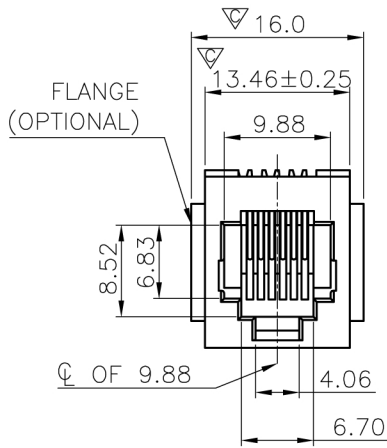
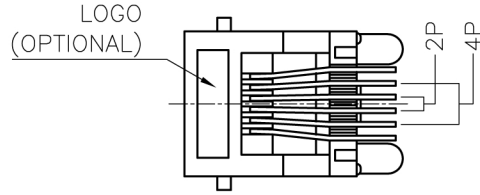
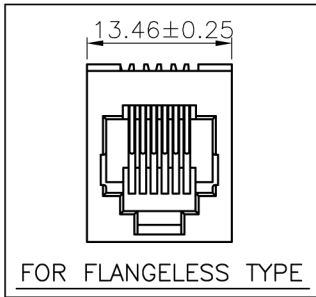


RoHS Compliance



RECOMMENDED PCB LAYOUT

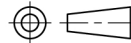
RECOMMENDED PCB THICKNESS: 1.6mm
TOLERANCE: ±0.05 (TOP VIEW)



THIS DRAWING IS A CONTROLLED DOCUMENT.
DO NOT SCALE DRAWING.

DIMENSIONS:
MM

TOLERANCES UNLESS
OTHERWISE SPECIFIED:



THIRD ANGLE PROJECTION

0 PLC ± -
1 PLC ± 0.25
2 PLC ± 0.13
3 PLC ± 0.05
ANGLES ± -

MATERIAL

FINISH

SEE NOTES

SEE NOTES

DWN *A.HUANG*

DATE MAR-08-2010

CHK *M.CHANG*

MAR-08-2010

APVD *W.J.YANG*

MAR-09-2010

E-YUNG ENTERPRISE CO., LTD.

TITLE

6POSITION, 180°, L PEGS,
TOP ENTRY PCB JACK

SIZE

CAUGE CODE

DRAWING NO

A3

-

960502

WEIGHT

- GRAMS Ref.

REV 3

SHEET 1

LTR	DESCRIPTION	DATE	APVD
REVISIONS			