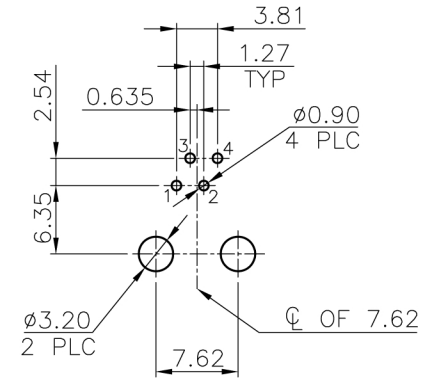
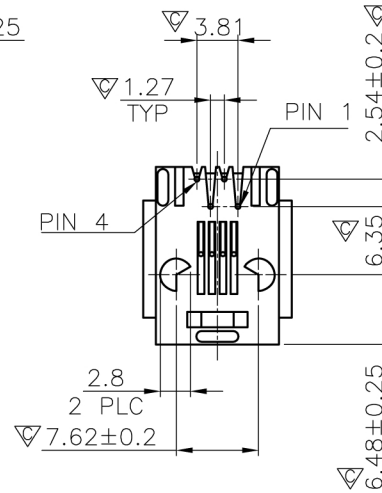
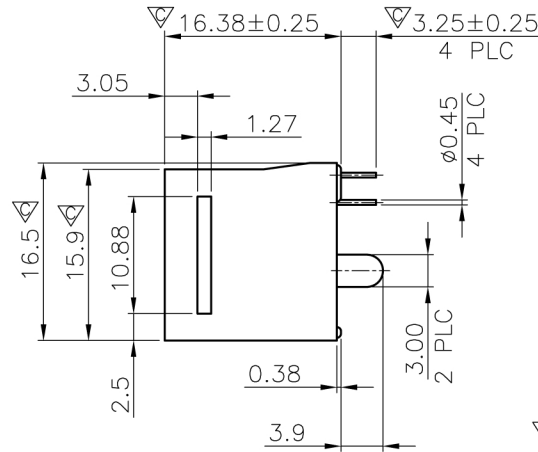
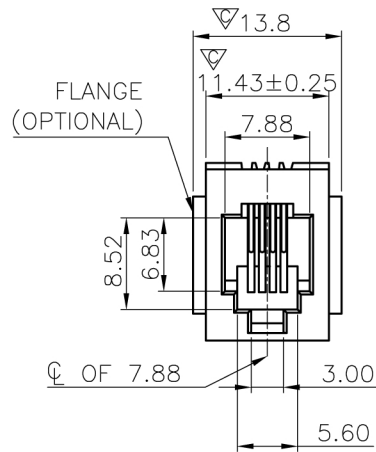
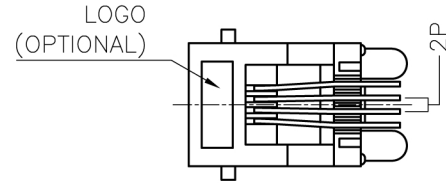
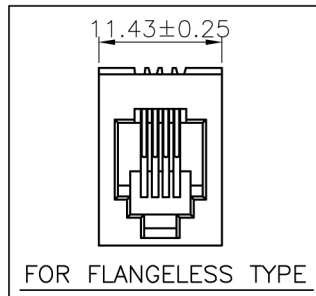


RoHS Compliance



RECOMMENDED PCB LAYOUT
RECOMMENDED PCB THICKNESS: 1.6mm
TOLERANCE: ±0.05 (TOP VIEW)



THIS DRAWING IS A CONTROLLED DOCUMENT.
 DO NOT SCALE DRAWING.

DIMENSIONS: MM
 TOLERANCES UNLESS OTHERWISE SPECIFIED:

0 PLC	± -
1 PLC	± 0.25
2 PLC	± 0.13
3 PLC	± 0.05
ANGLES	± -

THIRD ANGLE PROJECTION
 MATERIAL SEE NOTES
 FINISH SEE NOTES

E-YUNG ENTERPRISE CO., LTD.

TITLE
 4POSITION, 180°, L PEGS,
 TOP ENTRY PCB JACK

LTR	DESCRIPTION	DATE	APVD
REVISIONS			

DWN	A.HUANG	DATE	MAR-05-2010
CHK	M.CHANG	DATE	MAR-05-2010
APVD	W.J.YANG	DATE	MAR-06-2010

SIZE	CAUGE CODE	DRAWING NO
A3	-	960501
WEIGHT	- GRAMS Ref.	REV 3 SHEET 1