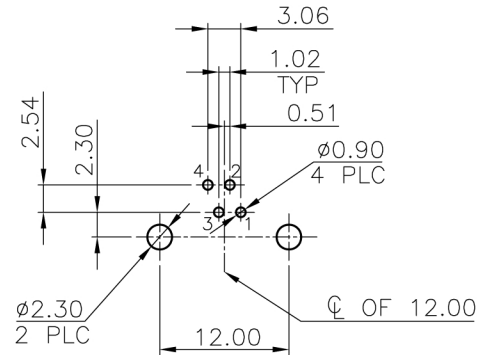
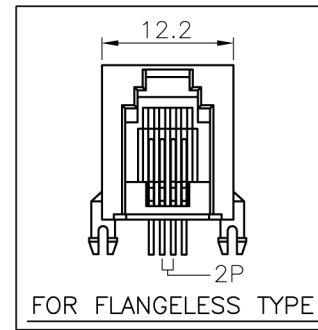
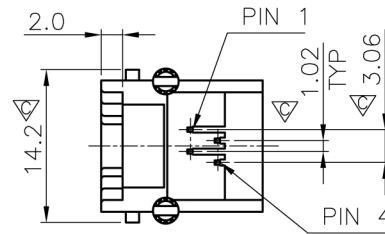
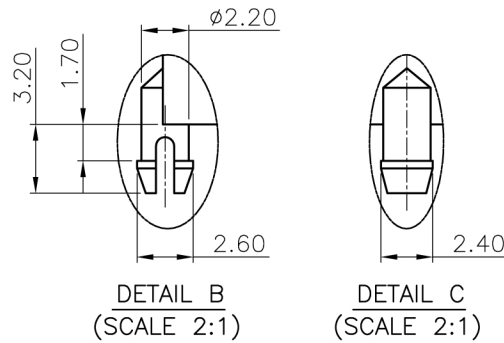
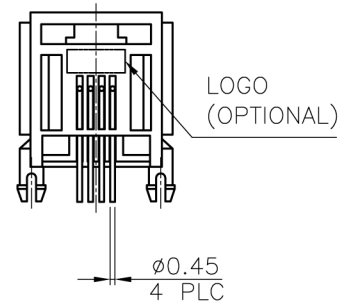
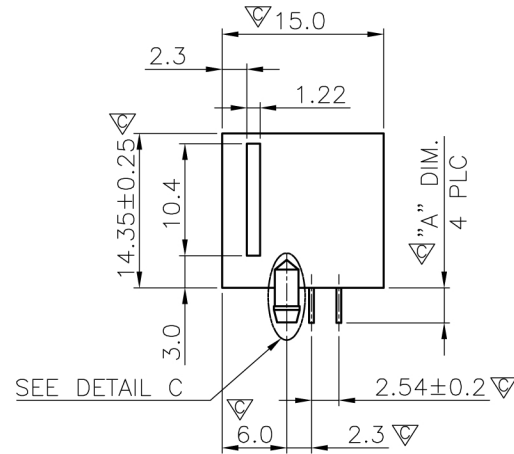
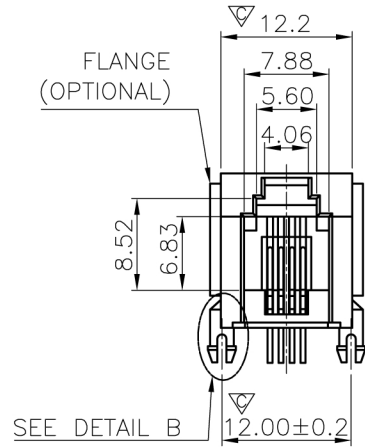


RoHS Compliance

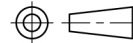


RECOMMENDED PCB LAYOUT
RECOMMENDED PCB THICKNESS: 1.6mm
TOLERANCE: ±0.05 (TOP VIEW)

THIS DRAWING IS A CONTROLLED DOCUMENT.
DO NOT SCALE DRAWING.

DIMENSIONS:
MM

TOLERANCES UNLESS
OTHERWISE SPECIFIED:



THIRD ANGLE PROJECTION

MATERIAL

FINISH

DWN *A.HUANG*

DATE JAN-29-2010

CHK *M.CHANG*

JAN-29-2010

APVD *W.J.YANG*

JAN-30-2010

E-YUNG ENTERPRISE CO., LTD.

TITLE

6*4POSITION, LOW PROFILE,
SIDE ENTRY PCB JACK

SIZE

CAUGE CODE

DRAWING NO

A3

-

960401

WEIGHT

- GRAMS Ref.

REV 3

SHEET 1

LTR	DESCRIPTION	DATE	APVD
REVISIONS			