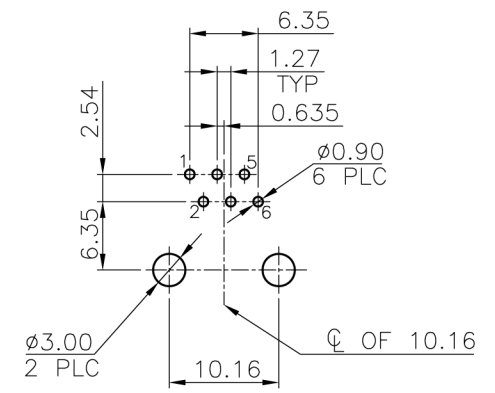
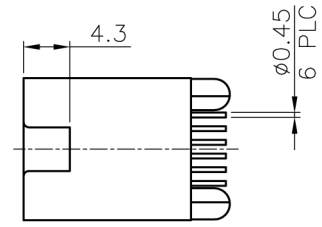
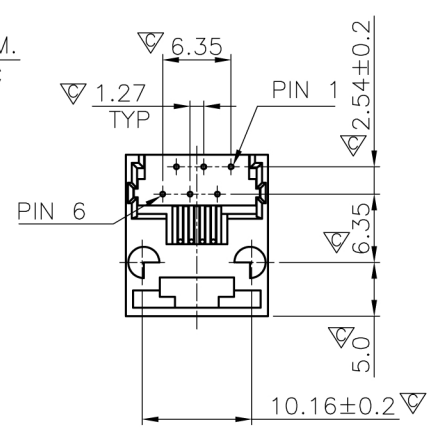
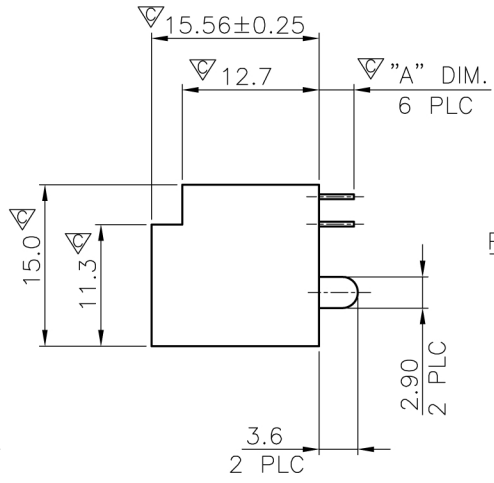
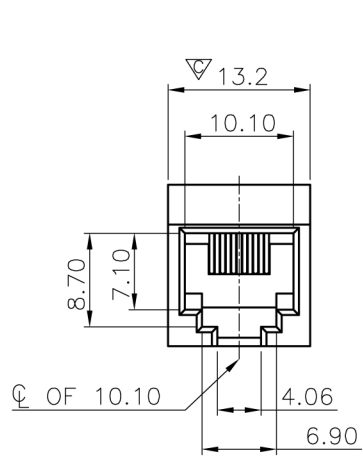


RoHS Compliance



RECOMMENDED PCB LAYOUT
 RECOMMENDED PCB THICKNESS: 1.6mm
 TOLERANCE: ±0.05 (TOP VIEW)

THIS DRAWING IS A CONTROLLED DOCUMENT. DO NOT SCALE DRAWING.			
DIMENSIONS: MM		TOLERANCES UNLESS OTHERWISE SPECIFIED:	
 THIRD ANGLE PROJECTION		0 PLC	± -
		1 PLC	± 0.25
MATERIAL		FINISH	
SEE NOTES		SEE NOTES	
DWN	<i>A.HUANG</i>	DATE	JAN-26-2010
CHK	<i>M.CHANG</i>	DATE	JAN-26-2010
APVD	<i>W.J.YANG</i>	DATE	JAN-27-2010

E-YUNG ENTERPRISE CO., LTD.			
TITLE 6POSITION, L PEGS, TOP ENTRY PCB JACK			
SIZE	CAUGE CODE	DRAWING NO	
A3	-	960301	
WEIGHT	- GRAMS Ref.	REV	SHEET
		2	1

LTR	DESCRIPTION	DATE	APVD
REVISIONS			