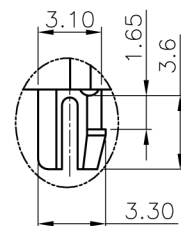
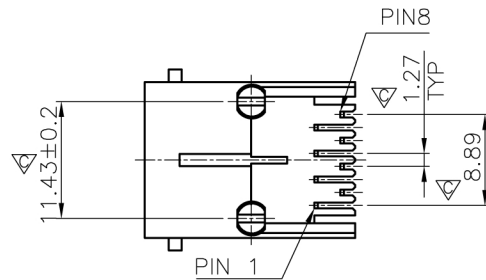
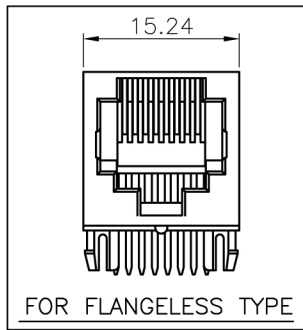
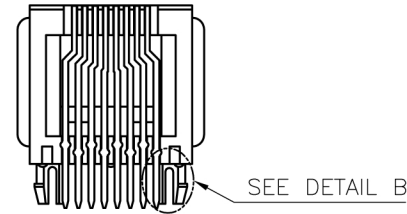
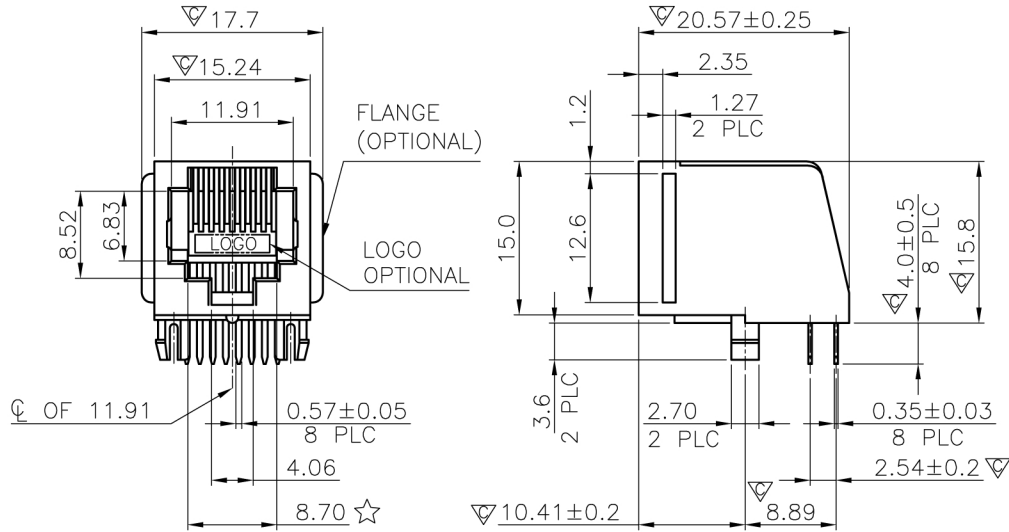
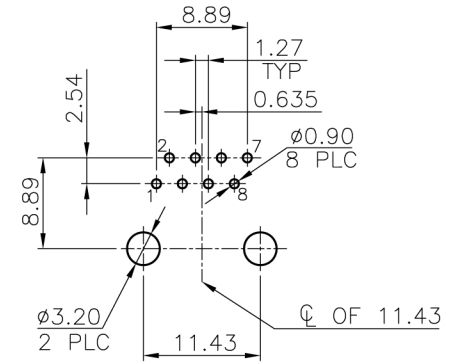


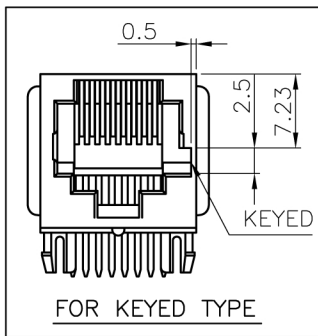
RoHS Compliance



DETAIL B
SCALE 2:1



RECOMMENDED PCB LAYOUT
RECOMMENDED PCB THICKNESS: 1.6mm
TOLERANCE: ±0.05 (TOP VIEW)



LTR	DESCRIPTION	DATE	APVD
REVISIONS			

THIS DRAWING IS A CONTROLLED DOCUMENT. DO NOT SCALE DRAWING.	
DIMENSIONS: MM	TOLERANCES UNLESS OTHERWISE SPECIFIED:
	0 PLC ± -
	1 PLC ± 0.25
THIRD ANGLE PROJECTION	2 PLC ± 0.13
MATERIAL	3 PLC ± 0.05
SEE NOTES	ANGLES ± -
DWN <i>A.HUANG</i>	DATE JAN-18-2010
CHK <i>M.CHANG</i>	JAN-18-2010
APVD <i>W.J.YANG</i>	JAN-19-2010

E-YUNG ENTERPRISE CO., LTD.			
TITLE 8POSITION, 90° (SPLIT PEGS), SIDE ENTRY PCB JACK			
SIZE	CAUGE CODE	DRAWING NO	
A3	-	960203	
WEIGHT	- GRAMS Ref.	REV	SHEET
		3	1