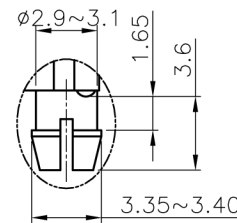
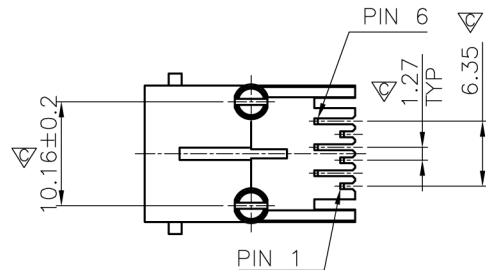
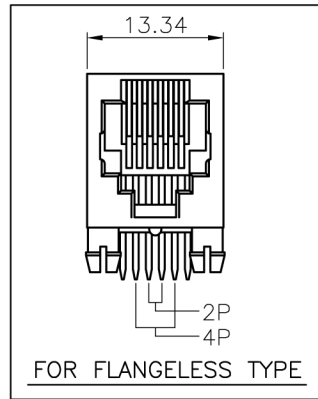
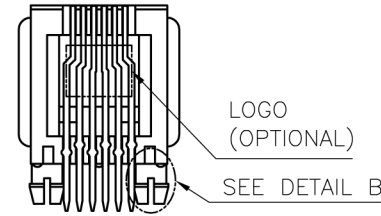
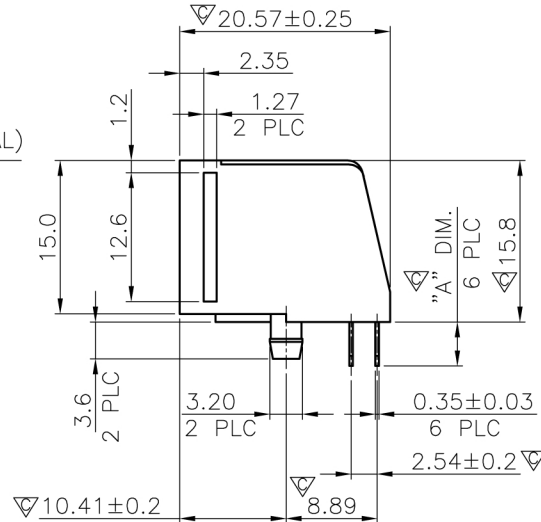
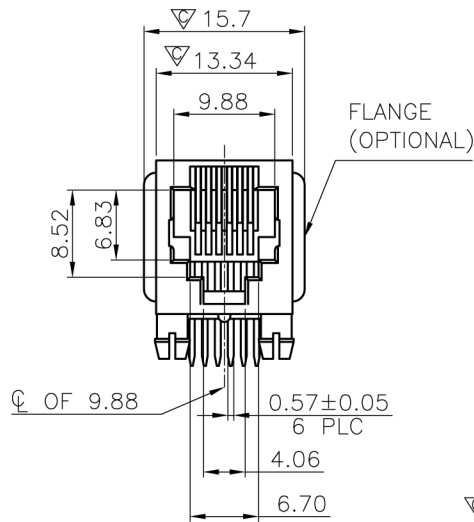
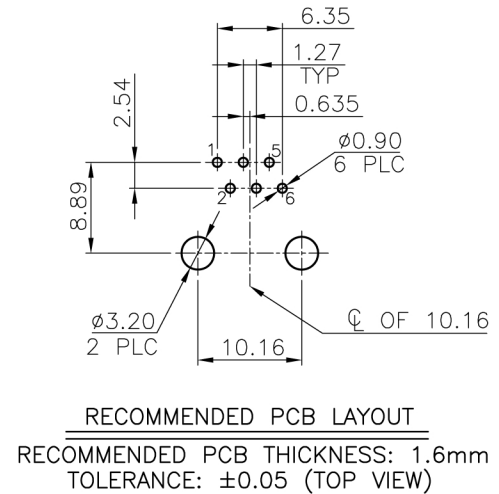


RoHS Compliance



DETAIL B
SCALE 2:1



RECOMMENDED PCB LAYOUT
RECOMMENDED PCB THICKNESS: 1.6mm
TOLERANCE: ±0.05 (TOP VIEW)

THIS DRAWING IS A CONTROLLED DOCUMENT.
DO NOT SCALE DRAWING.

DIMENSIONS: MM TOLERANCES UNLESS OTHERWISE SPECIFIED:

0 PLC ± -
1 PLC ± 0.25
2 PLC ± 0.13
3 PLC ± 0.05
ANGLES ± -

THIRD ANGLE PROJECTION MATERIAL SEE NOTES FINISH SEE NOTES

DWN *A.HUANG* DATE JAN-15-2010
CHK *M.CHANG* JAN-15-2010
APVD *W.J.YANG* JAN-16-2010

E-YUNG ENTERPRISE CO., LTD.				TITLE	
				6POSITION, 90° (SPLIT PEGS), SIDE ENTRY PCB JACK	
SIZE	CAUGE CODE	DRAWING NO		REV	
A3	-	960202		4	SHEET 1
WEIGHT	- GRAMS Ref.			REV	SHEET
				4	1

LTR	DESCRIPTION	DATE	APVD
REVISIONS			