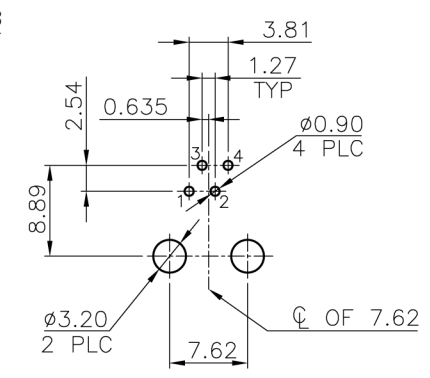
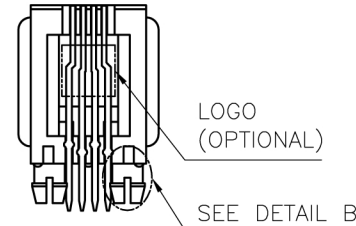
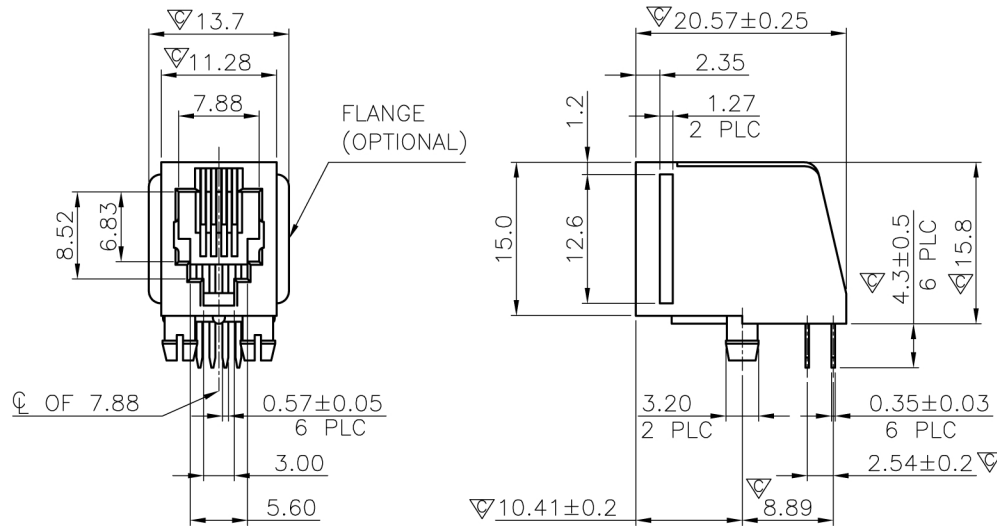
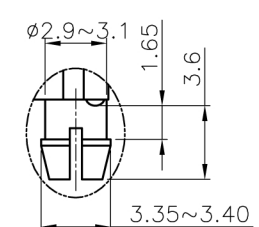


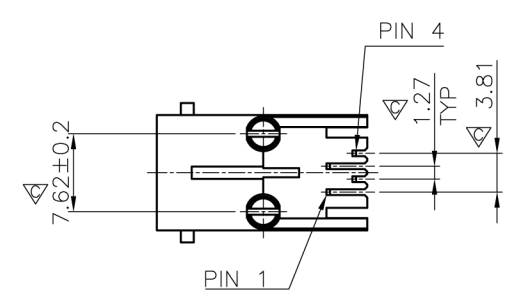
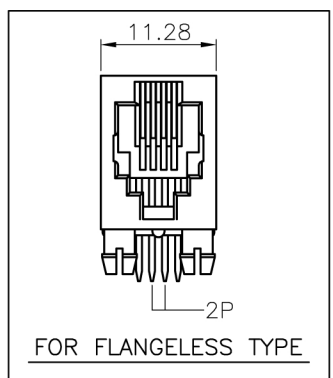
# RoHS Compliance



**RECOMMENDED PCB LAYOUT**  
**RECOMMENDED PCB THICKNESS: 1.6mm**  
**TOLERANCE: ±0.05 (TOP VIEW)**



DETAIL B  
SCALE 2:1



THIS DRAWING IS A CONTROLLED DOCUMENT. DO NOT SCALE DRAWING.	
DIMENSIONS: MM	TOLERANCES UNLESS OTHERWISE SPECIFIED:
	0 PLC ± -
	1 PLC ± 0.25
THIRD ANGLE PROJECTION	2 PLC ± 0.13
MATERIAL	3 PLC ± 0.05
SEE NOTES	ANGLES ± -
DWN <b>A.HUANG</b>	DATE JAN-13-2010
CHK <b>M.CHANG</b>	JAN-13-2010
APVD <b>W.J.YANG</b>	JAN-14-2010

<b>E-YUNG ENTERPRISE CO., LTD.</b>		
TITLE 4POSITION, 90° (SPLIT PEGS), SIDE ENTRY PCB JACK		
SIZE <b>A3</b>	CAUGE CODE -	DRAWING NO <b>960201</b>
WEIGHT -	GRAMS Ref.	REV <b>3</b> SHEET <b>1</b>

LTR	DESCRIPTION	DATE	APVD
REVISIONS			