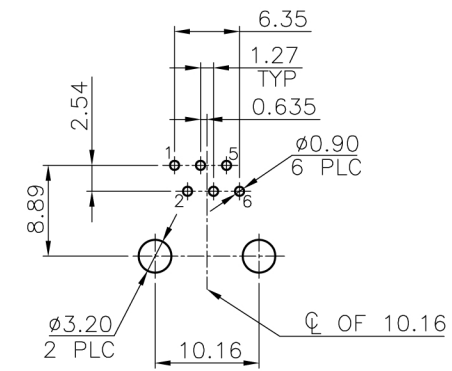
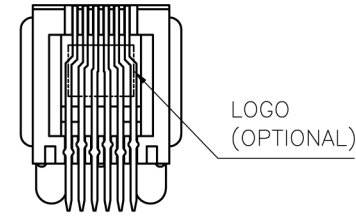
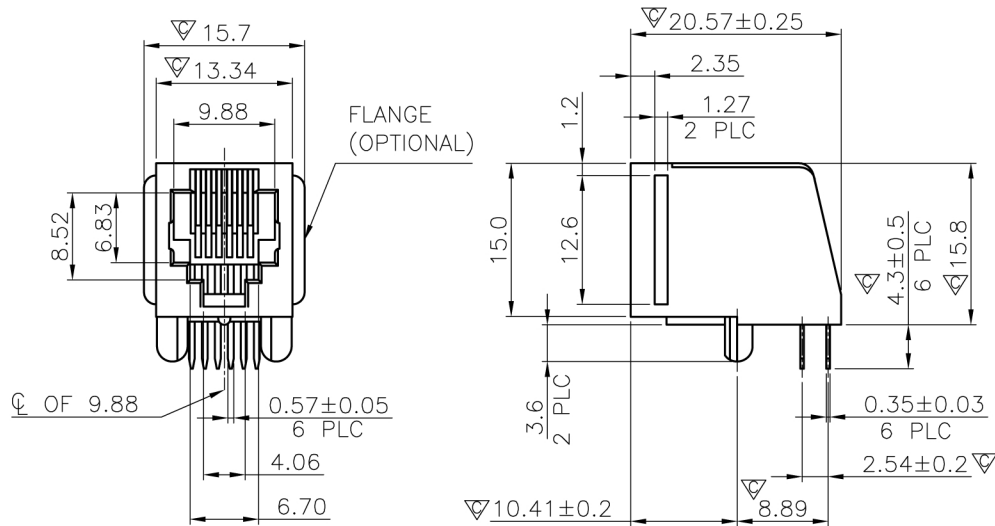
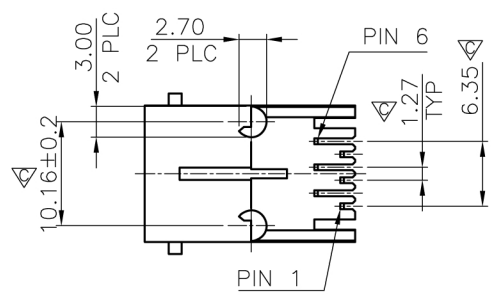
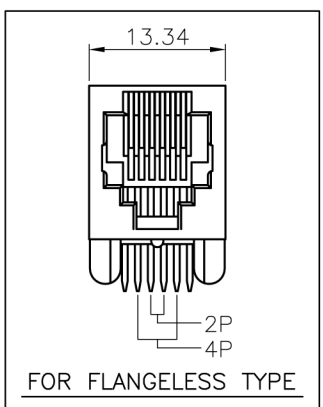


# RoHS Compliance



RECOMMENDED PCB LAYOUT  
 RECOMMENDED PCB THICKNESS: 1.6mm  
 TOLERANCE: ±0.05 (TOP VIEW)



THIS DRAWING IS A CONTROLLED DOCUMENT. DO NOT SCALE DRAWING.	
DIMENSIONS: MM	TOLERANCES UNLESS OTHERWISE SPECIFIED:
 THIRD ANGLE PROJECTION	0 PLC ± -
	1 PLC ± 0.25
	2 PLC ± 0.13
	3 PLC ± 0.05
ANGLES ± -	
MATERIAL SEE NOTES	FINISH SEE NOTES
DWN <i>A.HUANG</i>	DATE JAN-12-2010
CHK <i>M.CHANG</i>	JAN-12-2010
APVD <i>W.J.YANG</i>	JAN-13-2010

<b>E-YUNG ENTERPRISE CO., LTD.</b>		
TITLE 6POSITION, 90° (L PEGS), SIDE ENTRY PCB JACK		
SIZE A3	CAUGE CODE -	DRAWING NO 960102
WEIGHT -	GRAMS Ref.	REV 2 SHEET 1

LTR	DESCRIPTION	DATE	APVD
REVISIONS			