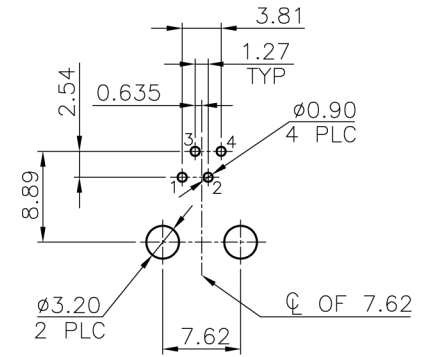
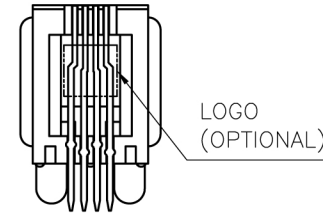
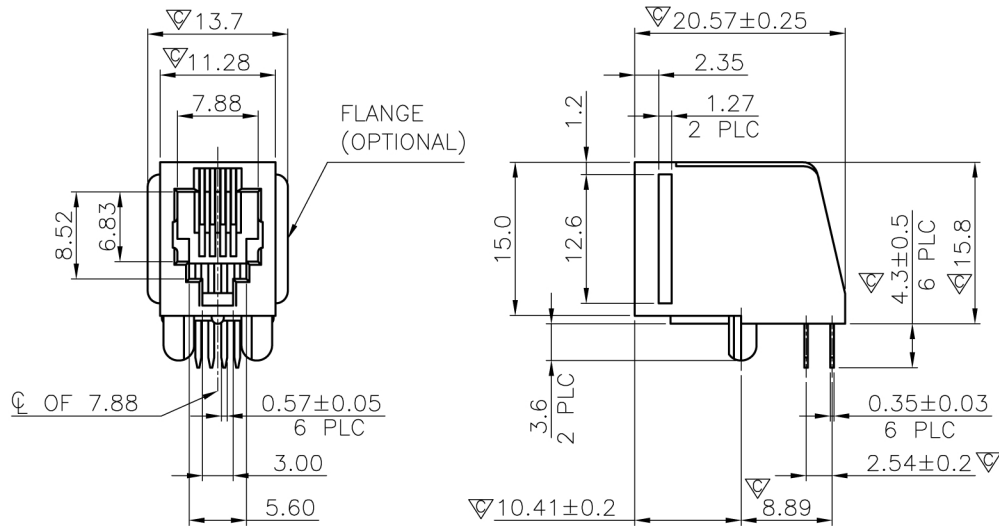
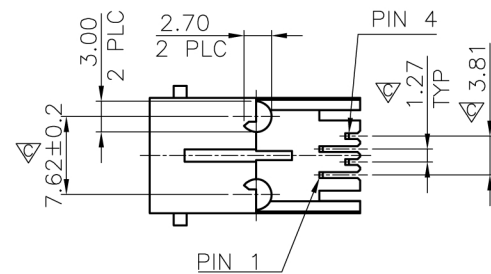
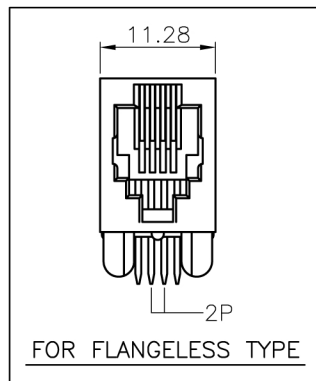


# RoHS Compliance



RECOMMENDED PCB LAYOUT  
 RECOMMENDED PCB THICKNESS: 1.6mm  
 TOLERANCE: ±0.05 (TOP VIEW)



THIS DRAWING IS A CONTROLLED DOCUMENT. DO NOT SCALE DRAWING.	
DIMENSIONS: MM	TOLERANCES UNLESS OTHERWISE SPECIFIED:
 THIRD ANGLE PROJECTION	0 PLC ± -
	1 PLC ± 0.25
MATERIAL	FINISH
SEE NOTES	SEE NOTES
DWN <b>A.HUANG</b>	DATE JAN-12-2010
CHK <b>M.CHANG</b>	JAN-12-2010
APVD <b>W.J.YANG</b>	JAN-13-2010

<b>E-YUNG ENTERPRISE CO., LTD.</b>			
TITLE 4POSITION, 90° (L PEGS), SIDE ENTRY PCB JACK			
SIZE <b>A3</b>	CAUGE CODE -	DRAWING NO <b>960101</b>	
WEIGHT -	GRAMS Ref.		REV 2 SHEET 1

LTR	DESCRIPTION	DATE	APVD
REVISIONS			